



1.General Data

ELECTRICAL CHARACTERISTICS

Filament voltage	-----	3.5 Vac
Filament current	-----	10.0 Aac
Frequency(with matched load)	--	2460MHz
Anode potential	-----	Earth
Filament potential	-----	(-4kV)
Magnet	-----	Ferrite - magnet

MECHANICAL CHARACTERISTICS

Width ----- 73.2mm(2.88inches) max

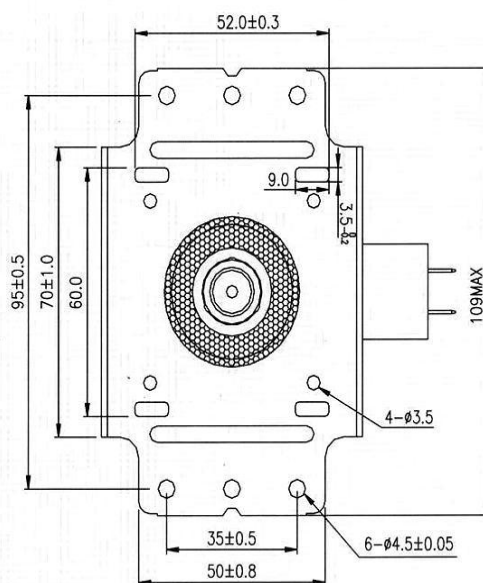
Length ----- 109mm(4.28inches) max.

Height -----126mm(4.96inches) max.

Weigh ----- Approx. 0.8Kg

Mounting position ----- Any

Cooling ----- Forced air



FEATURES

- * Light-weight, compact, and cost-effective construction.
- * Sufficiently suppressed noise spectrum.
- * Stable performance and good reliability

2.Absolute Maximum Ratings

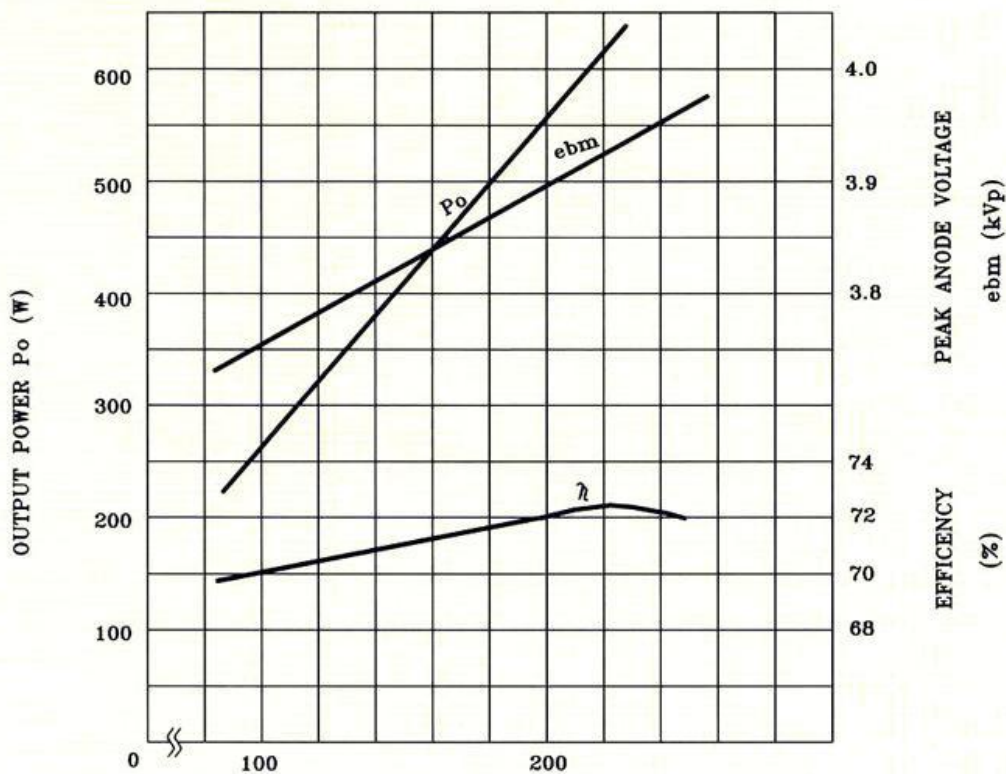
ELECTRICAL CHARACTERISTICS

Performance	Min	Max	Unit
Filament Voltage	3.05	3.95	Vac
Pre-heating Time	0.00	-	Sec
Average Anode Current	-	280.00	mAdc
Peak anode current	-	1000.00	mAp
Average anode input	-	1000.00	W
Load VSWR(continuous)	-	4.00	-
Load VSWR(instantaneous)	-	8.00	-
Anode core temperature	-	300.00	°C
Temperature	-30.00	60.00	°C

3. Typical Operation

OPERATING CONDITIONS

Filament voltage ----- 3.5Vac
 Average anode current # ----- 200mA_{dc}
 Cooling air flow ----- 0.8 m³/min
 # Power supply unit: Half-wave doubler with leakage transformer or full-wave rectifier without filter.



OPERATING CONDITIONS:

Power supply: single phase full - wave Rectifier without filter.
 Load V.S.W.R: $6L < 1.1$ Filament voltage: 3.5v

TYPICAL PERFORMANCE

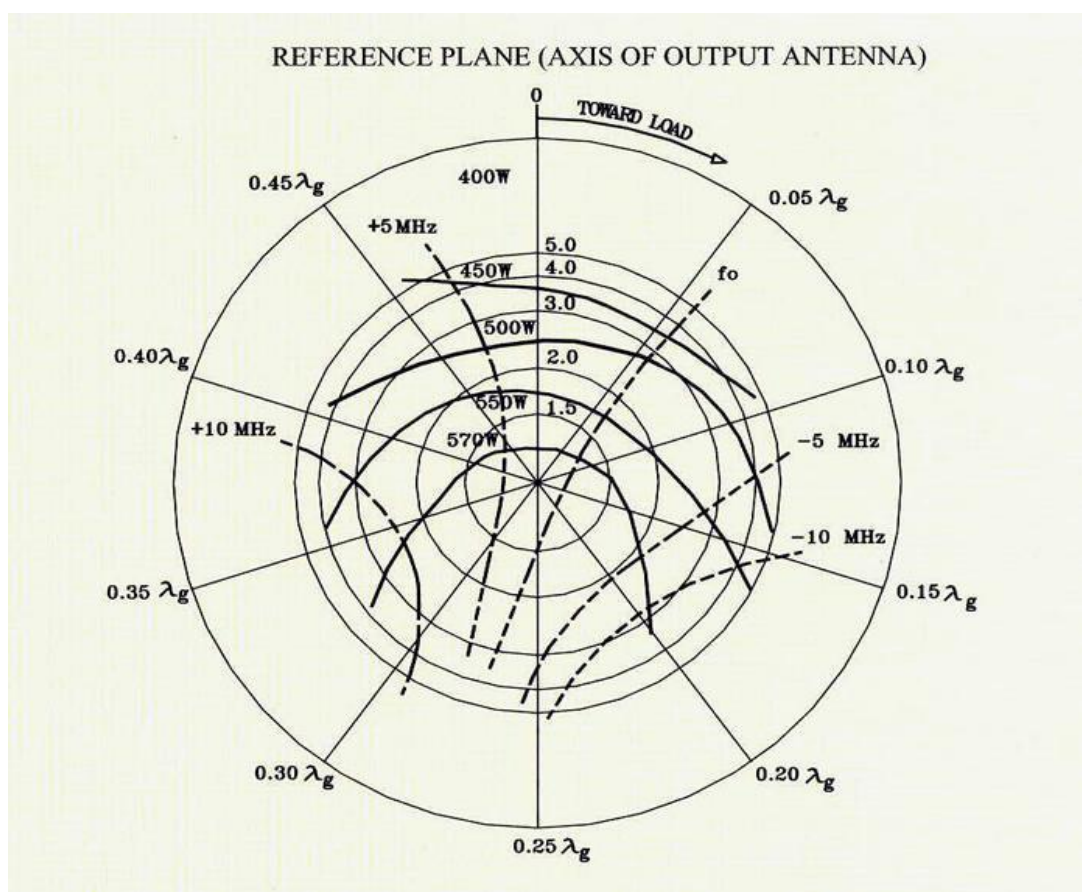
Frequency(matched load) ----- 2460MHz

Peak anode voltage ----- 4.05kVp

Average output power(matched load) 800W

Average output power(in a typical oven) 700W*

*In accordance with IEC Pub. 705 measurement method.



OPERATING CONDITIONS:

Power supply: single phase full - wave Rectifier without filter.

Average anode current 200mA Wave guide: Lg Standard

Lanuncher Output Power(W)

Frequency(fo=2460Mhz)

DIMENSIONAL OUTLINE OF 2M288

