



## 1. General Data

### ELECTRICAL CHARACTERISTICS

Filament voltage	-----	3.15 Vac
Filament current	-----	10.0 Aac
Frequency(with matched load)	--	2460MHz
Anode potential	-----	Earth
Filament potential	-----	(-4kV)
Magnet	-----	Ferrite - magnet

### MECHANICAL CHARACTERISTICS

Width ----- 93.2mm(3.67inches) max.

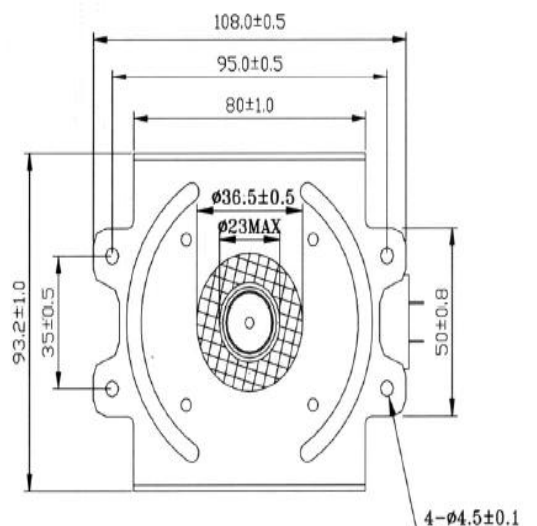
Length ----- 127mm(5.00inches) max.

Height ----- 133mm(5.24inches) max.

Weigh ----- Approx. 0.9Kg

Mounting position ----- Any

Cooling ----- Forced air



### FEATURES

- \* Light-weight, compact, and cost-effective construction.
- \* Sufficiently suppressed noise spectrum.
- \* Stable performance and good reliability
- \* High power output.

## 2.Absolute Maximum Ratings

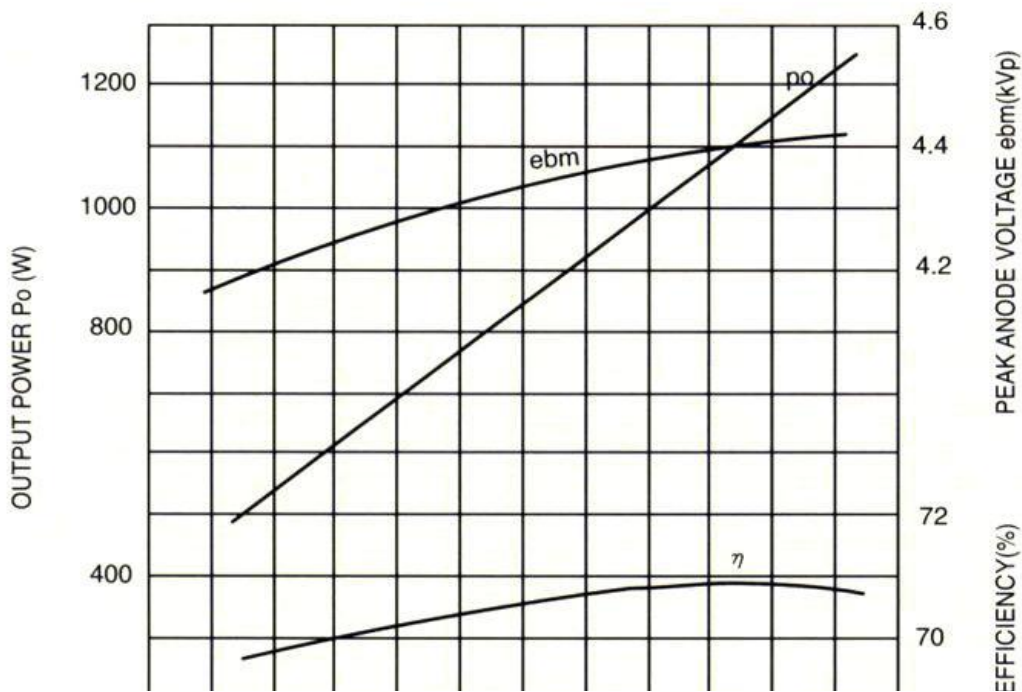
### ELECTRICAL CHARACTERISTICS

Performance	Min	Max	Unit
Filament Voltage	2.85	3.75	Vac
Pre-heating Time	0.00	-	Sec
Average Anode Current	-	380.00	mAdc
Peak anode current	-	1500.00	mAp
Average anode input	-	1700.00	W
Load VSWR(continuous)	-	4.00	-
Load VSWR(instantaneous)	-	8.00	-
Anode core temperature	-	300.00	°C
Temperature	-30.00	60.00	°C

**3. Typical Operation**

**OPERATING CONDITIONS**

Filament voltage ----- 3.15Vac  
 Average anode current # ----- 330mAdc  
 Cooling air flow ----- 1.0 m<sup>3</sup>/min  
 # Power supply unit: Half-wave doubler with leakage transformer or full-wave rectifier without filter.



**OPERATING CONDITIONS:**

Power supply: single phase full - wave Rectifier without filter.  
 Load V.S.W.R: 6L<1.1 Filament voltage: 3.15v

**TYPICAL PERFORMANCE**

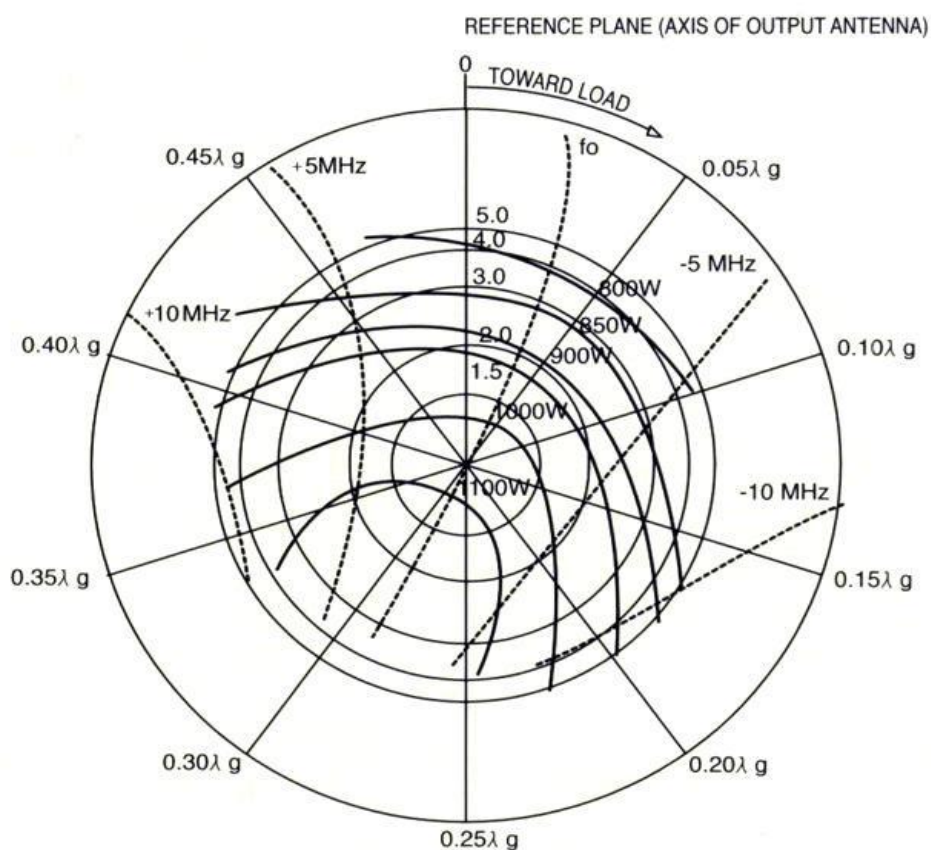
Frequency(matched load) ----- 2460MHz

Peak anode voltage ----- 4.40kVp

Average output power(matched load) 1150W

Average output power(in a typical oven) 1000W\*

\*In accordance with IEC Pub. 705 measurement method.



**OPERATING CONDITIONS:**

Power supply: single phase full - wave Rectifier without filter.

Average anode current 330mA Wave guide: Lg Standard

Lanuncher Output Power(W)

Frequency(fo=2460Mhz)

**DIMENSIONAL OUTLINE OF 2M286**

