

1.General Data

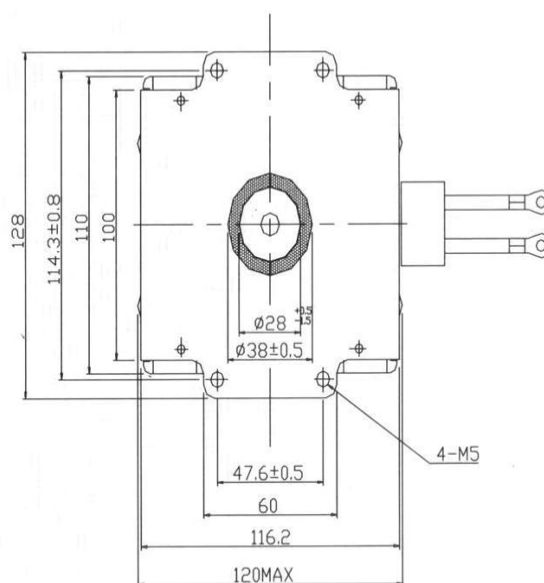
ELECTRICAL CHARACTERISTICS

Filament voltage, Stand-by ----- 4.6 Vac
 Filament voltage, Operation ---- 3.4 Vac
 Filament current ----- 19.5 Aac
 Frequency(with matched load) -- 2455MHz
 Anode potential ----- Earth
 Filament potential ----- (-4kV)
 Magnet ----- Ferrite - magnet



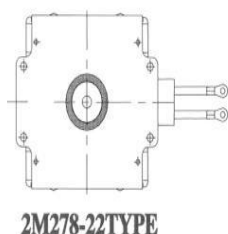
MECHANICAL CHARACTERISTICS

Width ----- 120mm(4.72inches) max.
 Length ----- 128mm(5.04inches) max.
 Height ----- 170mm(6.69inches) max.
 Weigh ----- Approx. 2.7Kg
 Mounting position ----- Any
 Cooling ----- Forced air

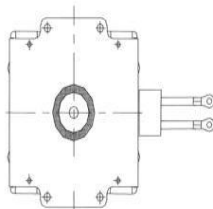


FEATURES

- * High reliability with entirely ceramic-metal sealing.
- * High performance with specially designed refrigerator fin.
- * Stable under wide range of load condition
- * High power output.



2M278-22TYPE



2M278-02TYPE

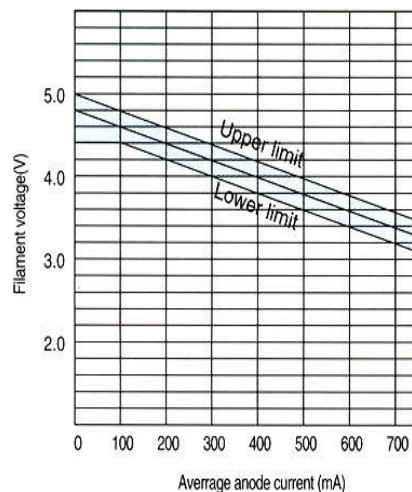


Fig.1 Filament Voltage Reduction Chart

2.Absolute Maximum Ratings

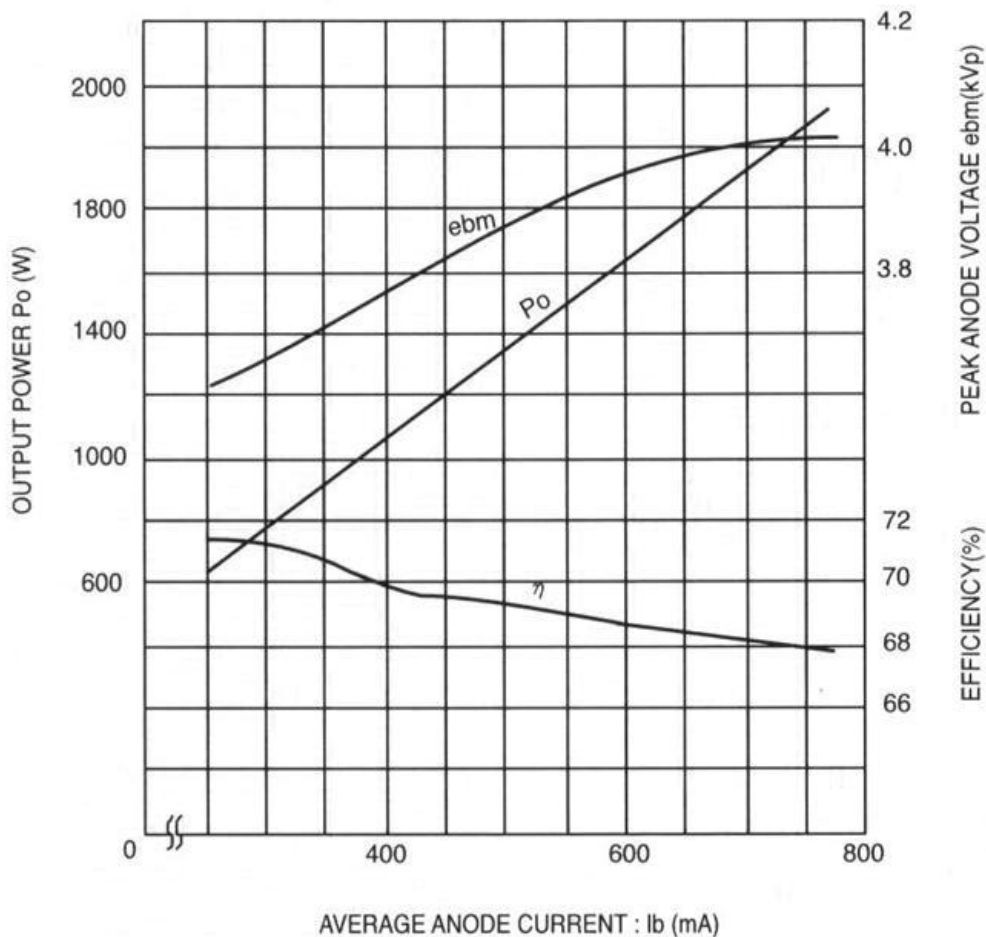
ELECTRICAL CHARACTERISTICS

Performance	Min	Max	Unit
Filament Voltage, Stand-by	4.40	5.00	V
Filament voltage, Operation	(See Fig.1)		V
Pre-heating Time	5.00	-	Sec
Average Anode Current	-	750.00	mAdc
Peak anode current	-	2100.00	mAp
Average anode input	-	2600.00	W
Load VSWR(continuous)	-	4.00	-
Anode core temperature	-	180.00	°C
Storage temperature	-30.00	60.00	°C

3. Typical Operation

OPERATING CONDITIONS

Filament voltage, Stand-by ----- 4.6Vac
 Filament voltage, Operation -----3.4Vac
 Average anode current # ----- 725mAdc
 Cooling air flow ----- 1.5m³/min
 # Power supply unit:Half-wave doubler with leakage
 transformer or full-wave rectifier without filter.

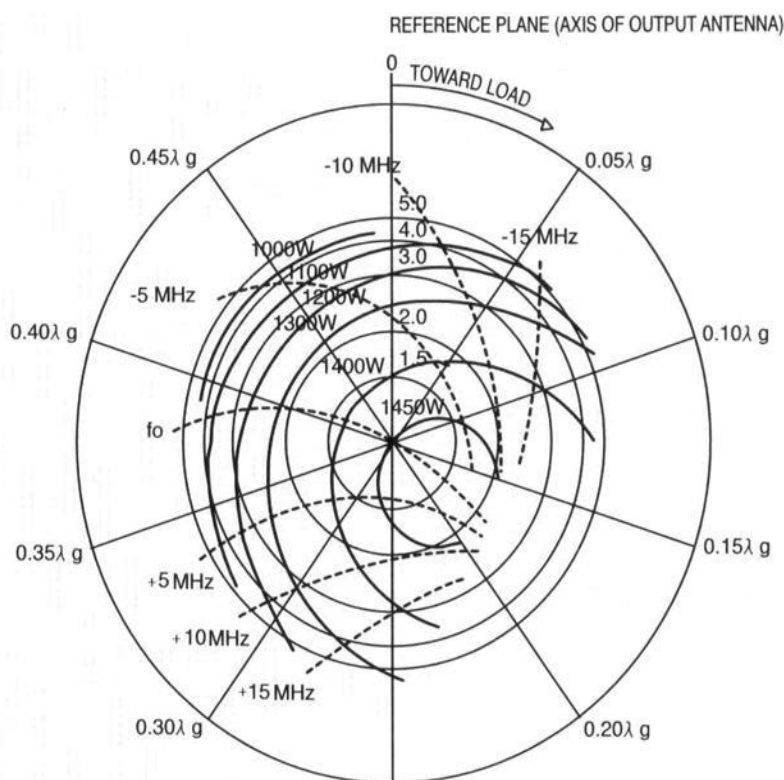


OPERATING CONDITIONS:

Power supply: single phase full - wave Rectifier without filter.
 Load V.S.W.R: $6L < 1.1$ Filament voltage: 4.6v

TYPICAL PERFORMANCE

Frequency(matched load) ----- 2455MHz
 Peak anode voltage ----- 4.00kVp
 Average output power(matched load) 2000W



OPERATING CONDITIONS:

Power supply: single phase full - wave Rectifier without filter.
 Average anode current 450mA Wave guide: Lg Standard
 Lanuncher Output Power(W)
 Frequency(fo=2460Mhz)

DIMENSIONAL OUTLINE OF 2M278

