

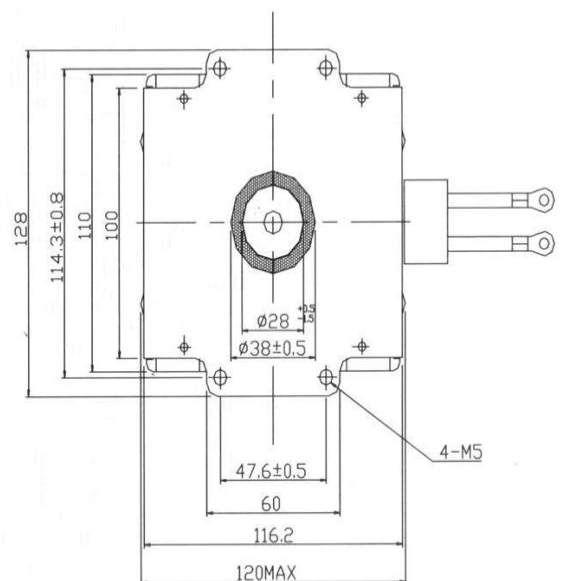
## 1. General Data

### ELECTRICAL CHARACTERISTICS

Filament voltage, Stand-by ----- 4.6 Vac  
 Filament voltage, Operation ---- 3.4 Vac  
 Filament current ----- 19.5 Aac  
 Frequency(with matched load) -- 2455MHz  
 Anode potential ----- Earth  
 Filament potential ----- (-4kV)  
 Magnet ----- Ferrite - magnet

### MECHANICAL CHARACTERISTICS

Width ----- 120mm(4.72inches) max.  
 Length ----- 128mm(5.04inches) max.  
 Height ----- 170mm(6.69inches) max.  
 Weigh ----- Approx. 2.1Kg  
 Mounting position ----- Any  
 Cooling ----- Forced air



**FEATURES**

- \* High reliability with entirely ceramic-metal sealing.
- \* High performance with specially designed refrigerator fin.
- \* Stable under wide range of load condition
- \* High power output.

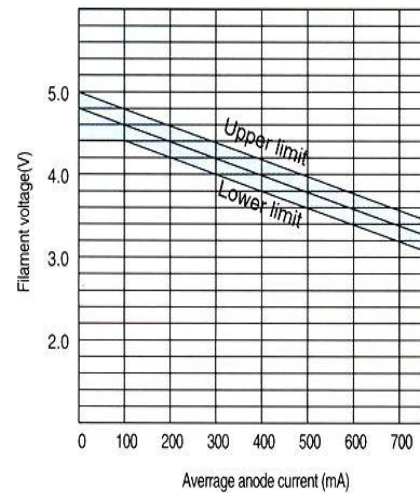
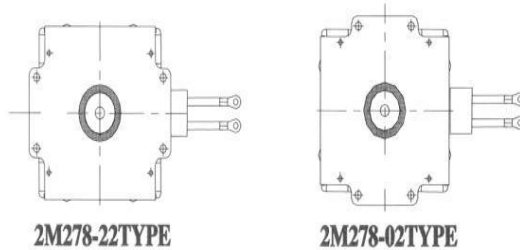


Fig.1 Filament Voltage Reduction Chart

**2.Absolute Maximum Ratings**

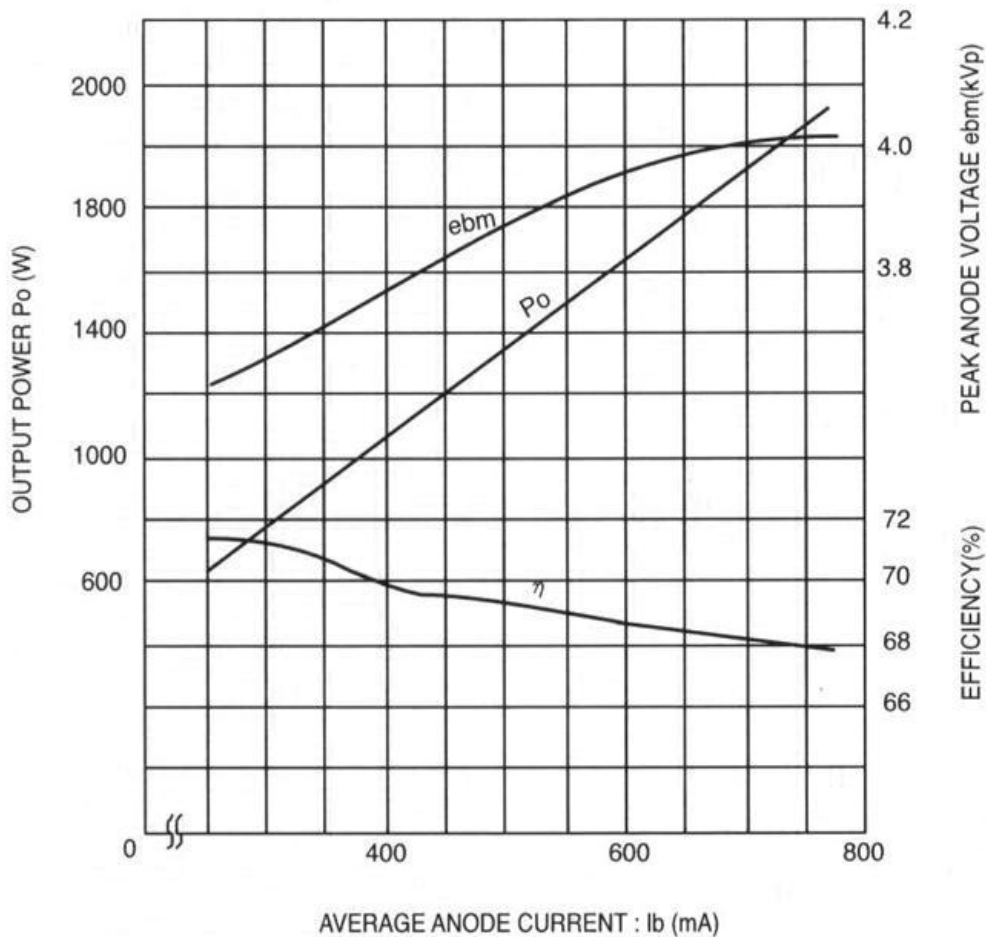
**ELECTRICAL CHARACTERISTICS**

Performance	Min	Max	Unit
Filament Voltage, Stand-by	4.40	5.00	V
Filament voltage, Operation	(See Fig.1)		V
Pre-heating Time	5.00	-	Sec
Average Anode Current	-	750.00	mAdc
Peak anode current	-	2100.00	mAp
Average anode input	-	2600.00	W
Load VSWR(continuous)	-	4.00	-
Anode core temperature	-	180.00	°C
Storage temperature	-30.00	60.00	°C

**3. Typical Operation**

**OPERATING CONDITIONS**

Filament voltage, Stand-by ----- 4.6Vac  
 Filament voltage, Operation -----3.4Vac  
 Average anode current # ----- 725mAdc  
 Cooling air flow ----- 1.5 m<sup>3</sup>/min  
 # Power supply unit: Half-wave doubler with leakage transformer or full-wave rectifier without filter.

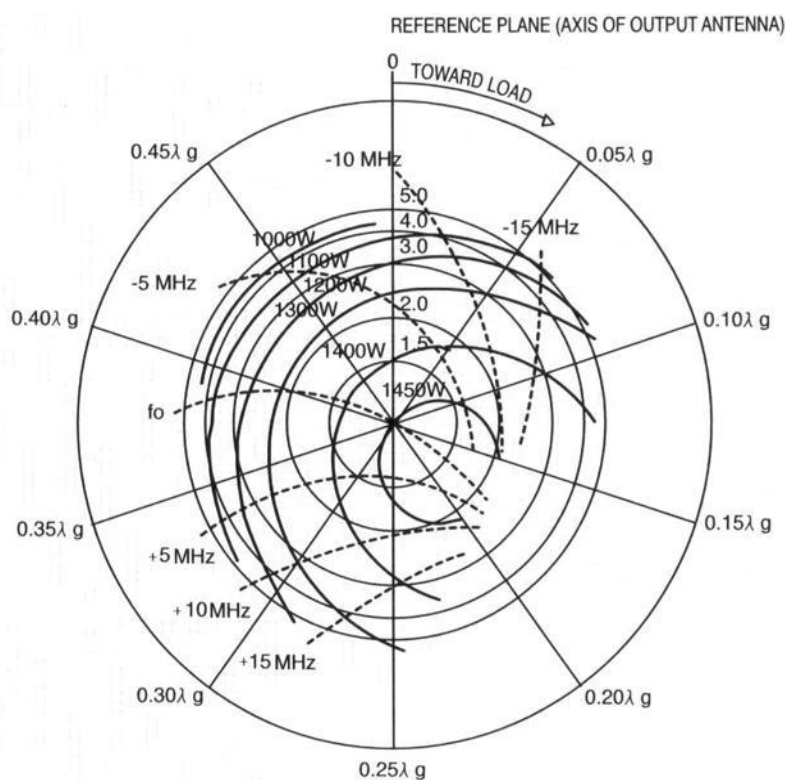


**OPERATING CONDITIONS:**

Power supply: single phase full - wave Rectifier without filter.  
 Load V.S.W.R:  $6L < 1.1$  Filament voltage: 4.6v

**TYPICAL PERFORMANCE**

Frequency(matched load) ----- 2455MHz  
 Peak anode voltage ----- 4.00kVp  
 Average output power(matched load) 2000W



**OPERATING CONDITIONS:**

Power supply: single phase full - wave Rectifier without filter.  
 Average anode current 450mA Wave guide: Lg Standard  
 Lanuncher Output Power(W)  
 Frequency(fo=2460Mhz)

**DIMENSIONAL OUTLINE OF 2M278**

