



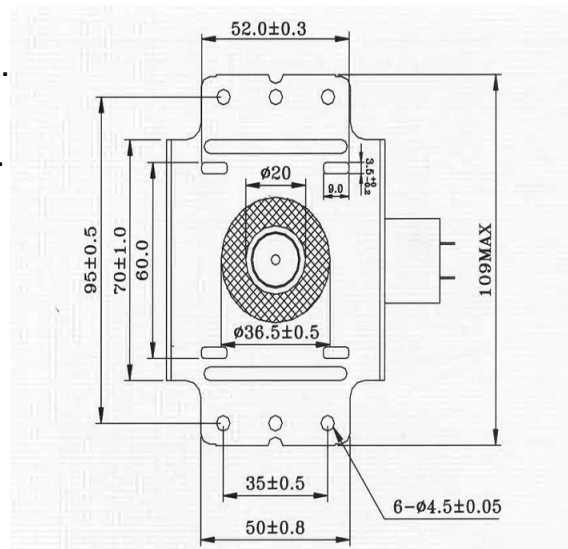
1.General Data

ELECTRICAL CHARACTERISTICS

- Filament voltage ----- 3.5 Vac
- Filament current ----- 10.5 Aac
- Frequency(with matched load) -- 2460MHz
- Anode potential ----- Earth
- Filament potential ----- (-4kV)
- Magnet ----- Ferrite - magnet

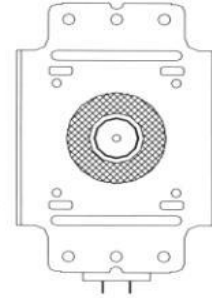
MECHANICAL CHARACTERISTICS

- Width ----- 73.2mm(2.88inches) max.
- Length ----- 109mm(4.28inches) max.
- Height -----126mm(4.96inches) max.
- Weigh ----- Approx. 0.8Kg
- Mounting position ----- Any
- Cooling ----- Forced air



FEATURES

- * Light-weight, compact, and cost-effective construction.
- * Sufficiently suppressed noise spectrum.
- * Stable performance and good reliability



2M213-21TYPE

2.Absolute Maximum Ratings

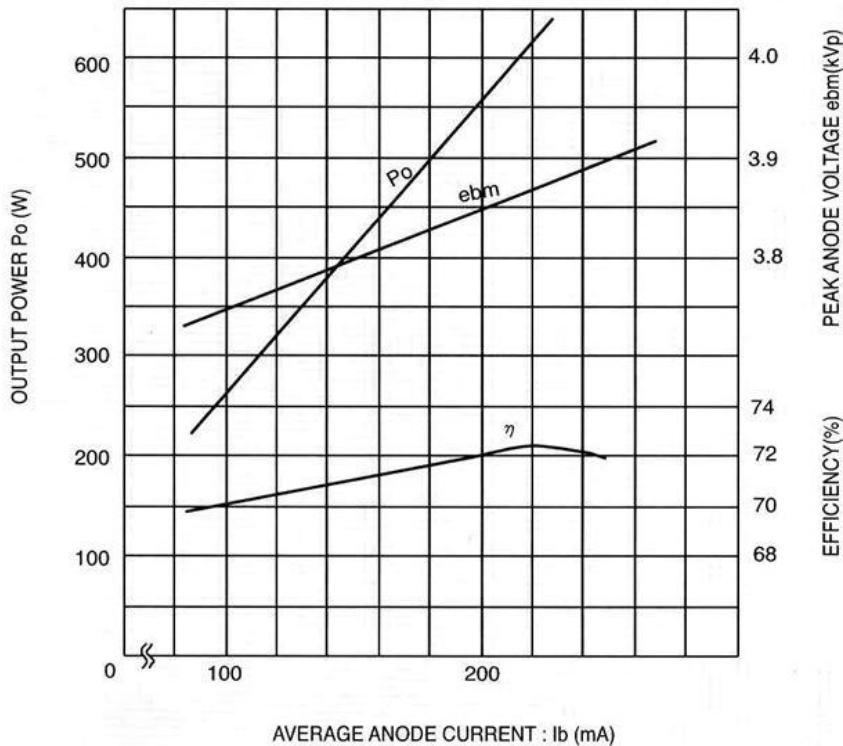
ELECTRICAL CHARACTERISTICS

Performance	Min	Max	Unit
Filament Voltage	3.05	3.95	Vac
Pre-heating Time	0	-	Sec
Average Anode Current	-	280	mAdc
Peak anode current	-	1000	mAp
Average anode input	-	1000	W
Load VSWR(continuous)	-	4	-
Load VSWR(instantaneous)	-	8	-
Anode core temperature	-	300	°C
Temperature	-30	60	°C

3. Typical Operation

OPERATING CONDITIONS

Filament voltage ----- 3.5Vac
 Average anode current # ----- 200mAdc
 Cooling air flow ----- 0.8m³/min
 # Power supply unit: Half-wave doubler with leakage transformer or full-wave rectifier without filter.



OPERATING CONDITIONS:

Power supply: single phase full wave
 Rectifier without filter.
 Load V.S.W.R: ≤ 1.1
 Filament voltage: 3.5v

TYPICAL PERFORMANCE

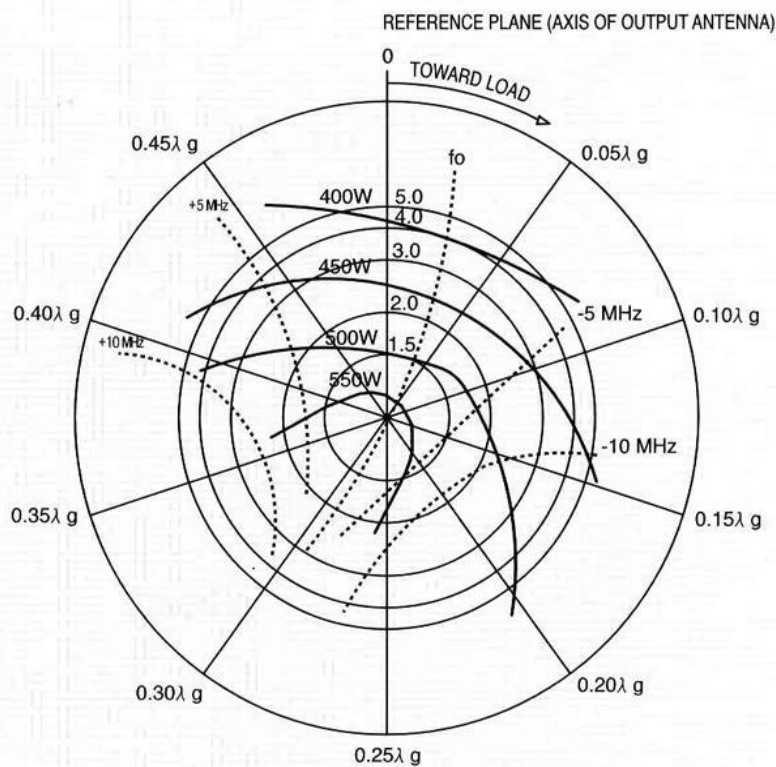
Frequency(matched load) ----- 2460MHz

Peak anode voltage ----- 3.95kVp

Average output power(matched load) 700W

Average output power(in a typical oven) 600W*

*In accordance with IEC Pub. 705 measurement method.



OPERATING CONDITIONS:

Power supply: single phase full - wave

Rectifier Without filter.

Average anode current 200mA

Wave guide: Lg Standard Lanuncher

Output Power(W)

Frequency(fo=2460Mhz)

DIMENSIONAL OUTLINE OF 2M213

