

V-BELT DRIVE SINGLE TYPE CENTRIFUGAL FANS

Characteristics

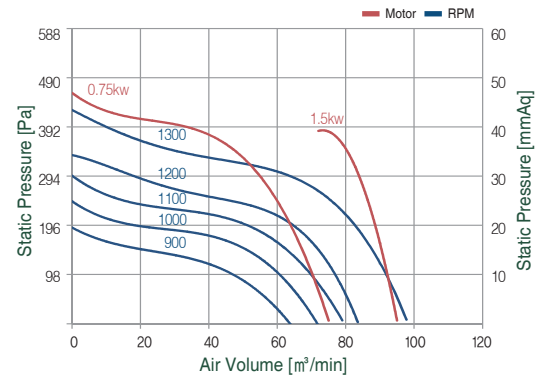
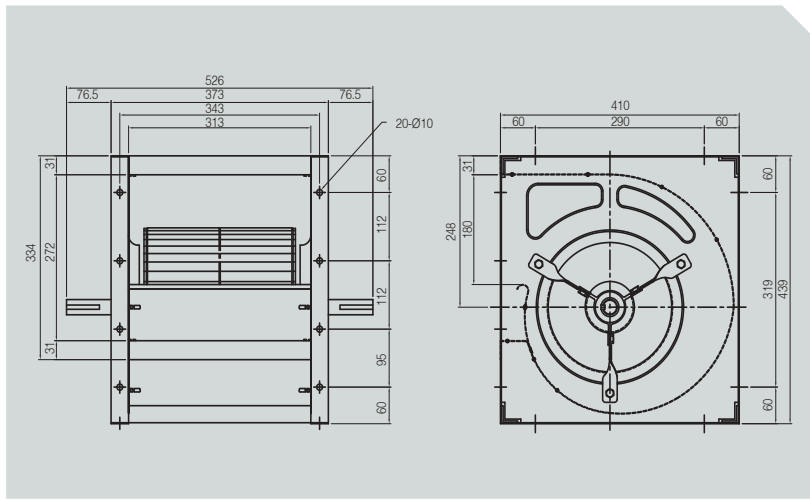
- Various specifications available for choice in accordance to the change of pulley requirements
- Easy installation and handling due to standardization of the structure
- Product longevity extended and level of noise lowered by mounting high-performing bearings
- Vibration and structural strength improved by three-point bearing support system
- Due to structure of the fixed bearing brackets made detachable, repair and A/S made easier



Product data

MODEL	Motor Power		Static Pressure		Air Volume	Page
	kw	HP	Pa	mmAq	m ³ /min	
V-AS110DX1	2.2	3	421	43	98	63p
V-AS122DX1	3.7	5	490	50	135	64p
V-AS155DX1	7.5	10	794	81	275	65p
V-AS188DX1	11	15	960	98	370	66p

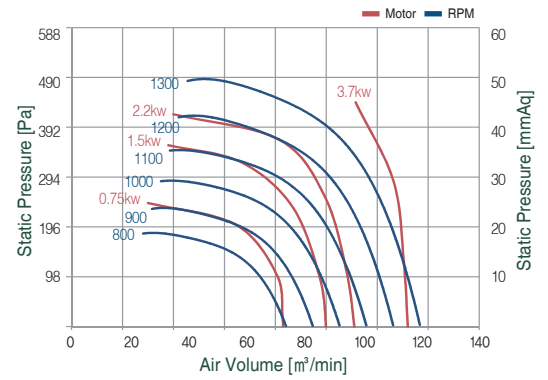
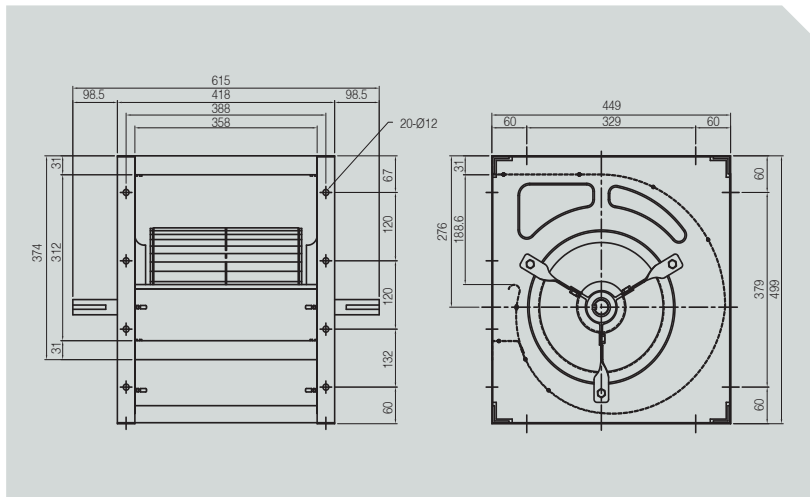
• V-AS110DX1



Rotative speed		Static Pressure							
RPM		98	10	196	20	294	30	392	40
		Pa	mmAq	Pa	mmAq	Pa	mmAq	Pa	mmAq
900	Air Volume	59							
	MOTOR	1							
		0.75							
1000	Air Volume	61		21					
	MOTOR	1		1					
		0.75		0.75					
1100	Air Volume	69		50					
	MOTOR	2		1					
		1.50		0.75					
1200	Air Volume	77		64		18			
	MOTOR	2		1		1			
		1.50		0.75		0.75			
1300	Air Volume	72		82		61		12	
	MOTOR	2		2		2		1	
		1.50		1.50		1.50		0.75	

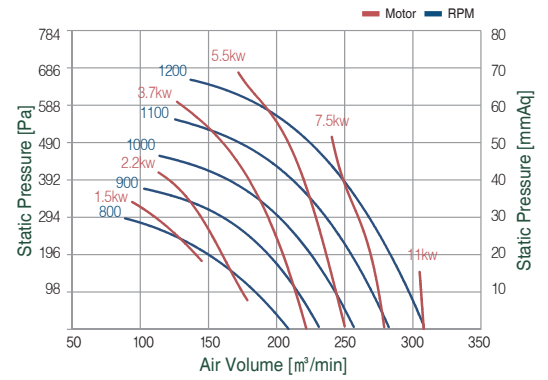
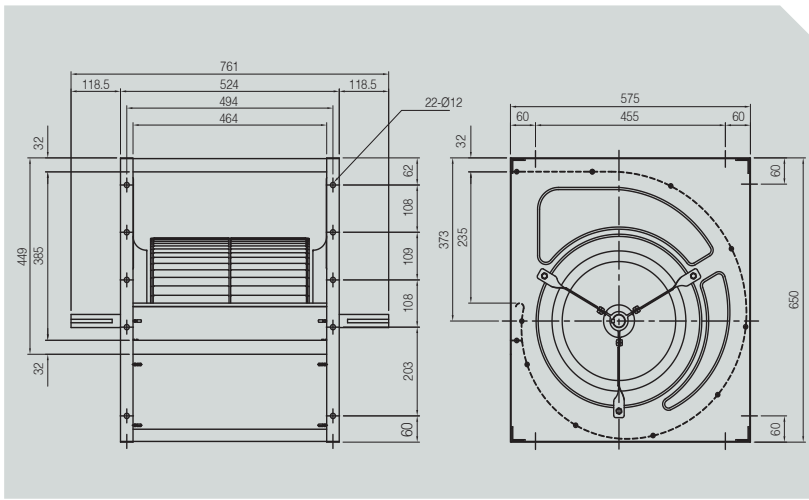
V-BELT DRIVE SINGLE TYPE CENTRIFUGAL FANS

• V-AS122DX1



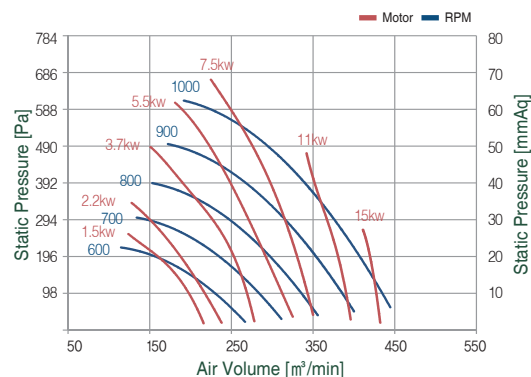
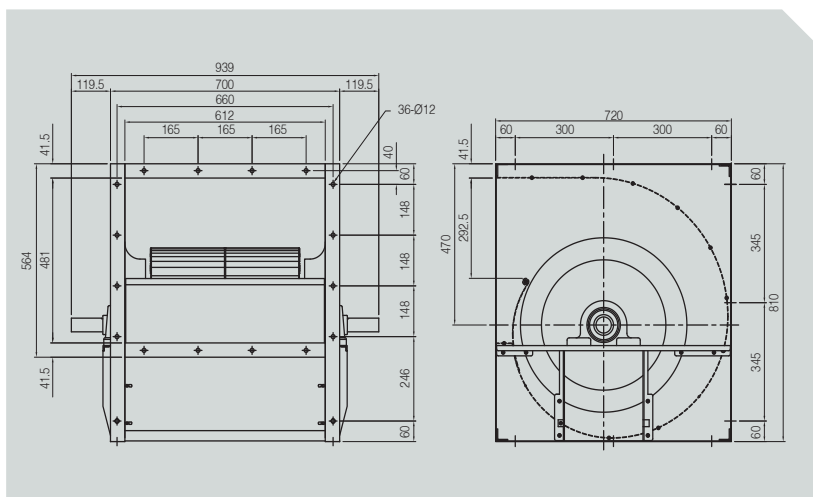
Rotative speed		Static Pressure							
RPM		98	10	196	20	294	30	392	40
		Pa	mmAq	Pa	mmAq	Pa	mmAq	Pa	mmAq
800	Air Volume	76							
	MOTOR	1							
		0.75							
900	Air Volume	87		66					
	MOTOR	2		2					
		1.5		1.5					
1000	Air Volume	97		86					
	MOTOR	2		2					
		1.5		1.5					
1100	Air Volume	108		102		81			
	MOTOR	3		3		3			
		2.2		2.2		2.2			
1200	Air Volume	121		114		102		53	
	MOTOR	5		5		5		5	
		3.7		3.7		3.7		3.7	
1300	Air Volume	132		125		117		101	
	MOTOR	5		5		5		5	
		3.7		3.7		3.7		3.7	

• V-AS155DX1



Rotative speed		Static Pressure															
RPM		98	10	196	20	294	30	392	40	490	50	588	60	686	70	784	80
		Pa	mmAq	Pa	mmAq	Pa	mmAq	Pa	mmAq	Pa	mmAq	Pa	mmAq	Pa	mmAq	Pa	mmAq
800	Air Volume	183		151		90											
	MOTOR	HP		3		2											
	MOTOR	kw		2.2		1.5											
900	Air Volume	216		192		121		38									
	MOTOR	HP		5		5		2									
	MOTOR	kw		3.7		3.7		1.5									
1000	Air Volume	243		226		200		158		38							
	MOTOR	HP		7.5		7.5		5		5		3					
	MOTOR	kw		5.5		5.5		3.7		3.7		2.2					
1100	Air Volume	271		258		234		211		165		43		10			
	MOTOR	HP		10		10		10		7.5		7.5		5		5	
	MOTOR	kw		7.5		7.5		7.5		5.5		5.5		3.7		3.7	
1200	Air Volume							246		224		188		54		18	
	MOTOR	HP								10		10		10		7.5	
	MOTOR	kw								7.5		7.5		7.5		5.5	

• V-AS188DX1



Rotative speed		Static Pressure											
RPM		98	10	196	20	294	30	392	40	490	50	588	60
		Pa	mmAq	Pa	mmAq	Pa	mmAq	Pa	mmAq	Pa	mmAq	Pa	mmAq
600	Air Volume	230		155									
	MOTOR	5		2									
	HP	3.7		1.5									
700	Air Volume	283		234		145							
	MOTOR	7.5		5.0		3							
	HP	5.5		3.7		2.2							
800	Air Volume	333		294		244		152					
	MOTOR	10		10		7.5		5					
	HP	7.5		7.5		5.5		3.7					
900	Air Volume	386		353		320		270		180			
	MOTOR	15		15		10		10		7.5			
	HP	11		11		7.5		7.5		5.5			
1000	Air Volume	338		295		222							
	MOTOR	15		15		10							
	HP	11		11		7.5							