

STANDARD AIR CURTAINS

Characteristics

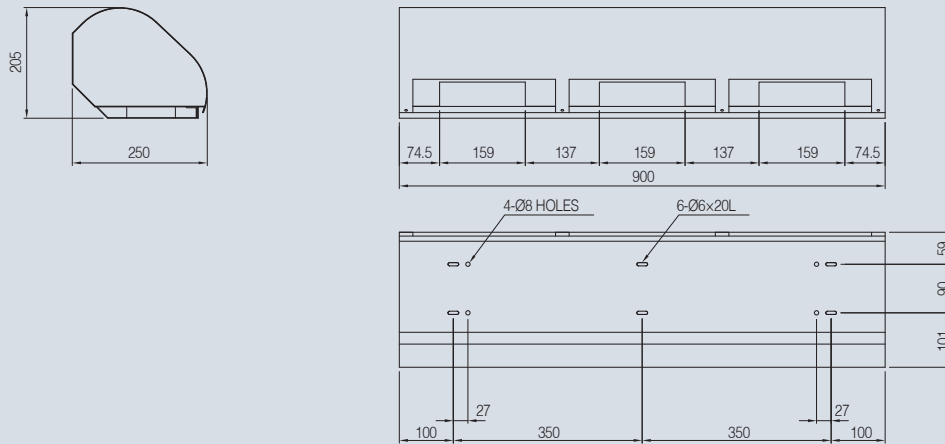
- Heating and cooling efficiency preserved and foreign materials and contaminants prevented from being transferred into the building at the entrance
- 3D design of intake and discharge part
- Excellence in shielding outside air through removal of spreading phenomenon of the wind
- Optimized design of the inlet structure
- Sensor mounted to enable function of remote control and opening/ closing of the gate



Product data

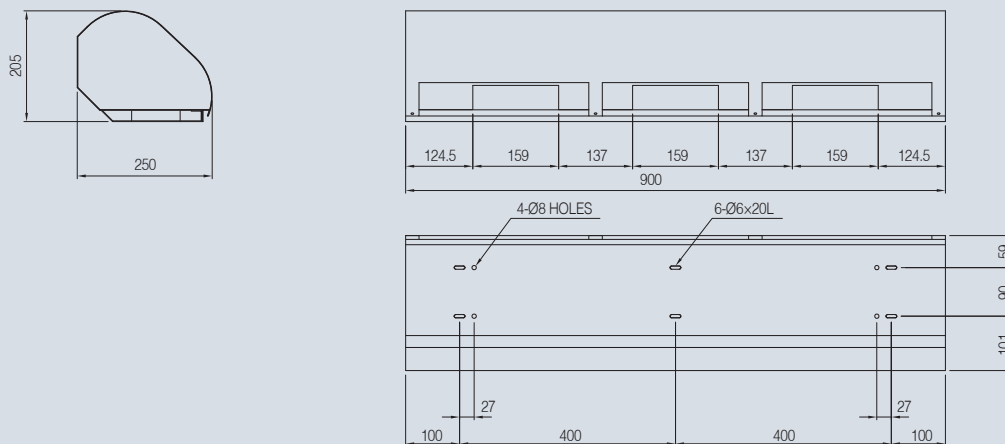
MODEL	Power source		Air Speed	Air Volume	Rotative speed	Input power	Page
	Phase	V	m/s	CMM	RPM	W	
KAC-120-900	φ 1	220	15.5	19.5	1820	360	163p
KAC-120-1000			15.5	21.6	1810	360	
KAC-120-1200			15.5	28.8	1950	460	164p
KAC-120-1500			15.5	36.0	2000	470	
KAC-120-2000			15.5	39.1	2010	690	

• KAC-120-900



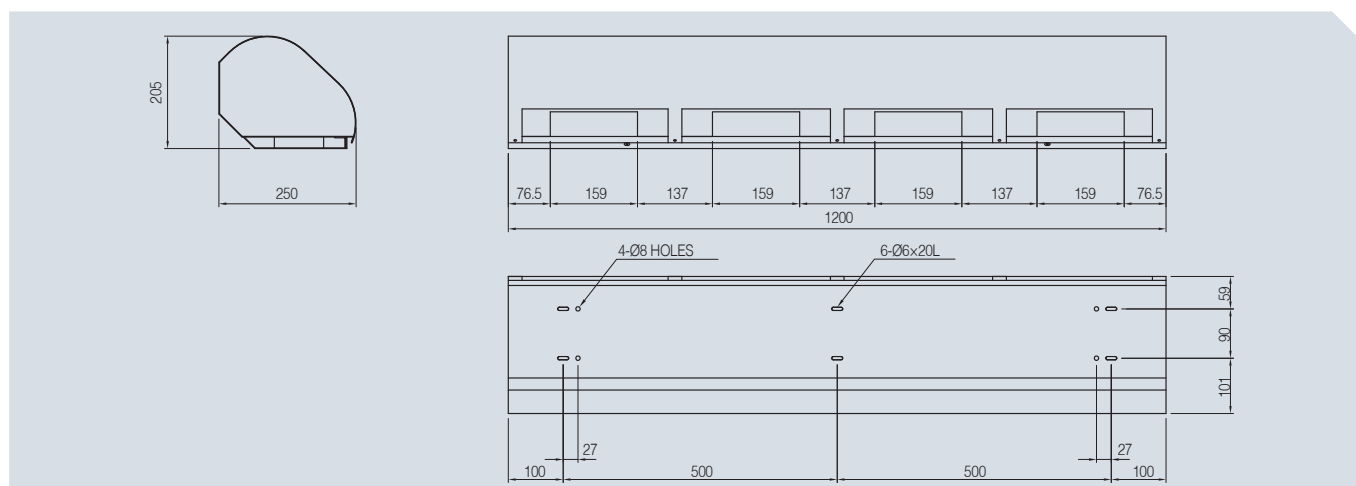
Power source			SPEED	Air Speed	Air Volume	Input power	Current	Rotative speed	Noise
Phase	V	Hz	STEP	m/s	m ³ /min	W	A	RPM	dB
∅ 1	220	60Hz	HI	15.5	19.5	360	1.7	1820	65.1
			ME	13.5	16.9	290	1.4	1660	60.9
			LO	12.0	15.0	260	1.3	1410	57.3
∅ 1	220	50Hz	HI	15.5	19.5	330	1.5	1960	67.0
			ME	13.7	16.9	280	1.3	1780	62.1
			LO	12.5	15.6	240	1.2	1530	59.1

• KAC-120-1000



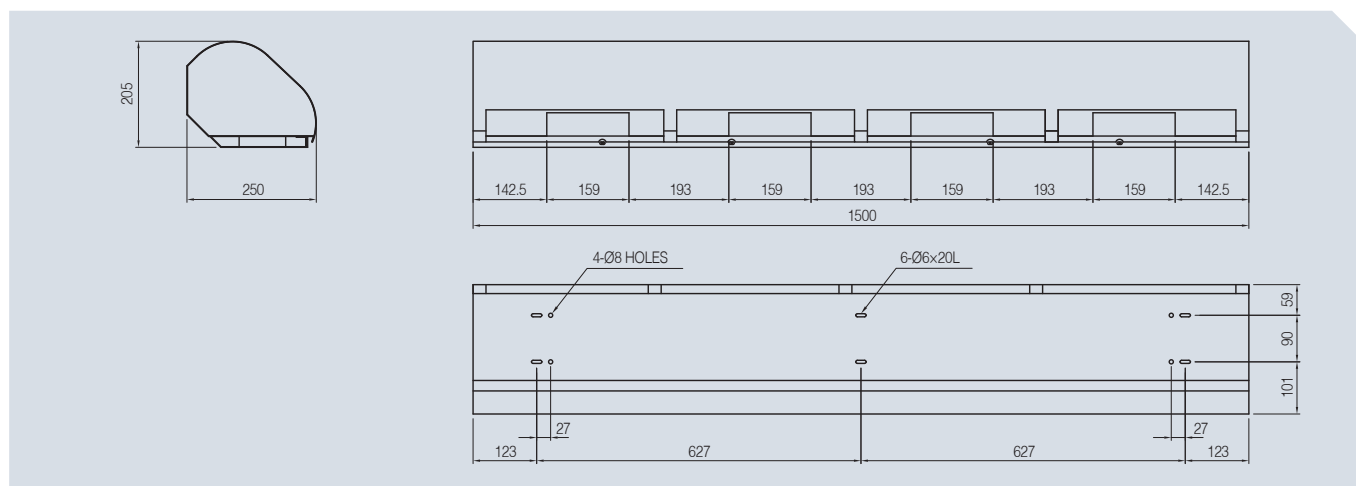
Power source			SPEED	Air Speed	Air Volume	Input power	Current	Rotative speed	Noise
Phase	V	Hz	STEP	m/s	m ³ /min	W	A	RPM	dB
∅ 1	220	60Hz	HI	15.5	21.6	360	1.7	1810	65.4
			ME	13.5	18.8	290	1.4	1650	61.5
			LO	12.0	16.7	260	1.3	1400	57.7
∅ 1	220	50Hz	HI	15.5	21.6	330	1.5	1960	67.4
			ME	13.7	18.8	280	1.3	1770	62.8
			LO	12.5	17.3	240	1.2	1530	59.5

• KAC-120-1200



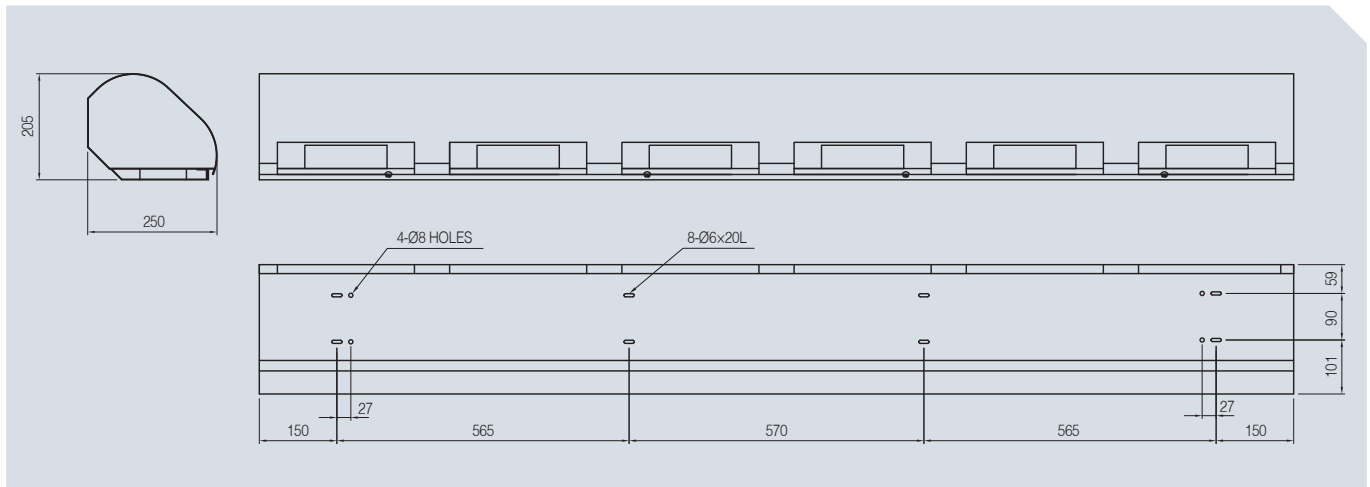
Power source			SPEED	Air Speed	Air Volume	Input power	Current	Rotative speed	Noise
Phase	V	Hz	STEP	m/s	m ³ /min	W	A	RPM	dB
∅ 1	220	60Hz	HI	15.5	28.8	460	2.1	1950	66.6
			ME	13.5	25.1	380	1.9	1690	63.5
			LO	12.0	22.3	330	1.7	1490	59.8
∅ 1	220	50Hz	HI	15.5	28.8	420	1.9	2100	68.6
			ME	13.7	25.1	360	1.7	1810	64.8
			LO	12.5	23.1	310	1.6	1620	61.7

• KAC-120-1500



Power source			SPEED	Air Speed	Air Volume	Input power	Current	Rotative speed	Noise
Phase	V	Hz	STEP	m/s	m ³ /min	W	A	RPM	dB
∅ 1	220	60Hz	HI	15.5	36.0	470	2.2	2000	66.2
			ME	13.5	31.4	380	1.9	1750	62.4
			LO	12.0	27.9	330	1.7	1530	59.1
∅ 1	220	50Hz	HI	15.5	36.0	430	2.0	2160	68.2
			ME	13.7	31.4	360	1.7	1870	63.7
			LO	12.5	28.9	310	1.6	1670	61.0

• KAC-120-2000



Power source			SPEED	Air Speed	Air Volume	Input power	Current	Rotative speed	Noise
Phase	V	Hz	STEP	m/s	m³/min	W	A	RPM	dB
∅ 1	220	60Hz	HI	15.5	39.1	695	3.2	2010	67
			ME	13.7	34.2	560	2.8	1750	64
			LO	12.5	29.4	490	2.5	1540	60.5
∅ 1	220	50Hz	HI	15.5	39.0	630	2.9	2170	68.9
			ME	13.8	34.7	520	2.5	1870	65.2
			LO	12.2	30.7	470	2.3	1680	62.3