

STANDARD AIR CURTAINS WITH FILTER

Characteristics

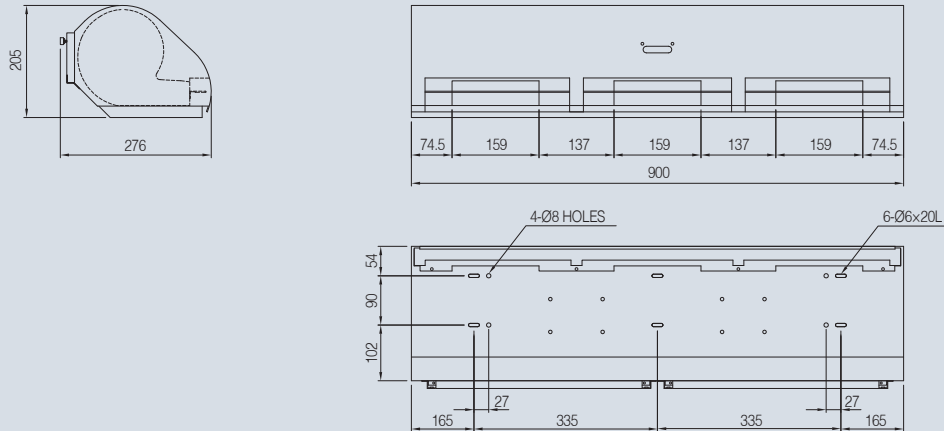
- Heating and cooling efficiency preserved and foreign materials and contaminants prevented from being transferred into the building at the entrance by a filter mounted at inlet of standard air curtains
- 3D design of intake and discharge part
- Excellence in shielding outside air through removal of spreading phenomenon of the wind
- Optimized design of the inlet structure applied
- Sensor mounted to enable function of remote control and opening/ closing of the gate
- Permanently used with the exchange of filters



Product data

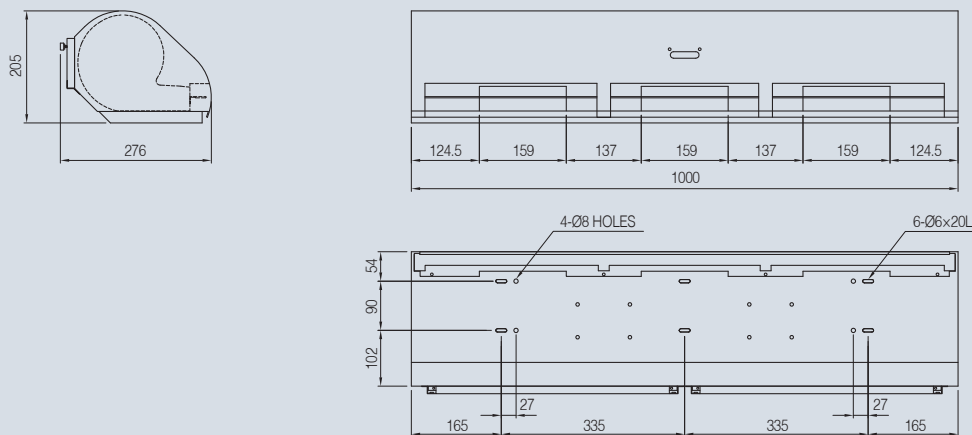
MODEL	Power source		Air Speed	Air Volume	Rotative speed	Input power	Page
	Phase	V	m/s	CMM	RPM	W	
KAC-120-900F	φ 1	220	14.9	18.7	1890	360	171p
KAC-120-1000F			14.5	20.2	1890	360	
KAC-120-1200F			13.5	25.0	1970	470	172p
KAC-120-1500F			15.0	34.8	1850	490	

• KAC-120-900F



Power source			SPEED	Air Speed	Air Volume	Input power	Current	Rotative speed	Noise
Phase	V	Hz	STEP	m/s	CMM	W	A	RPM	dB
∅ 1	220	60Hz	HI	14.9	18.7	360	1.7	1890	63.0
			ME	12.0	15.0	300	1.5	1610	57.1
			LO	10.7	13.4	260	1.3	1400	54.4
∅ 1	220	50Hz	HI	14.9	18.7	330	1.5	1970	65.0
			ME	12.2	15.0	280	1.3	1730	59.0
			LO	11.2	14.0	240	1.2	1540	56.2

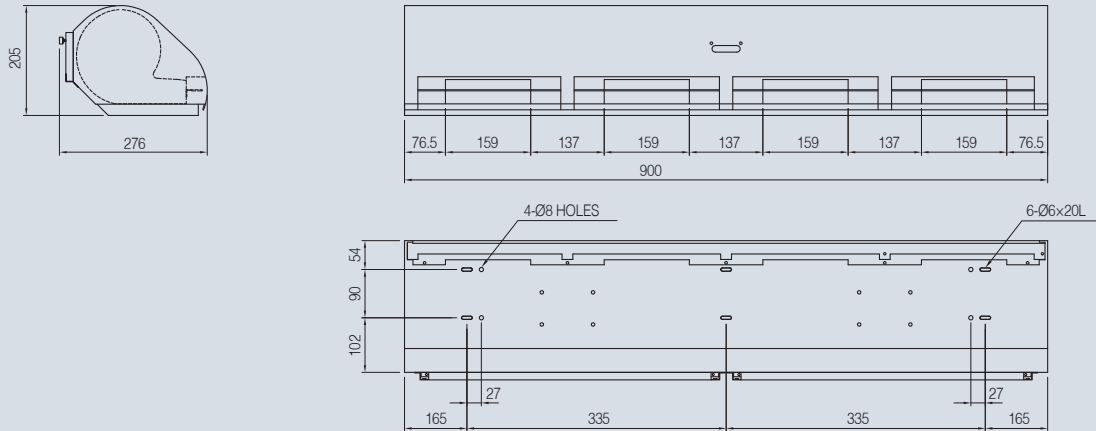
• KAC-120-1000F



Power source			SPEED	Air Speed	Air Volume	Input power	Current	Rotative speed	Noise
Phase	V	Hz	STEP	m/s	CMM	W	A	RPM	dB
∅ 1	220	60Hz	HI	14.5	20.2	360	1.7	1890	62.0
			ME	12.5	17.4	300	1.5	1610	57.0
			LO	11.0	15.3	270	1.3	1400	53.0
∅ 1	220	50Hz	HI	14.5	20.2	330	1.5	1970	64.0
			ME	12.7	17.4	280	1.3	1740	58.9
			LO	11.5	15.9	250	1.2	1530	55.3

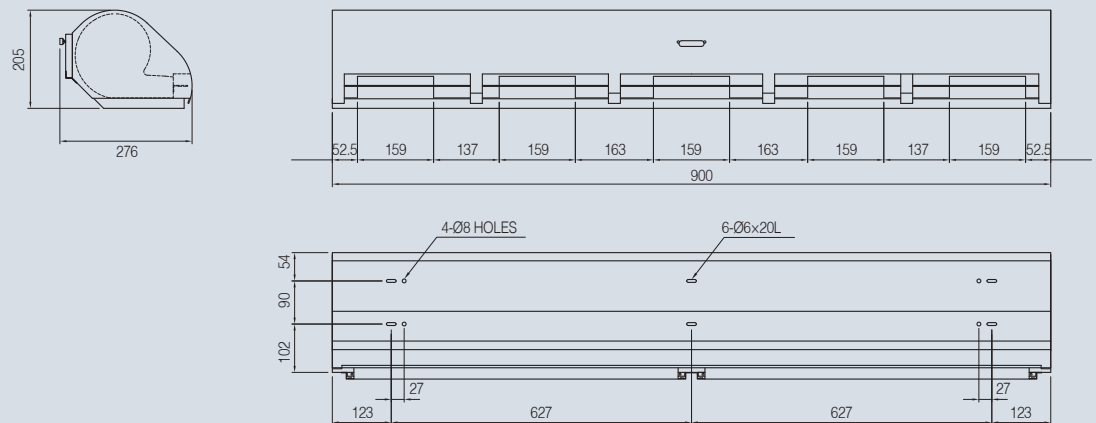
STANDARD AIR CURTAINS
WITH FILTER

• KAC-120-1200F



Power source			SPEED	Air Speed	Air Volume	Input power	Current	Rotative speed	Noise
Phase	V	Hz	STEP	m/s	CMM	W	A	RPM	dB
∅ 1	220	60Hz	HI	13.5	25.0	470	2.2	1970	63.0
			ME	12.0	22.3	380	1.9	1710	60.0
			LO	10.0	18.6	330	1.7	1470	55.0
∅ 1	220	50Hz	HI	13.5	25.0	430	2.0	2200	65.0
			ME	12.2	22.4	370	1.8	1830	61.5
			LO	10.5	19.4	310	1.6	1600	57.2

• KAC-120-1500F



Power source			SPEED	Air Speed	Air Volume	Input power	Current	Rotative speed	Noise
Phase	V	Hz	STEP	m/s	CMM	W	A	RPM	dB
∅ 1	220	60Hz	HI	15.0	34.8	490	2.3	1850	65.4
			ME	12.5	29.0	400	1.9	1530	59.6
			LO	10.4	24.2	350	1.7	1380	55.9
∅ 1	220	50Hz	HI	15.0	34.8	450	2.0	2020	67.3
			ME	12.7	29.1	370	1.8	1650	60.9
			LO	10.9	25.2	330	1.7	1500	57.8