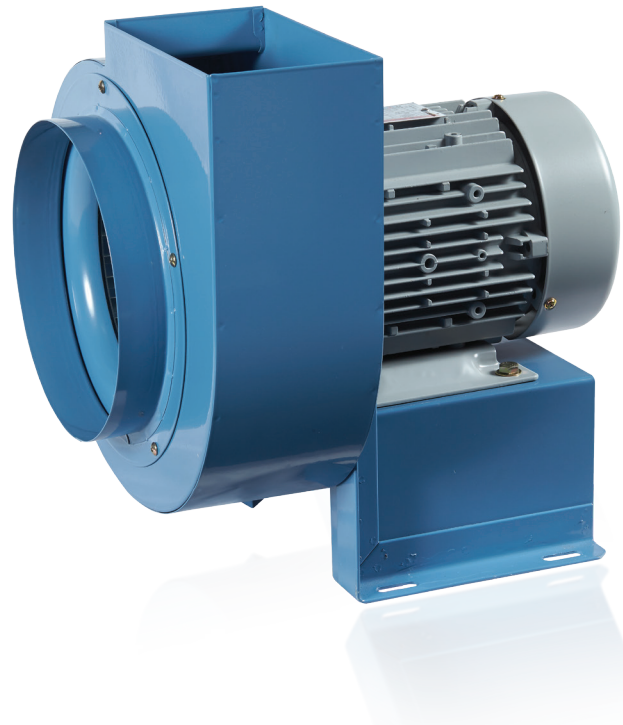


# SINGLE INLET FANS

## Characteristics

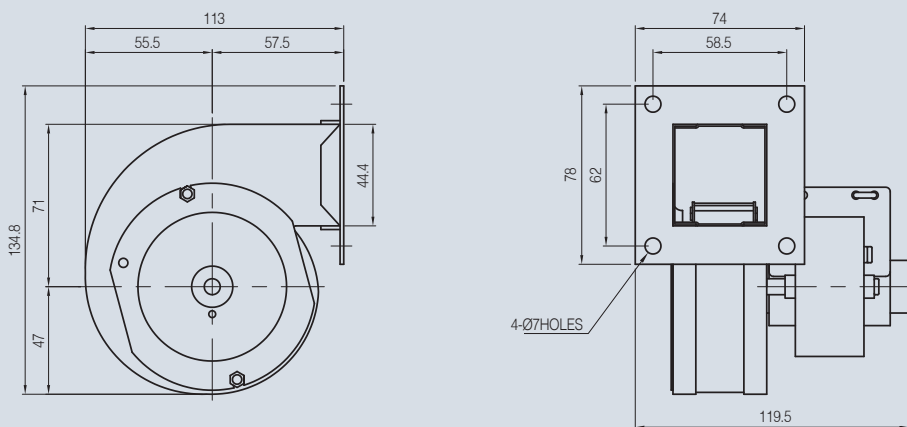
- The most widely used fan in general air transport system
- Air volume and static pressure maximized with the adoption of high efficiency motor
- Handling and installation made easier; and less area needed for set-up
- Various options available as per wider range of product family



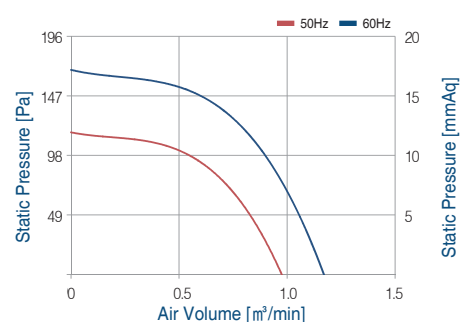
## Product data

MODEL	Motor Power		Static Pressure		Air Volume	Page
	kw	HP	Pa	mmAq	m <sup>3</sup> /min	
AS-0310S	0.01	0.013	176.4	18	1.2	95p
AS-0415S	0.05	0.067	313.6	32	6	
AS-0525S	0.07	0.093	490.0	50	8	96p
AS-0625S	0.15	1/5	705.6	72	10	
AS-0730S	0.15	1/5	294.0	30	15	97p
AS-0830S	0.23	1/3	343.0	35	20	
AS-0930S	0.4	1/2	450.8	46	26	98p
AS-0104S	0.75	1	735.0	75	53	
AS-0124S	1.5	2	1058.4	108	60	99p

• AS-0310S

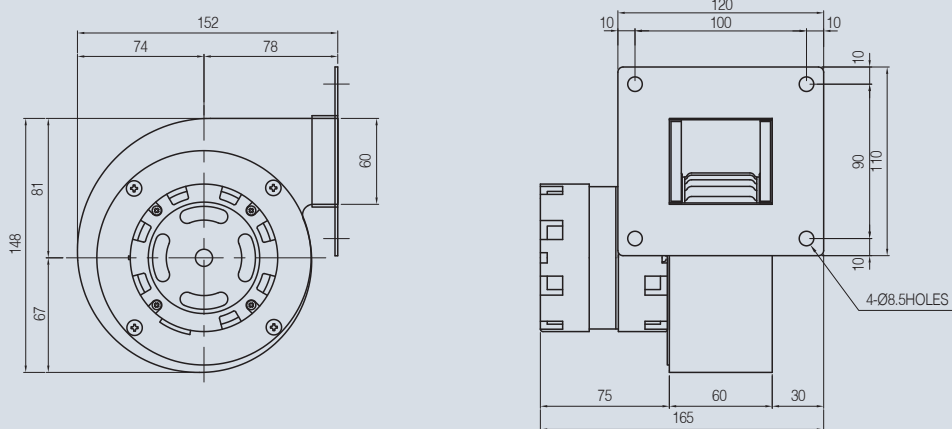


Power source			Static Pressure Pa	Air Volume m <sup>3</sup> /min	Motor power W	Input power W	Current A	Rotative speed RPM
Phase	V	Hz						
φ 1	220	60Hz	176.4	45	10	21	0.2	2790
φ 1	220	50Hz	122.5	40	6	12	0.1	2330

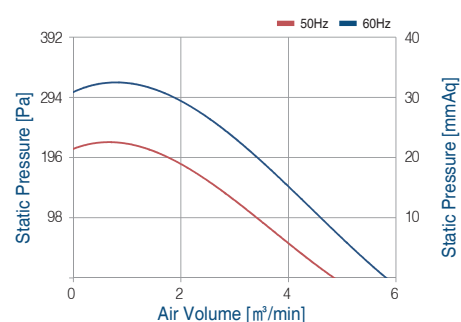


SINGLE INLET FANS

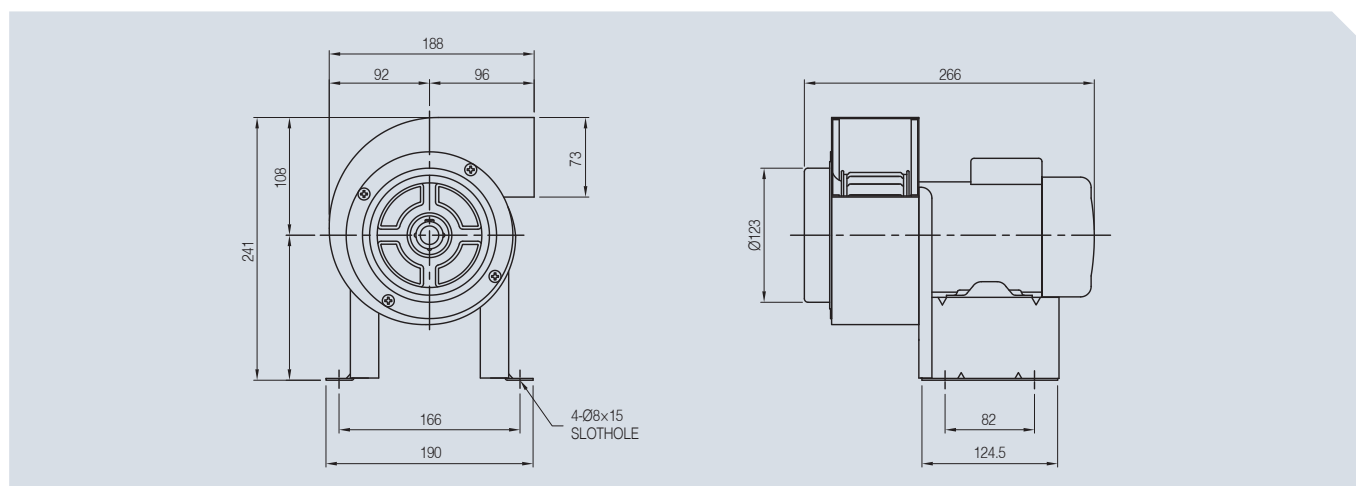
• AS-0415S



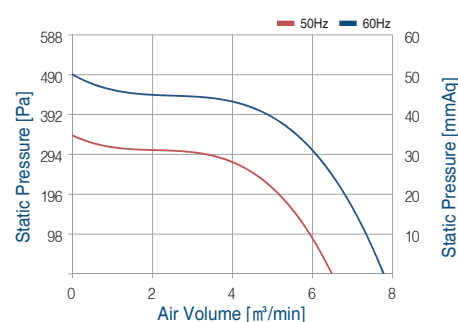
Power source			Static Pressure Pa	Air Volume m <sup>3</sup> /min	Motor power W	Input power W	Current A	Rotative speed RPM
Phase	V	Hz						
φ 1	220 380	60Hz	313.6	6	50	70	0.7	3200
φ 1	220 380	50Hz	205.8	4.4	42	60	0.6	2600



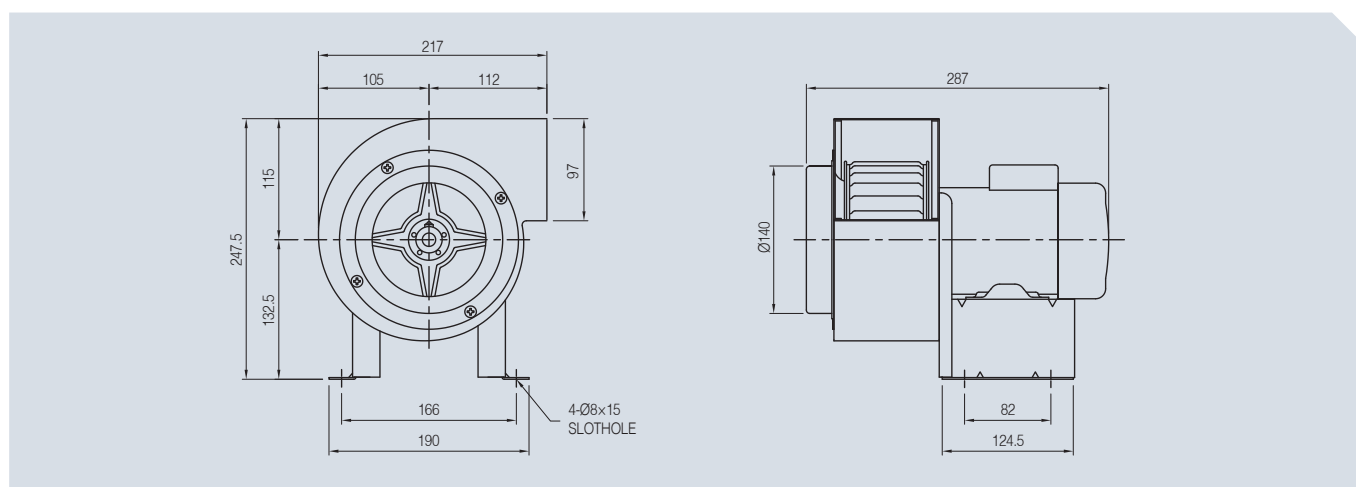
• AS-0525S



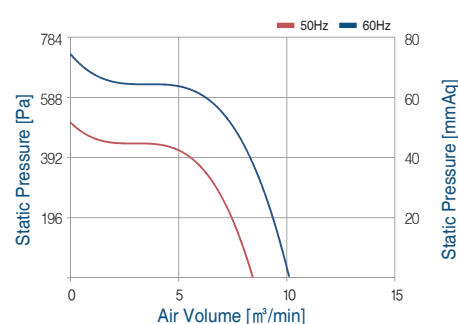
Power source			Static Pressure Pa	Air Volume m <sup>3</sup> /min	Motor power W	Input power W	Current A	Rotative speed RPM
Phase	V	Hz						
φ 1 φ 3	220	60Hz	490	8	70	150	0.8	3300
	380							
φ 1 φ 3	220	50Hz	313.6	6.5	58	125	0.6	2700
	380							



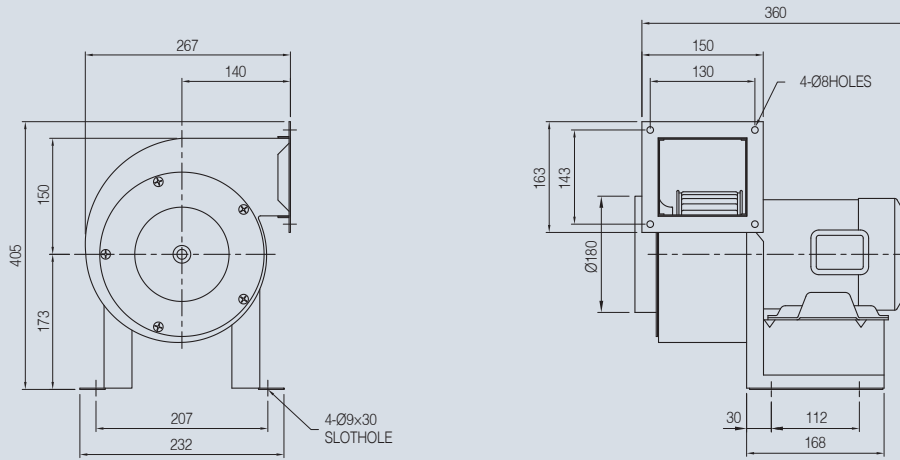
• AS-0625S



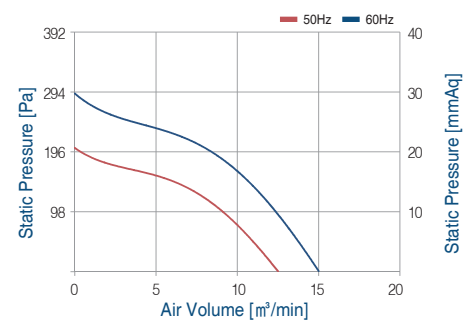
Power source			Static Pressure Pa	Air Volume m <sup>3</sup> /min	Motor power W	Input power W	Current A	Rotative speed RPM
Phase	V	Hz						
φ 1 φ 3	220	60Hz	705.6	10	150	450	2.0	3300
	380							
φ 1 φ 3	220	50Hz	450.8	7.5	125	350	1.8	2900
	380							



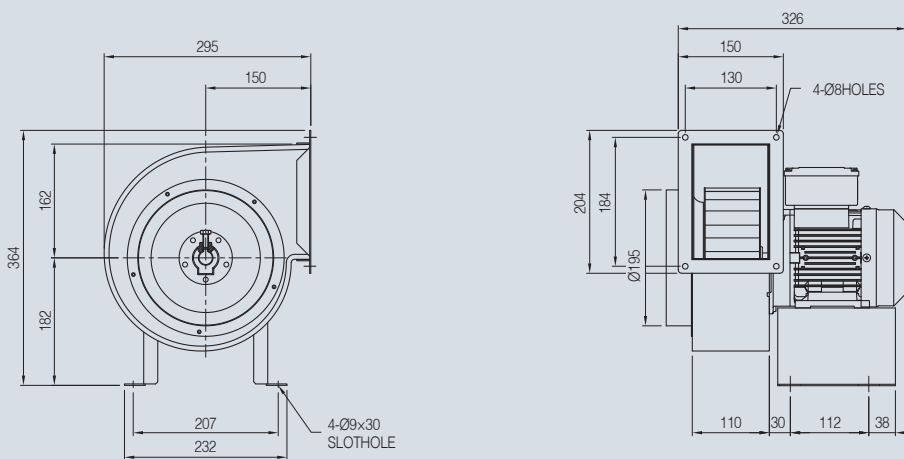
• AS-0730S



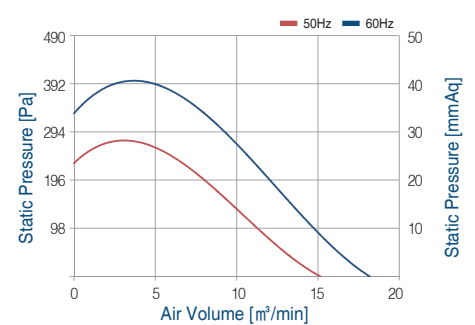
Power source			Static Pressure Pa	Air Volume m <sup>3</sup> /min	Motor power W	Input power W	Current A	Rotative speed RPM
Phase	V	Hz						
φ 1 φ 3	220	60Hz	294	15	150	210	1.5	1650
	380							
φ 1 φ 3	220	50Hz	196	12	125	150	0.9	1450
	380							



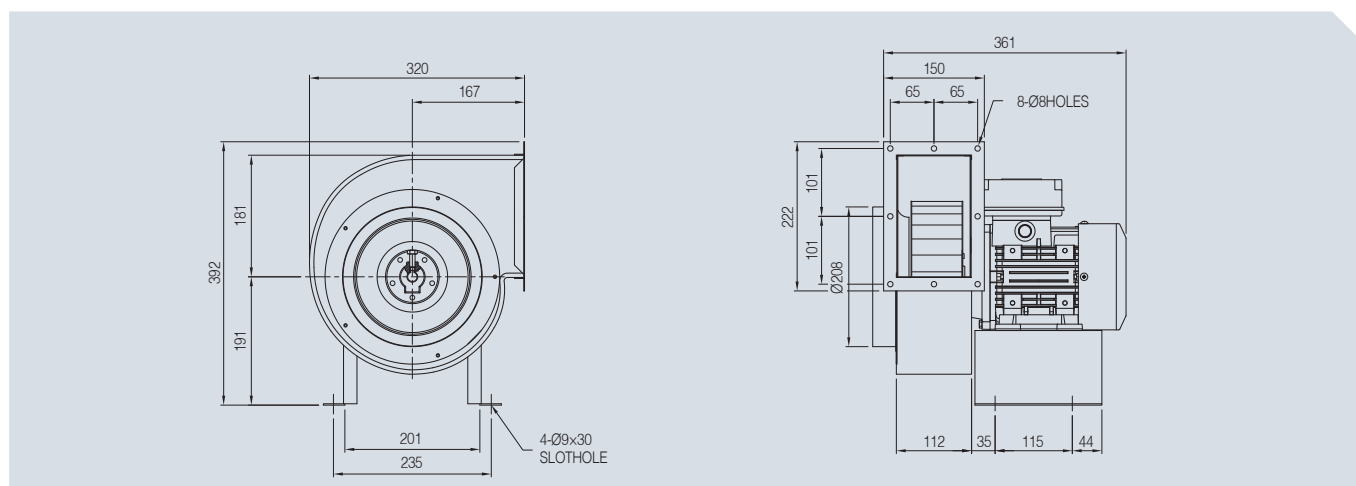
• AS-0830S



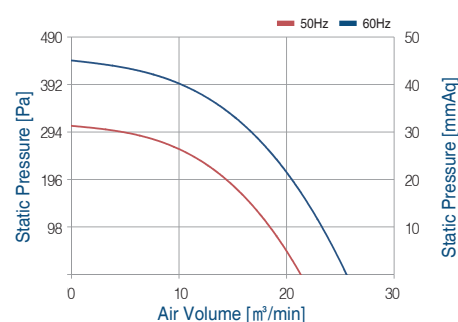
Power source			Static Pressure Pa	Air Volume m <sup>3</sup> /min	Motor power W	Input power W	Current A	Rotative speed RPM
Phase	V	Hz						
φ 1 φ 3	220	60Hz	343	20	230	340	2.5	1650
	380							
φ 1 φ 3	220	50Hz	225.4	16	195	210	1.3	1450
	380							



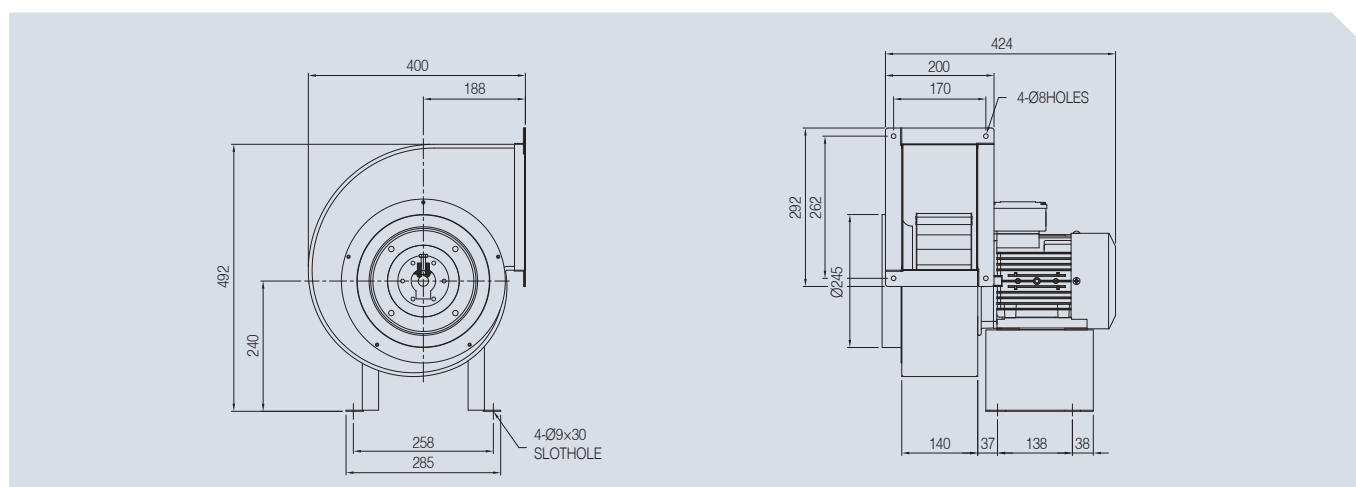
• AS-0930S



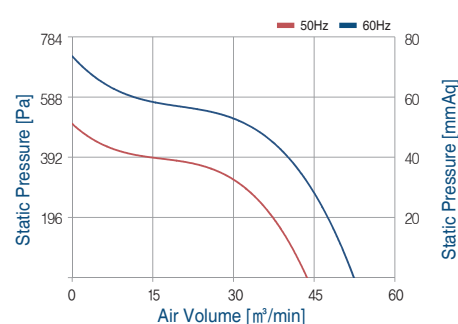
Power source			Static Pressure Pa	Air Volume m <sup>3</sup> /min	Motor power W	Input power W	Current A	Rotative speed RPM
Phase	V	Hz						
φ 1 φ 3	220	60Hz	450.8	26	400	580	4.5	1650
	380							
φ 1 φ 3	220	50Hz	294	24	340	420	2.6	1450
	380							



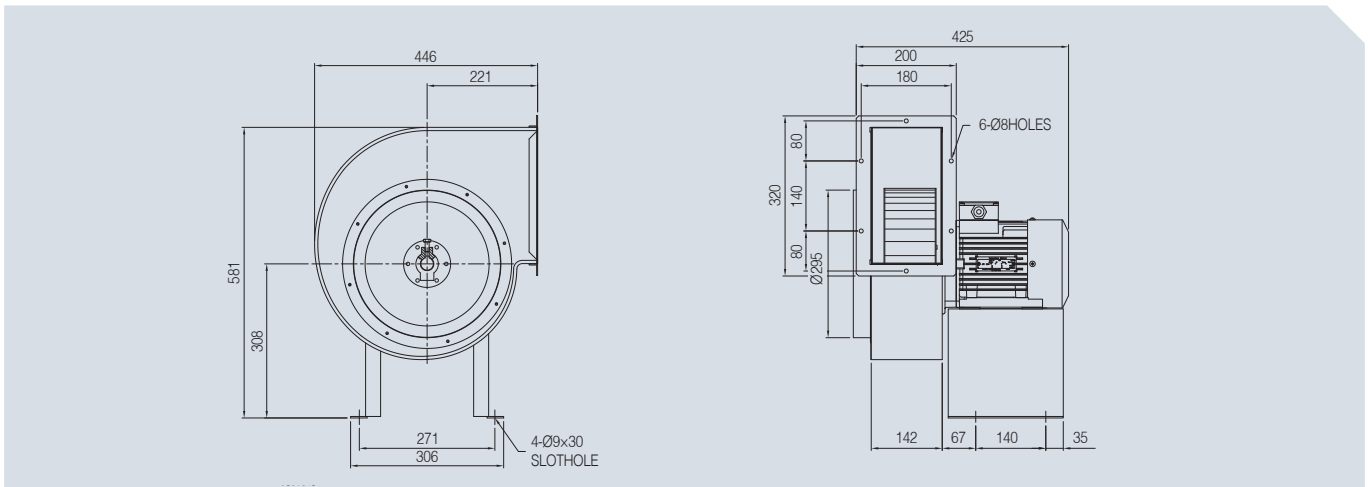
• AS-0104S



Power source			Static Pressure Pa	Air Volume m <sup>3</sup> /min	Motor power W	Input power W	Current A	Rotative speed RPM
Phase	V	Hz						
φ 1 φ 3	220	60Hz	735	53	750	1150	6.0	1650
	380							
φ 1 φ 3	220	50Hz	470.4	43	630	890	4.9	1350
	380							



• AS-0124S



Power source			Static Pressure Pa	Air Volume m <sup>3</sup> /min	Motor power W	Input power W	Current A	Rotative speed RPM
Phase	V	Hz						
φ 1 φ 3	220	60Hz	1058.4	60	1500	2000	8.1	1650
	380							
φ 1 φ 3	220	50Hz	842.8	48	1250	1540	7.0	1350
	380							

