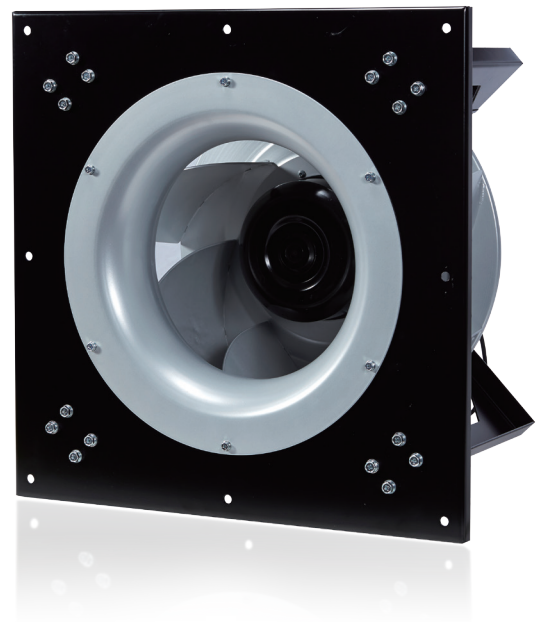


PLUG FANS

Characteristics

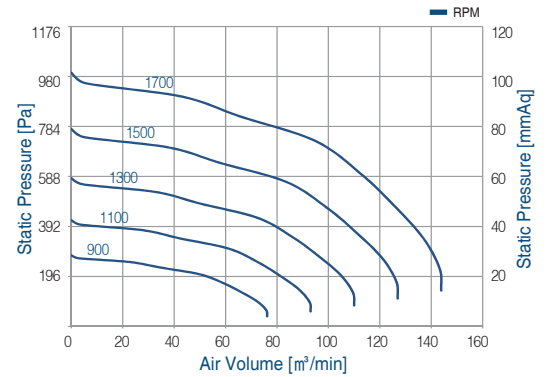
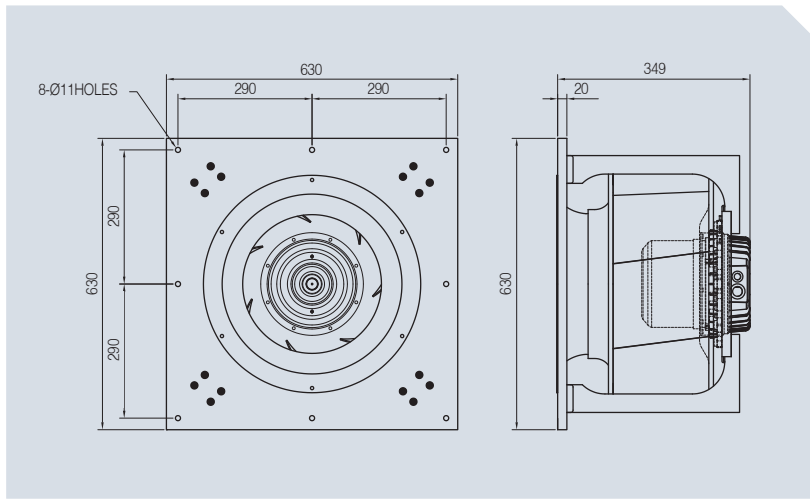
- With the adoption of BLDC motor, control of rotating function enhanced and high efficiency ensured
- With implementation of the specially made backward curve fan, designed to be used for HVAC(Heating, Ventilation & Air Conditioning) fans for high static pressure
- Ultralight and excellent structural strength achieved by implementing light-weight aluminum
- Various models available per capacity (0.2kw~2.2kw)
- Internal and external control possible in the area of single-phase / three-phase (220v~480v available)
- Through high-precision balance calibration, the level of noise and vibration lowered even at high speed rotation
- Mounting structure and design adjustable in accordance to customer's requirements



Product data

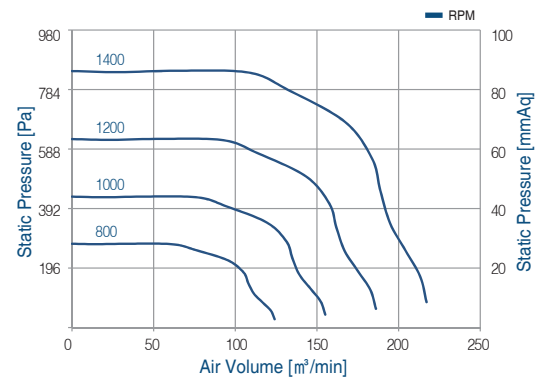
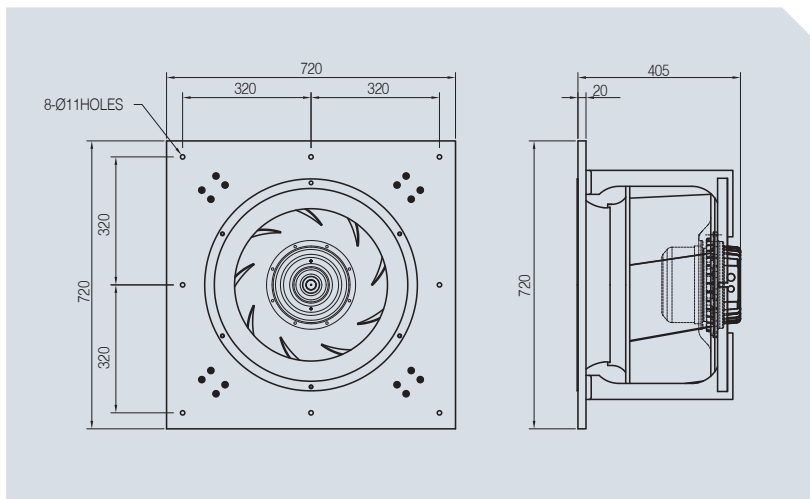
MODEL	Motor Power		Static Pressure		Air Volume	Page
	kw	HP	Pa	mmAq	m ³ /min	
APF-50BL	0.75	1	990	101	145	13p
APF-56BL	1.2	2	843	86	225	14p

• APF-50BL



Rotative speed		Static Pressure																									
RPM		98	10	196	20	294	30	392	40	490	50	588	60	686	70	784	80	882	90								
		Pa	mmAq	Pa	mmAq	Pa	mmAq	Pa	mmAq	Pa	mmAq	Pa	mmAq	Pa	mmAq	Pa	mmAq	Pa	mmAq								
900	Air Volume	m³/min		72		52																					
		ft³/min		2543		1820																					
	Input Power	W		242		285																					
1100	Air Volume	m³/min		92		83		63		15																	
		ft³/min		3236		2919		2211		543																	
	Input Power	W		342		394		425		261																	
1300	Air Volume	m³/min		110		105		95		79		47															
		ft³/min		3885		3695		3366		2774		1671															
	Input Power	W		464		501		564		600		504															
1500	Air Volume	m³/min		128		124		119		110		97		75		41											
		ft³/min		4516		4390		4186		3882		3409		2653		1455											
	Input Power	W		599		640		685		752		798		762		599											
1700	Air Volume	m³/min		136		146		140		131		124		116		102		79		45							
		ft³/min		4802		5142		4943		4640		4373		4083		3611		2797		1579							
	Input Power	W		747		804		838		889		956		1013		1022		947		767							

• APF-56BL



Rotative speed		Static Pressure																	
RPM		98	10	196	20	294	30	392	40	490	50	588	60	686	70	784	80		
		Pa	mmAq	Pa	mmAq	Pa	mmAq	Pa	mmAq	Pa	mmAq	Pa	mmAq	Pa	mmAq	Pa	mmAq		
900	Air Volume	m³/min		116		99													
		ft³/min		4084		3498													
	Input Power	W		220		455													
1000	Air Volume	m³/min		150		140		126		102									
		ft³/min		5295		4938		4451		3601									
	Input Power	W		325		410		710		720									
1200	Air Volume	m³/min		183		176		167		156		141		113					
		ft³/min		6470		6195		5877		5489		4960		3989					
	Input Power	W		470		470		665		980		1050		1020					
1400	Air Volume	m³/min		216		210		203		195		186		175		160		138	
		ft³/min		7625		7406		7166		6884		6566		6178		5648		4871	
	Input Power	W		640		638		665		840		1265		1390		1430		1410	