

OUTER ROTOR SINGLE INLET DIRECT DRIVE CENTRIFUGAL FANS (AC)

Characteristics

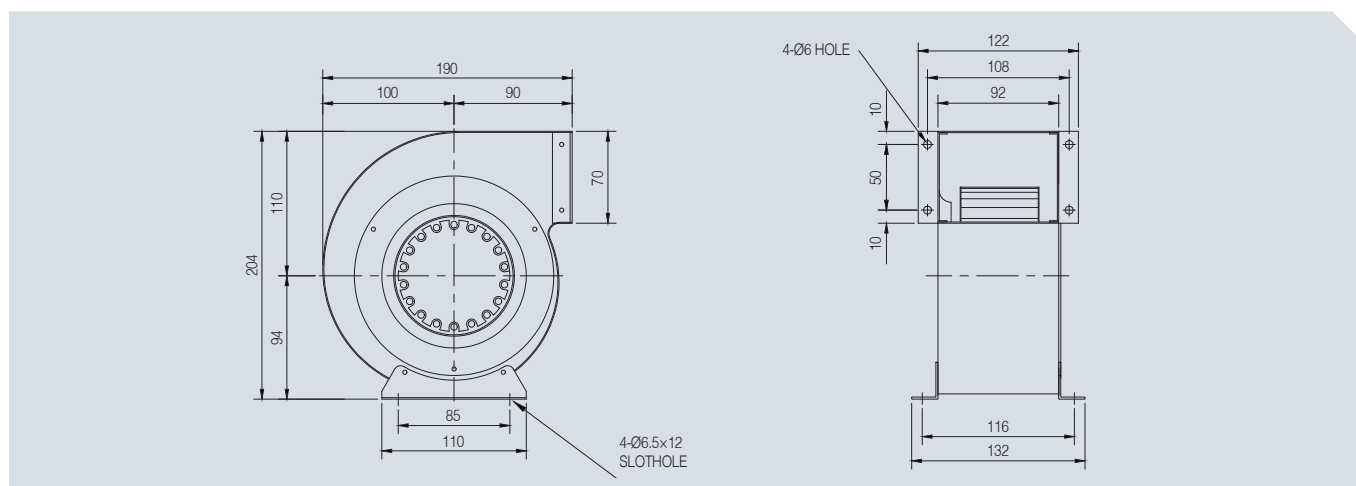
- Appropriately used in the following devices:
 - Air transport system for heat exchangers and range hood
 - Cooling system for electronic and communication equipment
- For ease of handling and installation, miniaturization and light-weight of the fan achieved through integrated design of structure
- Quality ensured by acquisition of CE mark (i.e. European Conformity), which literally means that the product complies with the essential requirements of the relevant European health, safety and environmental legislation
- Regardless of frequency, speed control possible
- Excellent product reliability ensured by illumination process
- Excellent energy rating achieved due to low electricity consumption (high efficiency) relative to air volume



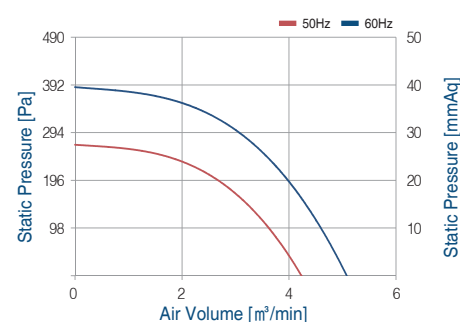
Product data

MODEL	Static Pressure		Air Volume	Page
	Pa	mmAq	m ³ /min	
AOS2S-120-60A	392	40	5.2	101p
AOS2S-133-60A	461	47	6.2	
AOS2S-145-60A	490	50	8.1	102p
AOS4S-145-60A	392	40	6.5	
AOS2S-160-60A	706	72	8.0	103p
AOS4S-160-60A	225	23	7.5	
AOS2S-180-75A	931	95	10.8	104p
AOS4S-180-75A	314	32	10.0	
AOS4S-180-90A	314	32	15.5	105p
AOS4S-200-100A	333	34	16.0	

• AOS2S-120-60A

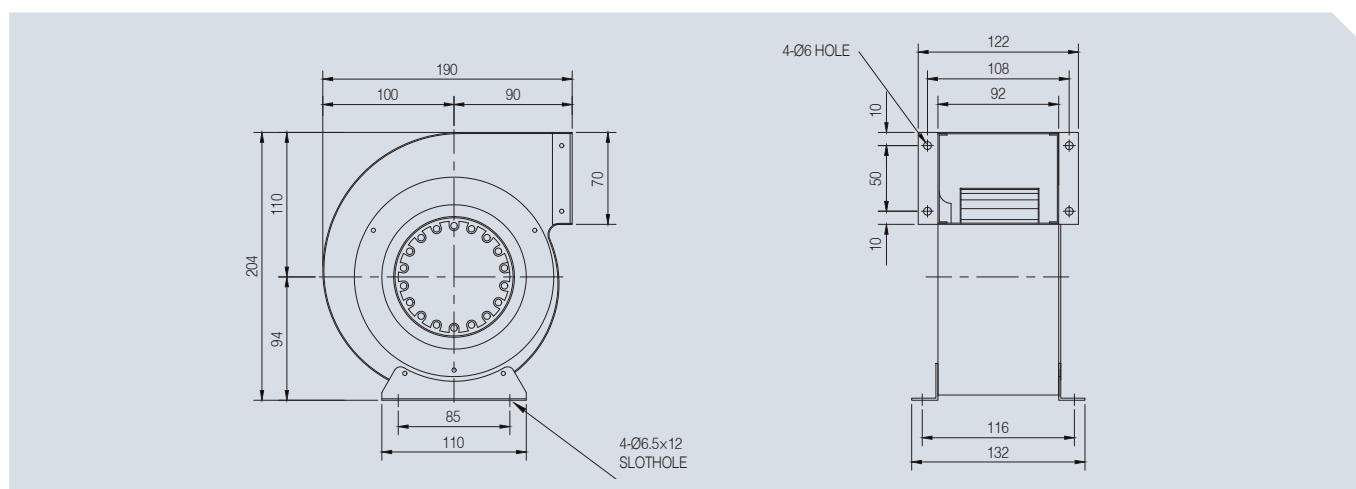


Power source			Static Pressure Pa	Air Volume m³/min	Input power W	Current A	Rotative speed RPM
Phase	V	Hz					
φ 1	220	60Hz	392	5.2	100	0.5	2250
φ 1	220	50Hz	254.8	4.3	80	0.4	2100

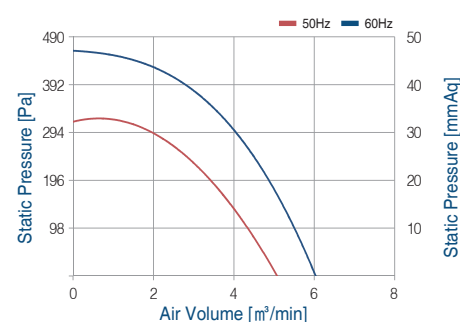


SINGLE INLET DIRECT DRIVE CENTRIFUGAL FANS (AC)

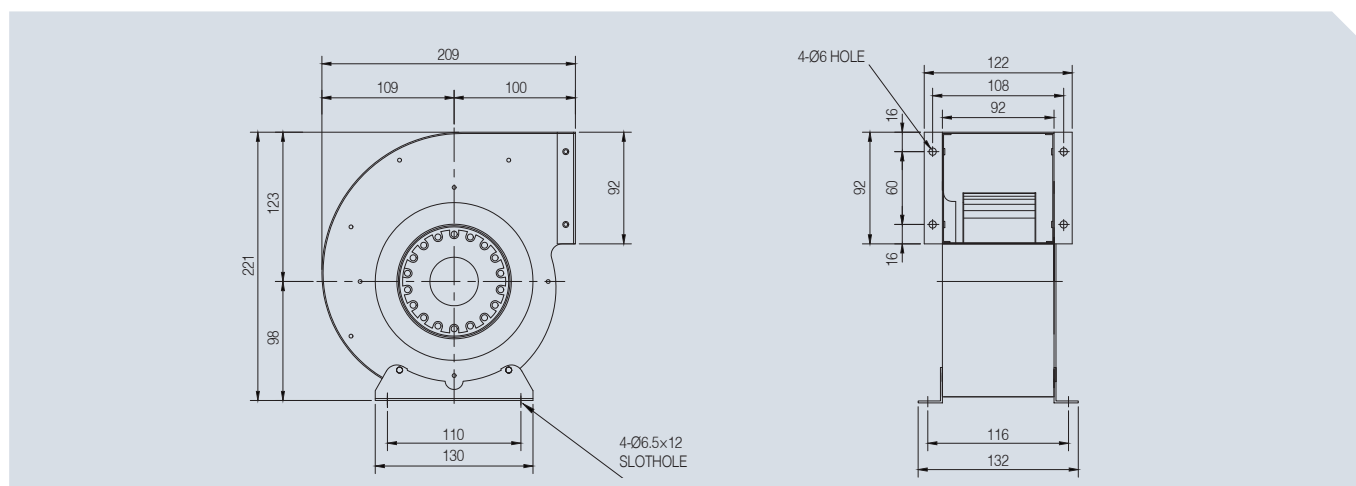
• AOS2S-133-60A



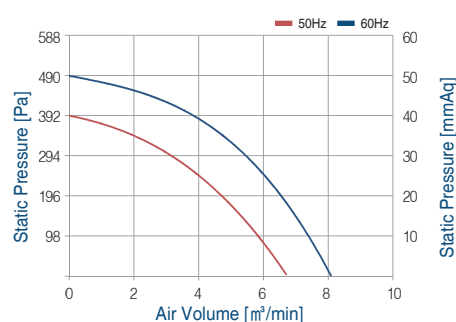
Power source			Static Pressure Pa	Air Volume m³/min	Input power W	Current A	Rotative speed RPM
Phase	V	Hz					
φ 1	220	60Hz	461	6.2	110	0.5	2200
φ 1	220	50Hz	313.6	5.1	90	0.4	2050



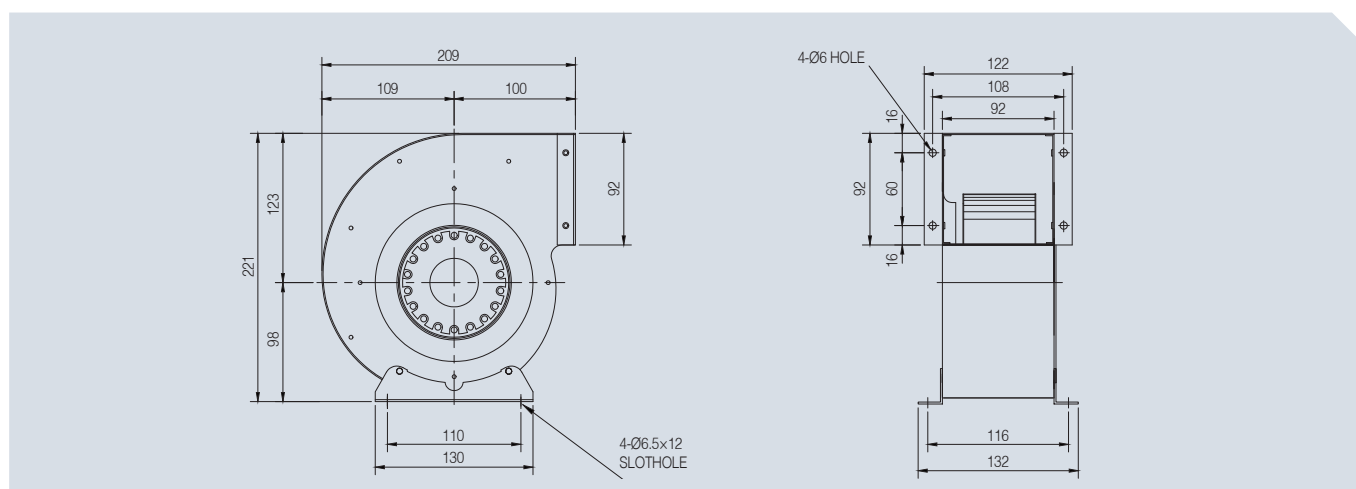
• AOS2S-145-60A



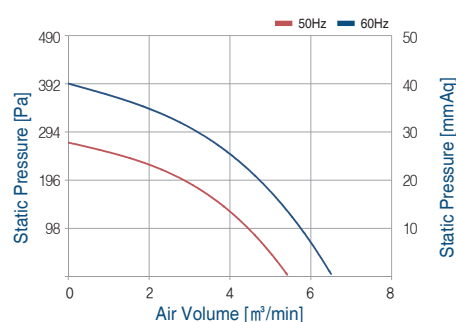
Power source			Static Pressure Pa	Air Volume m³/min	Input power W	Current A	Rotative speed RPM
Phase	V	Hz					
∅ 1	220	60Hz	490.0	8.1	146	0.7	2200
∅ 1	220	50Hz	411.6	6.7	122	0.6	1825



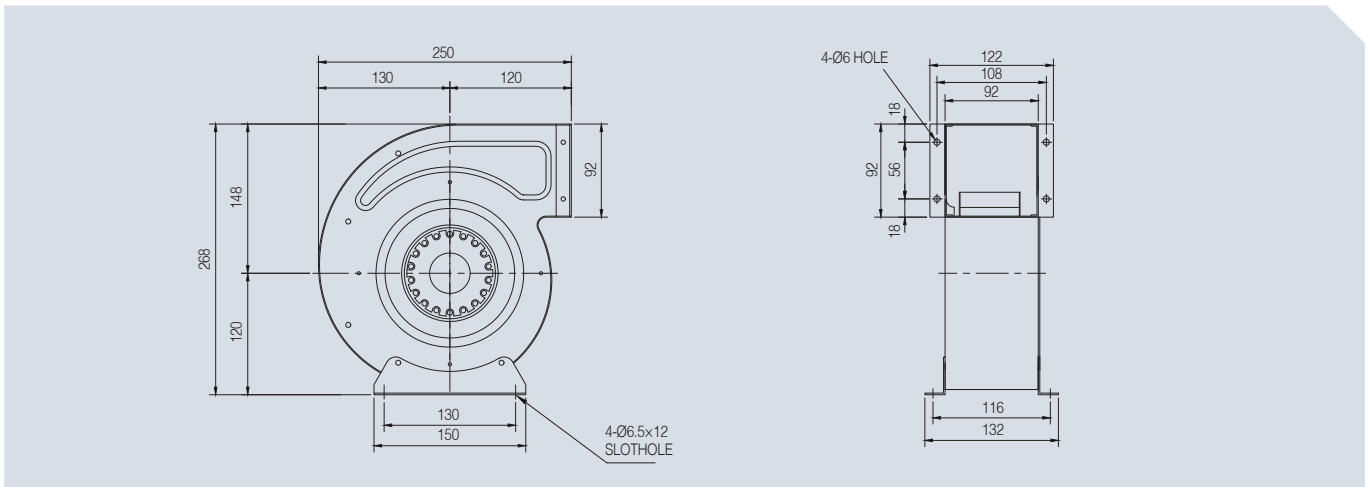
• AOS4S-145-60A



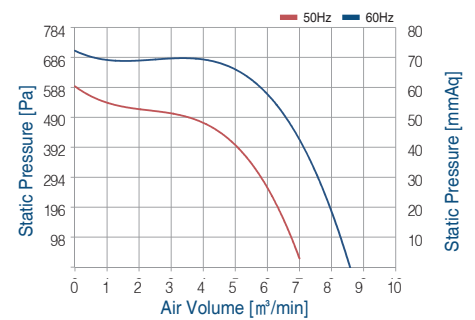
Power source			Static Pressure Pa	Air Volume m³/min	Input power W	Current A	Rotative speed RPM
Phase	V	Hz					
∅ 1	220	60Hz	392	6.5	140	0.5	1750
∅ 1	220	50Hz	274.4	5.4	115	0.5	1450



• AOS2S-160-60A

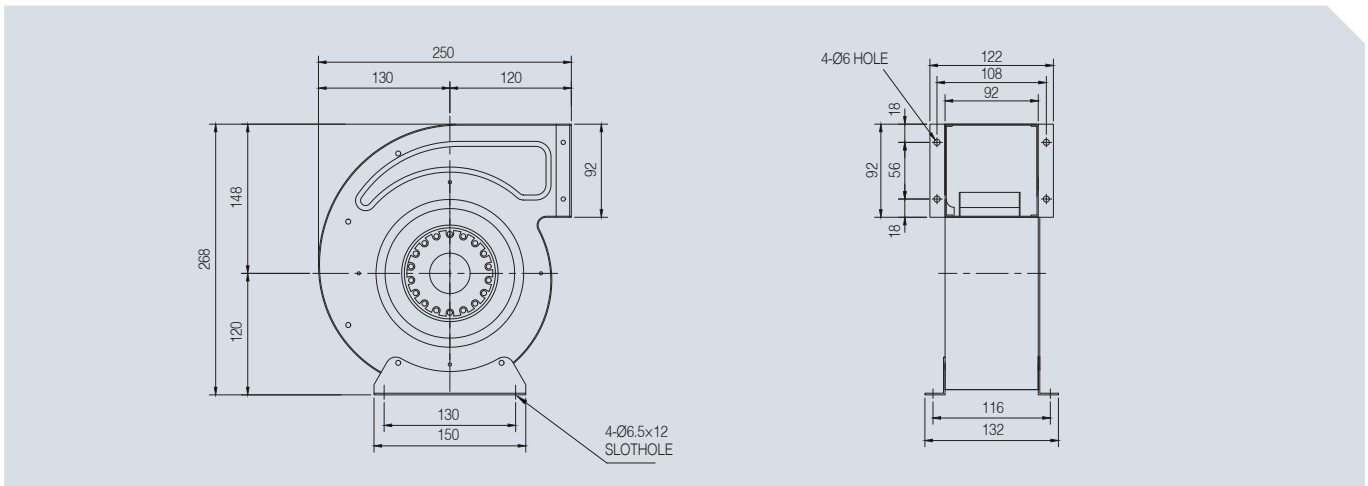


Power source			Static Pressure Pa	Air Volume m³/min	Input power W	Current A	Rotative speed RPM
Phase	V	Hz					
φ 1	220	60Hz	706	8.0	260	1.2	2200
φ 1	220	50Hz	588	6.7	216	1.0	1850

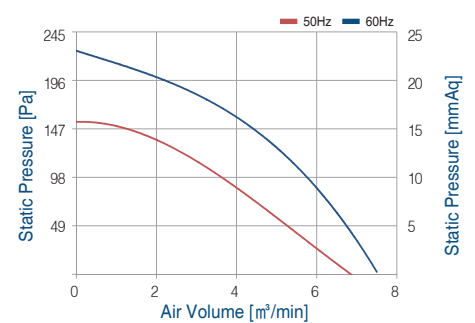


SINGLE INLET DIRECT DRIVE CENTRIFUGAL FANS (AC)

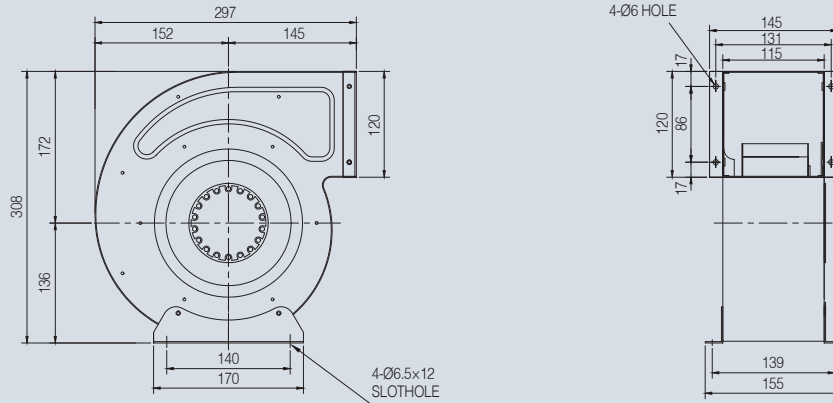
• AOS4S-160-60A



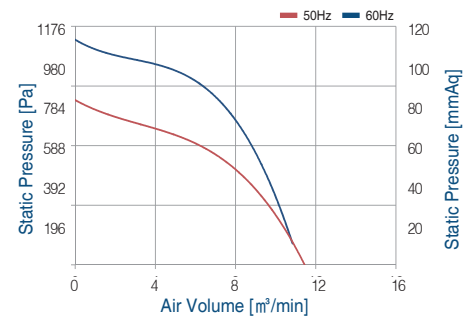
Power source			Static Pressure Pa	Air Volume m³/min	Input power W	Current A	Rotative speed RPM
Phase	V	Hz					
φ 1	220	60Hz	225	7.5	82	0.4	1400
φ 1	220	50Hz	157	7	72	0.4	1300



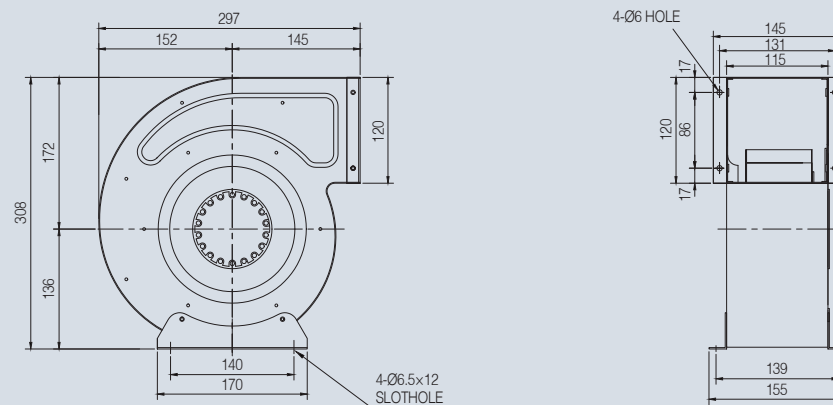
• AOS2S-180-75A



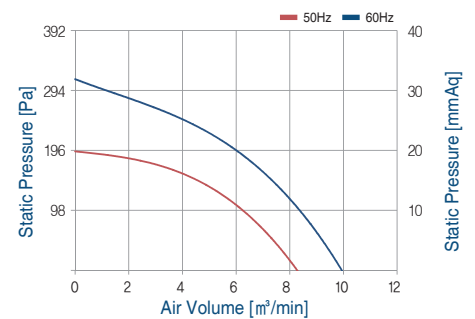
Power source			Static Pressure Pa	Air Volume m ³ /min	Input power W	Current A	Rotative speed RPM
Phase	V	Hz					
∅ 1	220	60Hz	931	10.8	330	1.5	2650
∅ 1	220	50Hz	706	11.5	310	1.4	2080



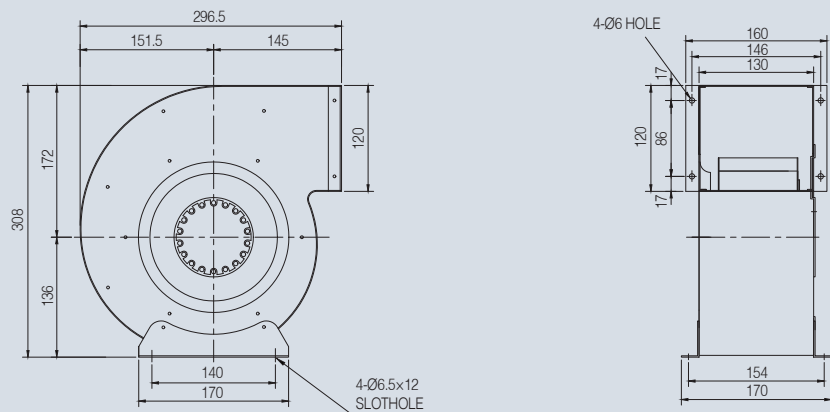
• AOS4S-180-75A



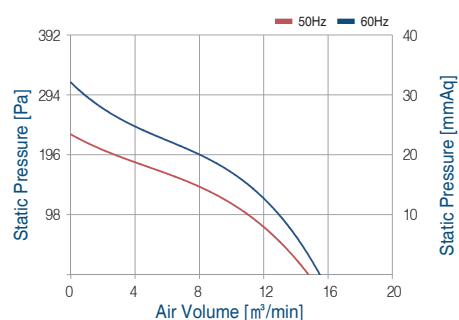
Power source			Static Pressure Pa	Air Volume m ³ /min	Input power W	Current A	Rotative speed RPM
Phase	V	Hz					
∅ 1	220	60Hz	314	10	140	0.7	1300
∅ 1	220	50Hz	196	8.5	110	0.7	1250



• AOS4S-180-90A

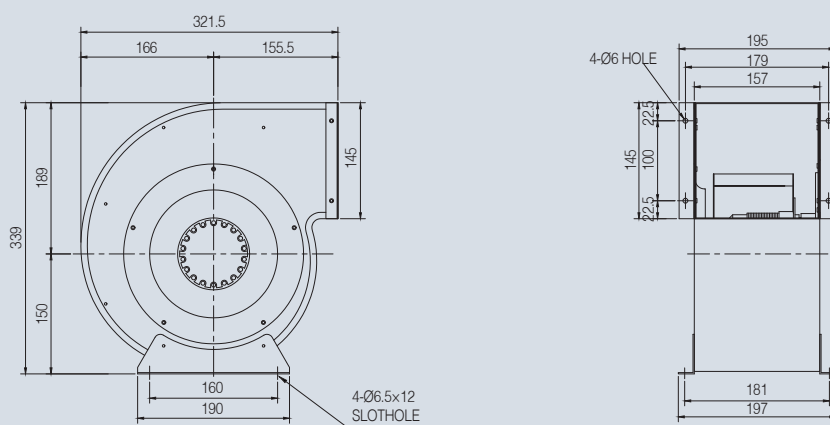


Power source			Static Pressure Pa	Air Volume m ³ /min	Input power W	Current A	Rotative speed RPM
Phase	V	Hz					
φ 1	220	60Hz	314	15.5	190	0.8	1450
φ 1	220	50Hz	235	14.8	160	0.7	1200



SINGLE INLET DIRECT DRIVE CENTRIFUGAL FANS (AC)

• AOS4S-200-100A



Power source			Static Pressure Pa	Air Volume m ³ /min	Input power W	Current A	Rotative speed RPM
Phase	V	Hz					
φ 1	220	60Hz	333	16.0	280	1.6	1480
φ 1	220	50Hz	225	14.5	250	1.3	1300

