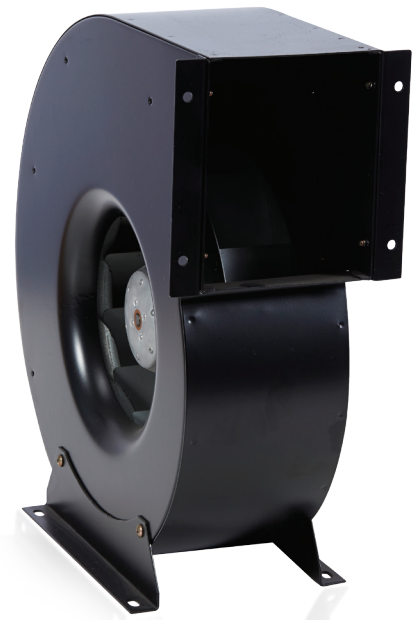


# OUTER ROTOR BACKWARD CURVE FANS (BLDC)

## Characteristics

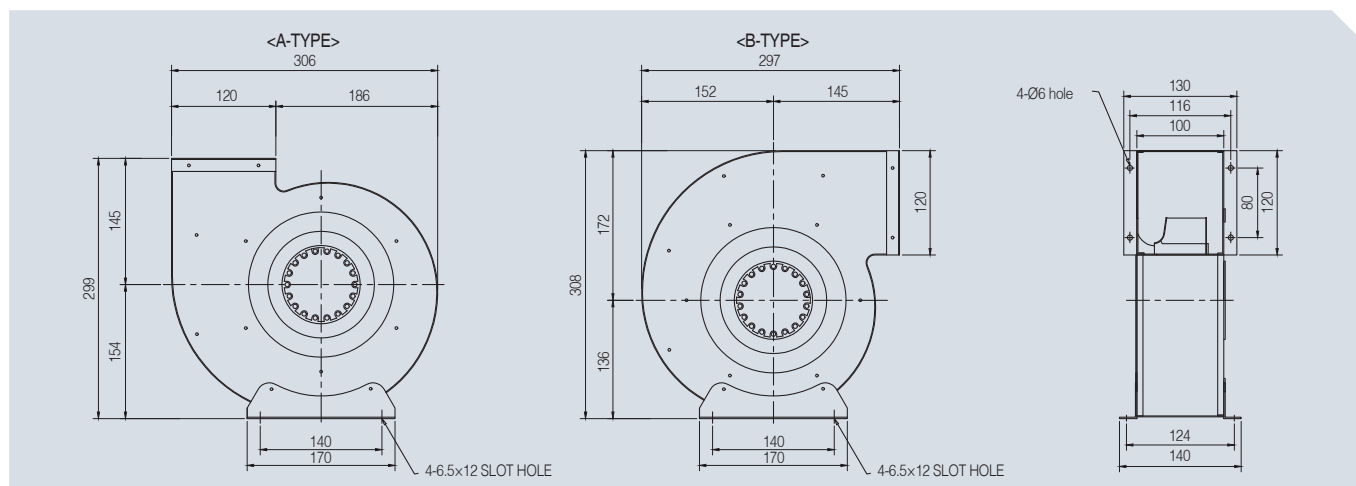
- Appropriately used in the following devices:
  - Air transport system for heat exchangers and range hood
  - Cooling system for electronic and communication equipment
- For ease of handling and installation, miniaturization and light weight of the fan achieved through integrated design of structure
- Regardless of frequency, speed control possible
- Excellent product reliability ensured by illumination process
- Excellent energy rating achieved due to low electricity consumption (high efficiency) relative to air volume
- Highly efficient backward curve fan with low noise level applied; thus, suitable for high static pressure



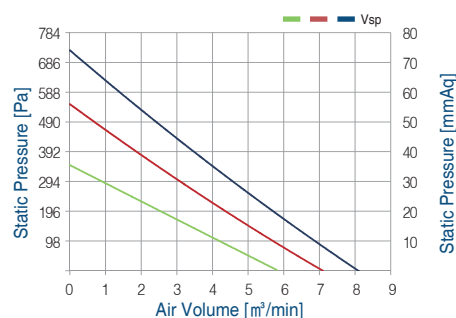
## Product data

MODEL	Static Pressure		Air Volume	Page
	Pa	mmAq	m <sup>3</sup> /min	
AOB2S-190-45A	725	74	8.1	117p
AOB2S-225-50A	706	72	11.9	
AOB2S-250-52A	745	76	15.4	118p

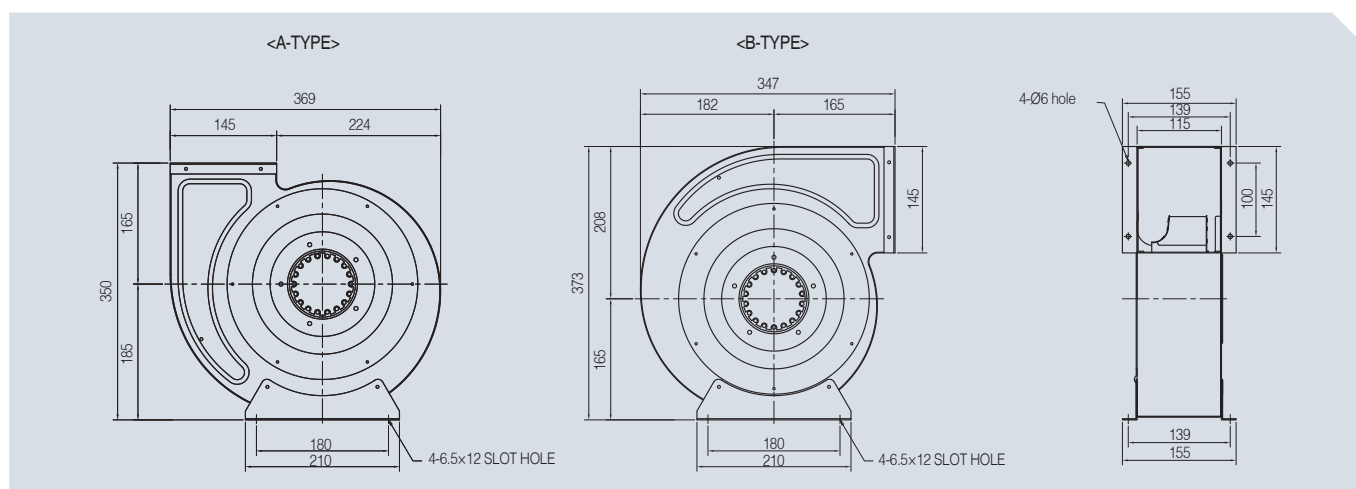
• AOB2S-190-45A (BLDC)



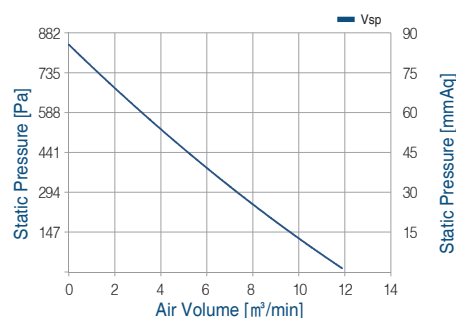
Power source			Vsp (VDC)	Air Volume	Input power	Rotative speed
Phase	V	Hz	V	m³/min	W	RPM
φ 1	220	60Hz	4	8.1	70	2750
		/	3.2	7.2	50	2400
		50Hz	2.45	5.8	30	1980



• AOB2S-225-50A (BLDC)

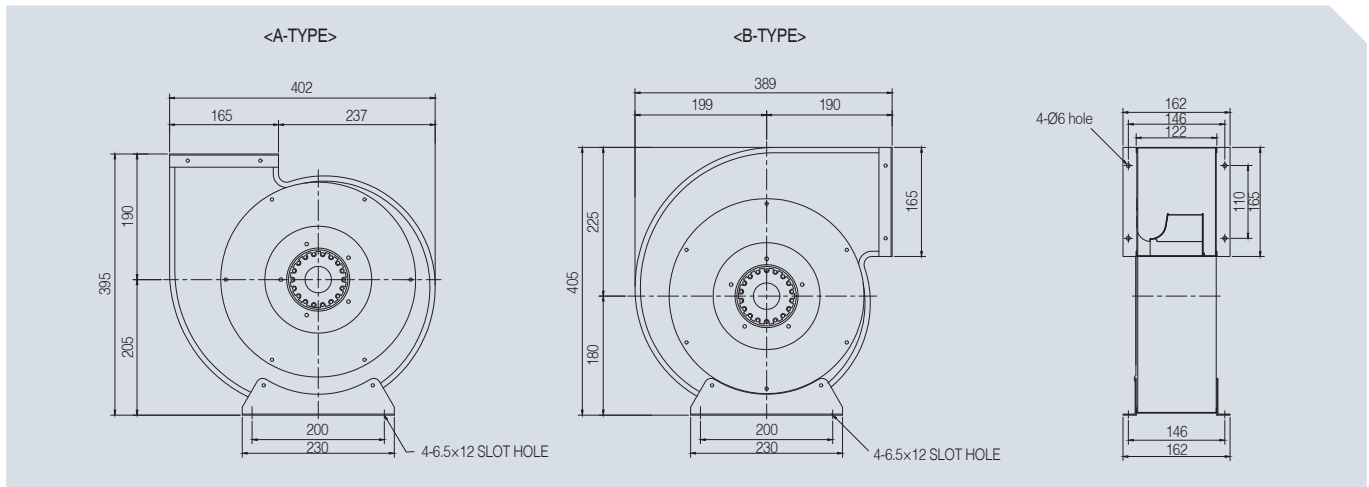


Power source			Vsp (VDC)	Air Volume	Input power	Rotative speed
Phase	V	Hz	V	m³/min	W	RPM
φ 1	220	60Hz / 50Hz	5	11.9	80	2630



BACKWARD CURVE FANS (BLDC)

• AOB2S-250-52A BLDC (BLDC)



Power source			Vsp (VDC)	Air Volume	Input power	Rotative speed
Phase	V	Hz	V	m <sup>3</sup> /min	W	RPM
∅ 1	220	60Hz / 50Hz	5	15.5	110	2330

