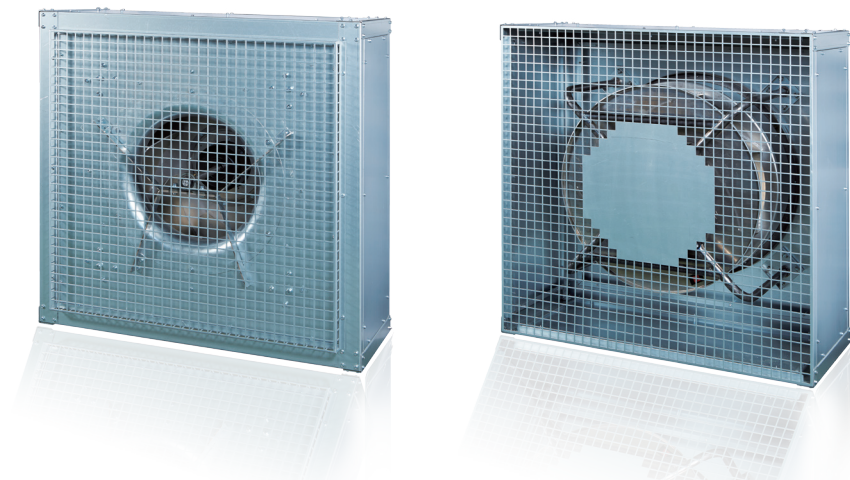


MULTI HANGER FANS

Characteristics

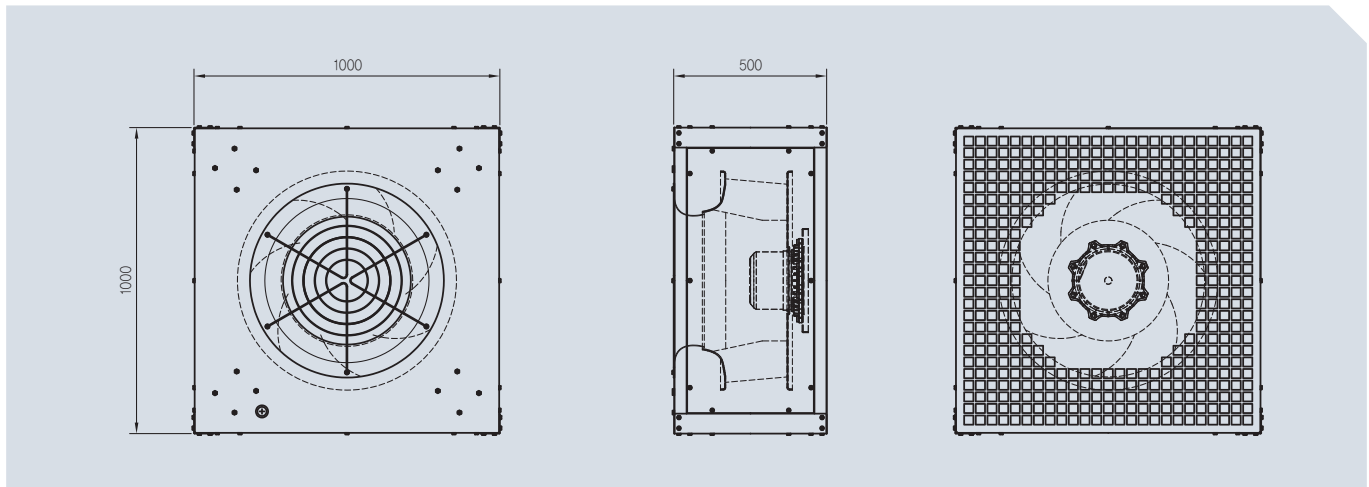
- With use of backward fan, changes of air flow minimized, maintaining consistent level of ventilation performance
- With adoption of BLDC motor, performance of the fan able to be controlled even during the operation
- Due to no use of belt or pulley, maintenance control made to be convenient and level of vibration minimized
- With application of 3-pole free voltage from 380V to 440V of 50/60Hz, wider range of voltage usage ensured
- Start-up circuit or inverter not required and due to starting current not generated, electric work relatively easy
- When over-heating or over-current incurs, operation automatically stopped to prevent damage to the product
- Due to thin design of the width, product able to be embedded in the wall and highly utilized in any space
- Appropriate in underground parking lot in public areas, apartments, shops, and suited for supply or exhaust fan in the gymnasiums or warehouses



Product data

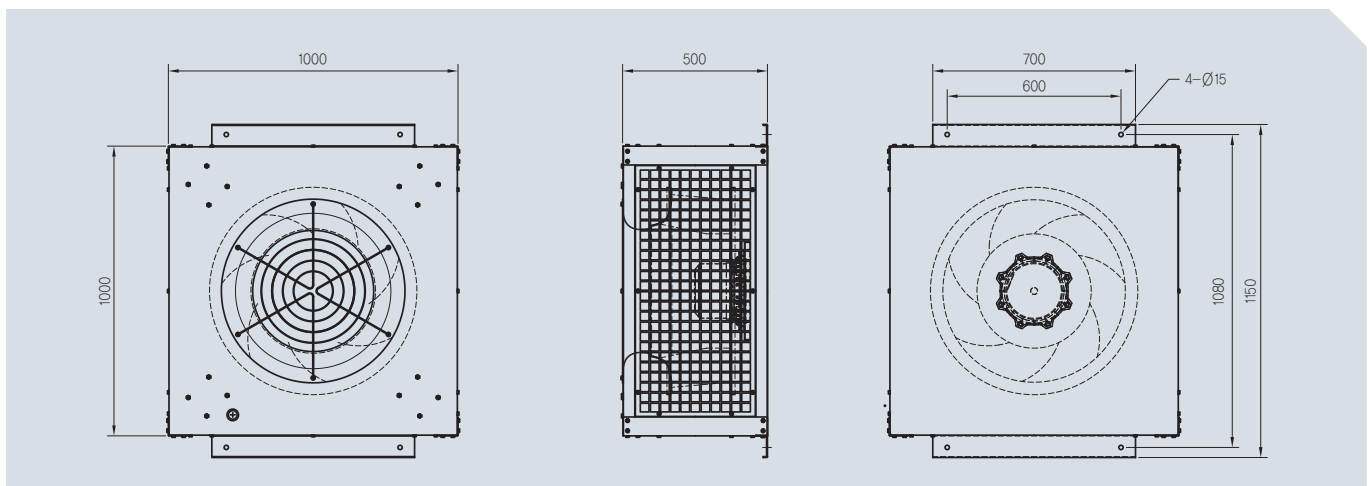
MODEL	DRIVE TYPE	Power source		Motor power		Static Pressure		Air Volume		Page
		Phase	V	kw	HP	Pa	mmAq	m ³ /h	ft ³ /h	
AMH-10000	BLDC	φ 3	380~440	1.5	2	98~147	10~15	10000	353000	193p
				3.0	4					
AMH-20000	BLDC	φ 3	380~440	3.0	4	98~147	10~15	20000	706000	194p

• **AMH-10000RM (REAR MESH)**



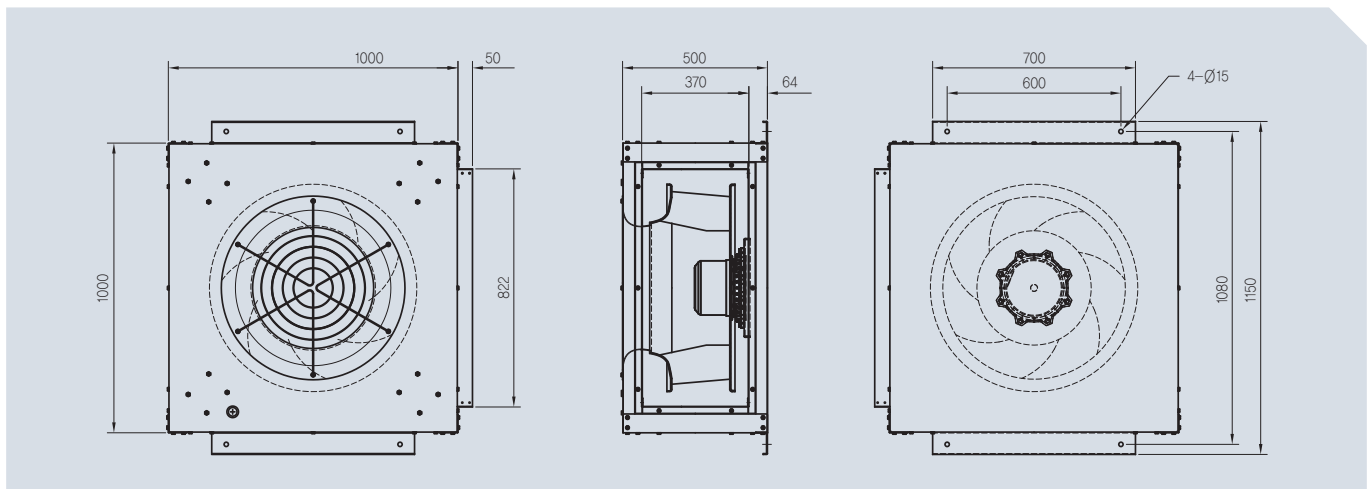
Power source			Type	Static Pressure	Air Volume	Motor power	Current
Phase	V	Hz		mmAq	CMH	KW	A
φ 3	380~ 440	50/ 60Hz	REAR MESH	10	10000	1.5	2.6
				15	10000		3.1

• **AMH-10000SM (SIDE MESH)**



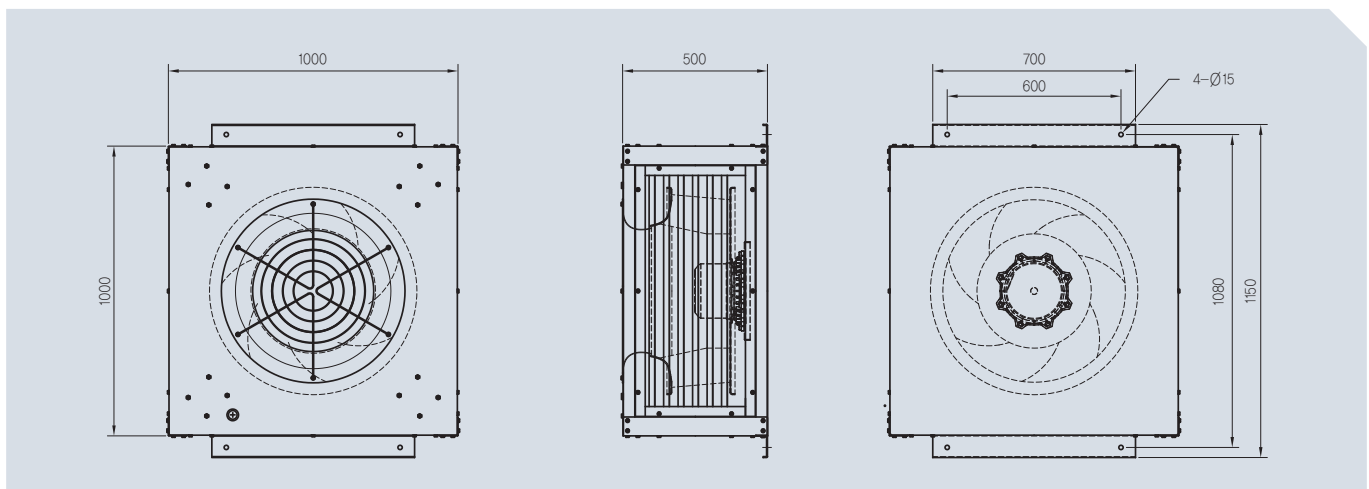
Power source			Type	Static Pressure	Air Volume	Motor power	Current
Phase	V	Hz		mmAq	CMH	KW	A
φ 3	380~ 440	50/ 60Hz	SIDE MESH	10	10000	3.0	4.7
				15	10000		4.9

• AMH-10000SF (SIDE FLANGE)



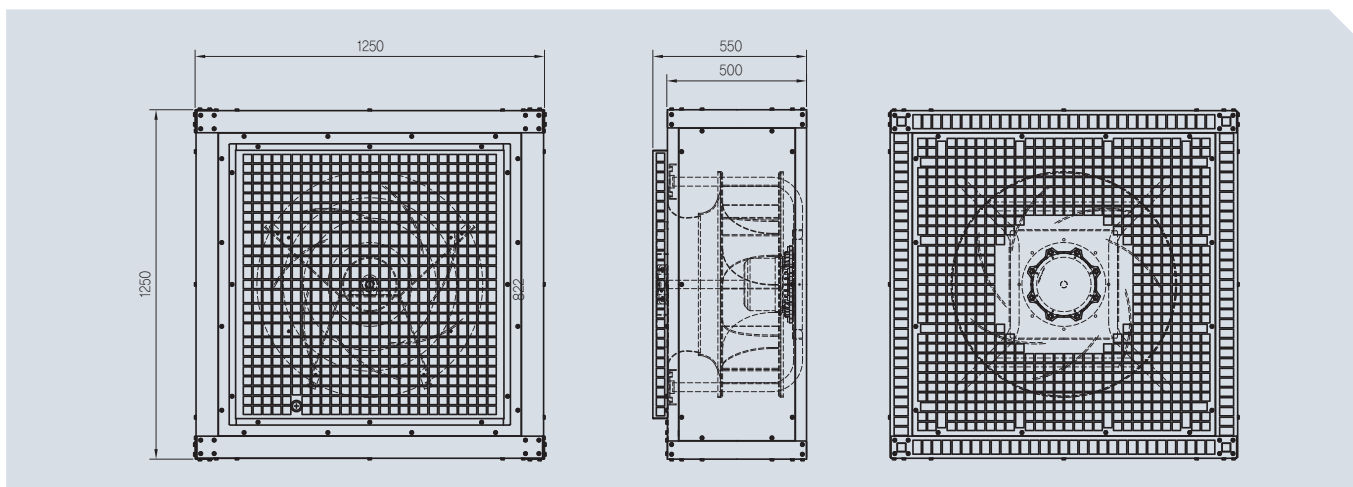
Power source			Type	Static Pressure	Air Volume	Motor power	Current
Phase	V	Hz		mmAq	CMH	KW	A
φ 3	380~ 440	50/ 60Hz	SIDE FLANGE	10	10000	3.0	4.8
				15	10000		6.3

• AMH-10000SG (SIDE GRILL)



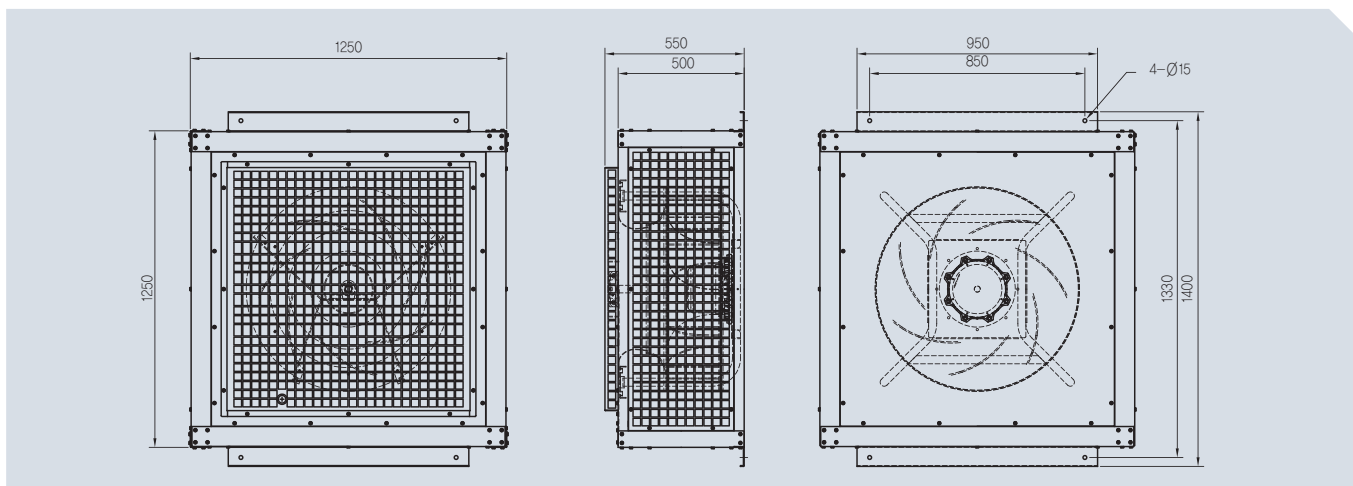
Power source			Type	Static Pressure	Air Volume	Motor power	Current
Phase	V	Hz		mmAq	CMH	KW	A
φ 3	380~ 440	50/ 60Hz	SIDE GRILL	10	10000	3.0	4.9
				15	10000		6.4

• AMH-20000RM (REAR MESH)



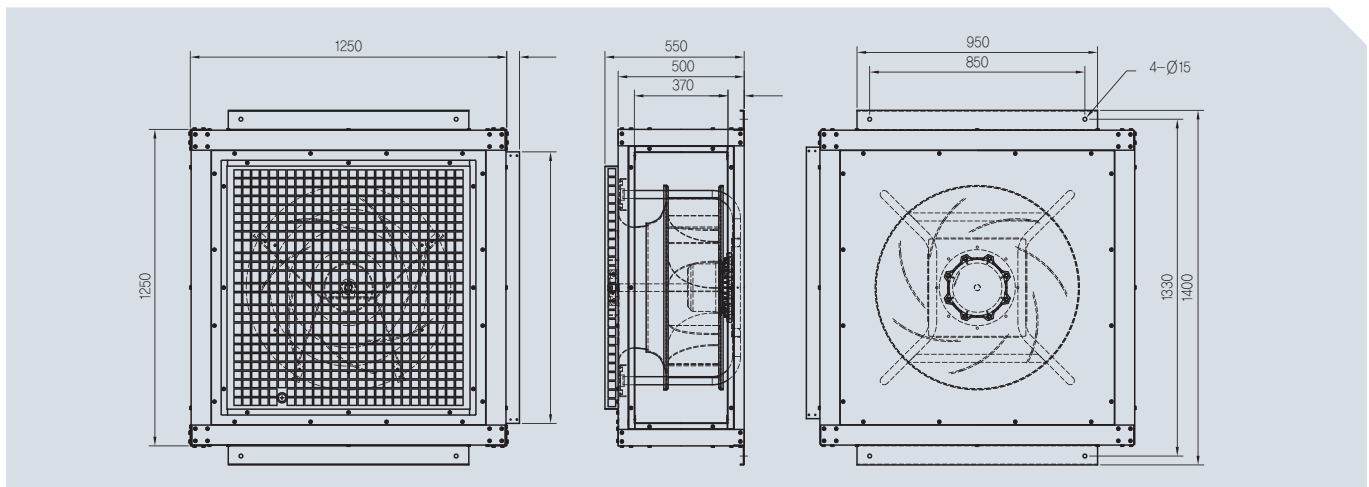
Power source			Type	Static Pressure	Air Volume	Motor power	Current
Phase	V	Hz		mmAq	CMH	KW	A
φ 3	380~ 440	50/ 60Hz	REAR MESH	10	20000	3.0	6.7
				15	20000		7.1

• AMH-20000SM (SIDE MESH)



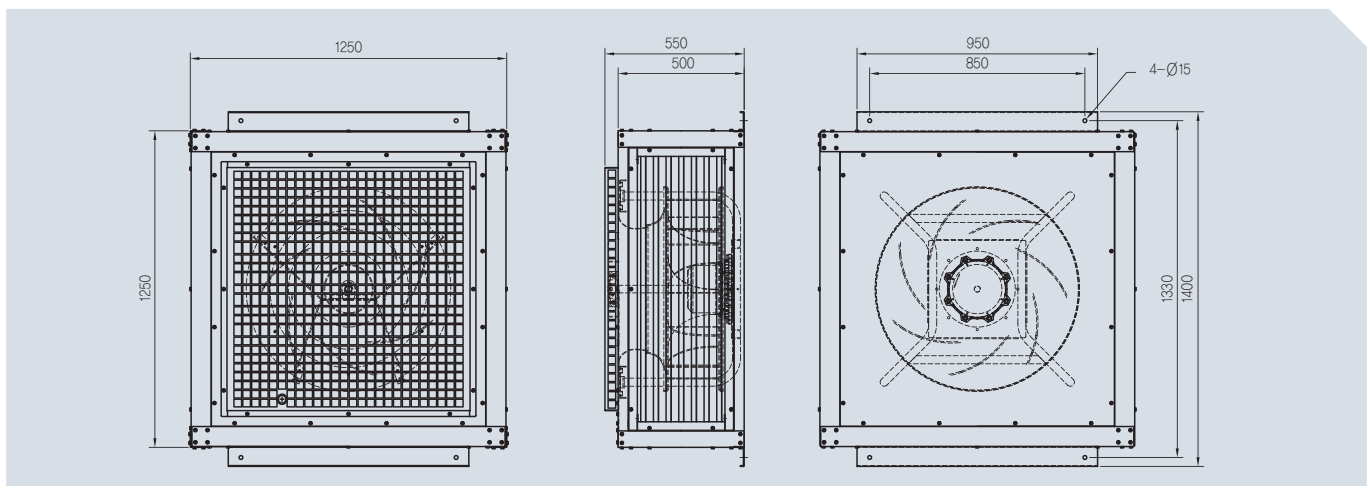
Power source			Type	Static Pressure	Air Volume	Motor power	Current
Phase	V	Hz		mmAq	CMH	KW	A
φ 3	380~ 440	50/ 60Hz	SIDE MESH	10	18000	3.0	6.9
				15	17000		7.1

• AMH-2000SF (SIDE FLANGE)



Power source			Type	Static Pressure	Air Volume	Motor power	Current
Phase	V	Hz		mmAq	CMH	KW	A
φ 3	380~ 440	50/ 60Hz	SIDE FLANGE	10	18000	3.0	6.7
				15	19000		7.0

• AMH-2000SG (SIDE GRILL)



Power source			Type	Static Pressure	Air Volume	Motor power	Current
Phase	V	Hz		mmAq	m³/min	W	A
φ 3	380~ 440	50/ 60Hz	SIDE GRILL	10	18000	3.0	6.8
				15	19000		7.1