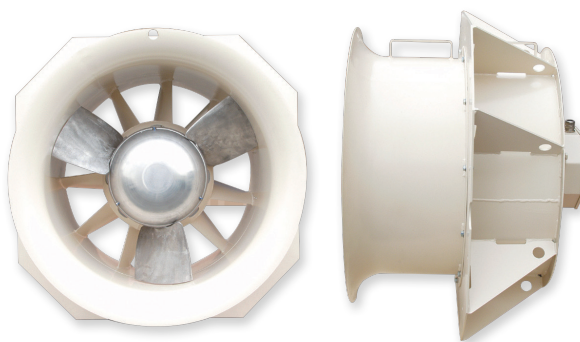


MAIN TRANSFORMER BLOWERS

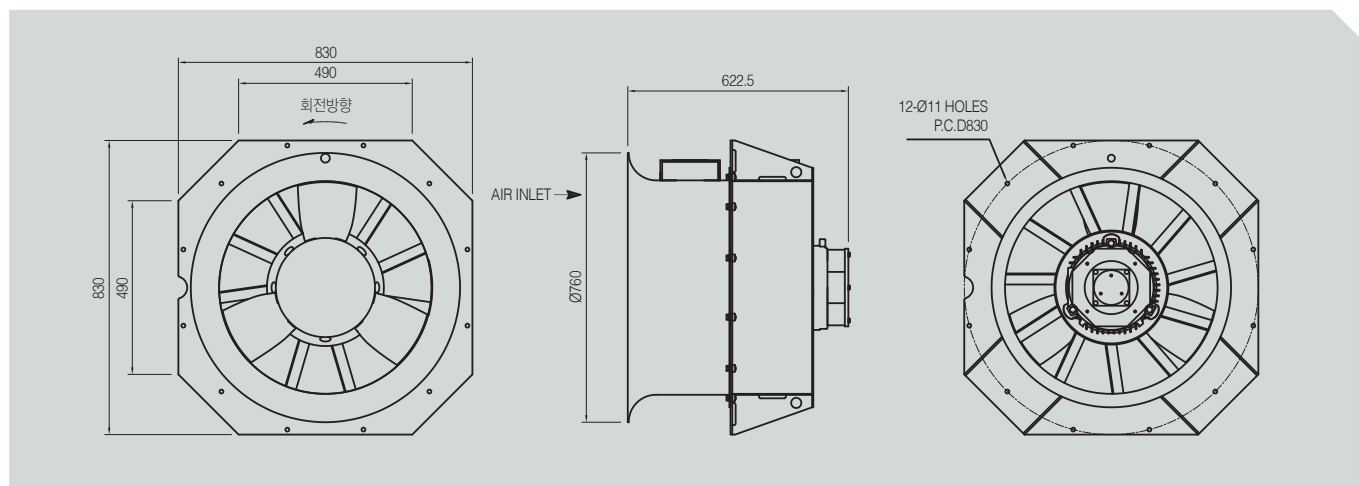
Characteristics

- Excellence in performance as the benefits of axial fans maximized

MODEL	Motor power		Static Pressure		Air Volume
	kw	HP	Pa	mmAq	m ³ /min
KJ-T-TF	9	12	1686	172	432



• KJ-T-TF



Power source			Static Pressure Pa	Air Volume m ³ /min	Motor power W	Input power W	Current A	Rotative speed RPM
Phase	V	Hz						
∅ 3	315	60Hz	1686	432	9000	10000	20	2920

