

# IN-LINE DUCT FANS

## Characteristics

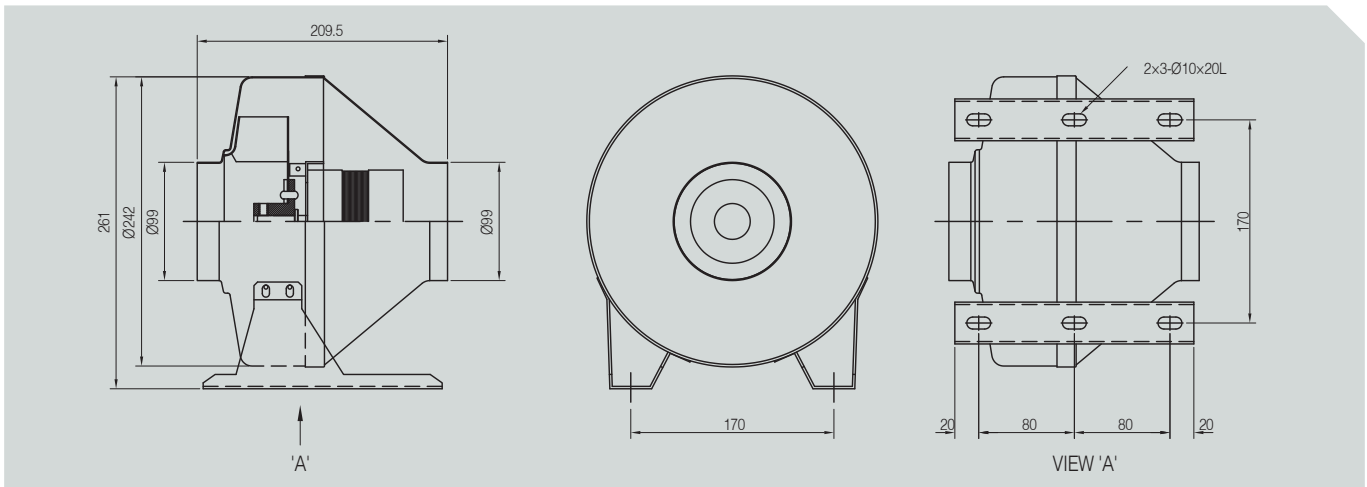
- With the adoption of specially designed mixed air-current type fan, excellence in performance as an axial flow ensured
- Installation and repair made easier due to direct connection of duct/ circular pipe
- Highly efficient axial flow fan achieved by implementing a special guide for leading internal airflow
- As a low-noise level model, suitable for improving and ventilating the residential environment



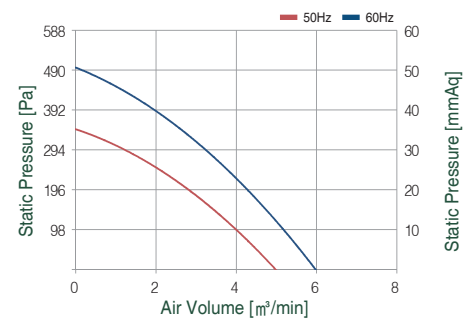
## Product data

MODEL	Motor Power		Static Pressure		Air Volume	Page
	kw	HP	Pa	mmAq	m <sup>3</sup> /min	
AD-010-020	0.04	0.053	519	53	5.3	57p
AD-015-020	0.04	0.053	392	40	6	
AD-020-040	0.08	0.053	294	30	20	58p
AD-025-040	0.25	1/3	451	46	33	
AD-030-040	0.75	1	637	65	54	59p
AD-035-040	2.2	3	902	92	82	
AD-035-060	0.8	1.06	461	47	63	60p
AD-025-020S (slim)	0.1	0.13	735	75	20	
AD-030-020S (slim)	0.15	0.11	853	87	28	61p

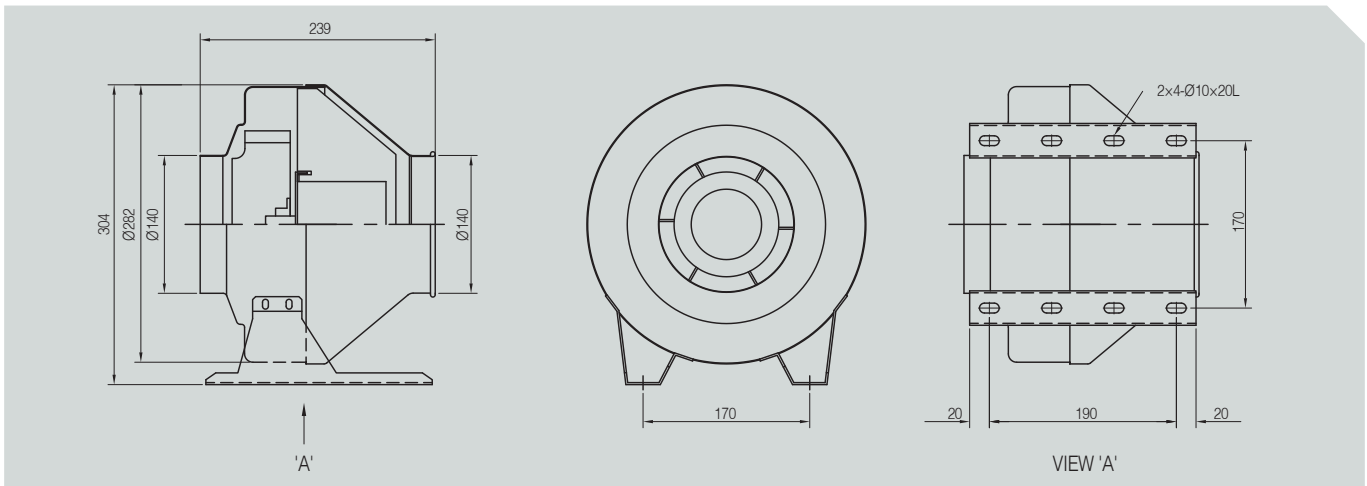
• AD-010-020



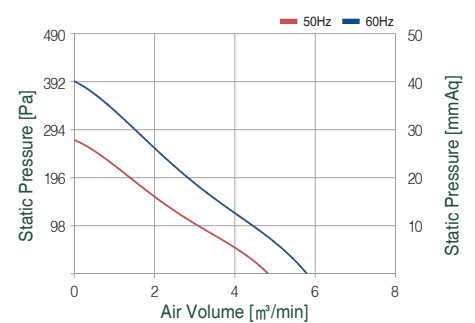
Power source			Static Pressure Pa	Air Volume m <sup>3</sup> /min	Motor power W	Input power W	Current A	Rotative speed RPM
Phase	V	Hz						
∅ 1	220	60Hz	520	5.3	40	90	0.8	3290
∅ 1	220	50Hz	375	4.3	30	70	0.6	2850



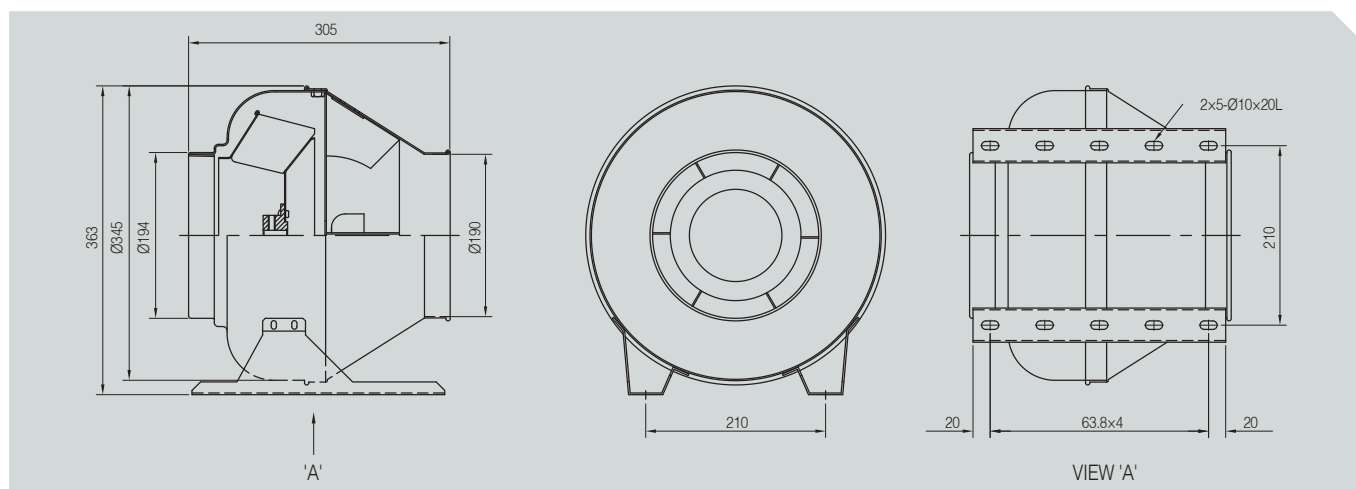
• AD-015-020



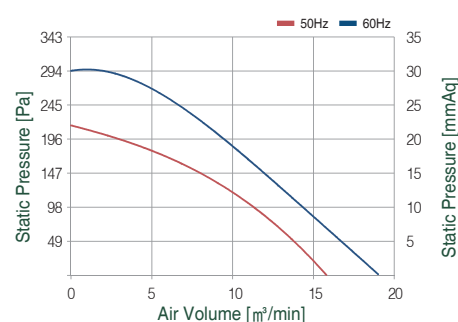
Power source			Static Pressure Pa	Air Volume m <sup>3</sup> /min	Motor power W	Input power W	Current A	Rotative speed RPM
Phase	V	Hz						
∅ 1	220	60Hz	392	6	40	80	0.4	3420
∅ 1	220	50Hz	275	4.8	30	60	0.3	2730



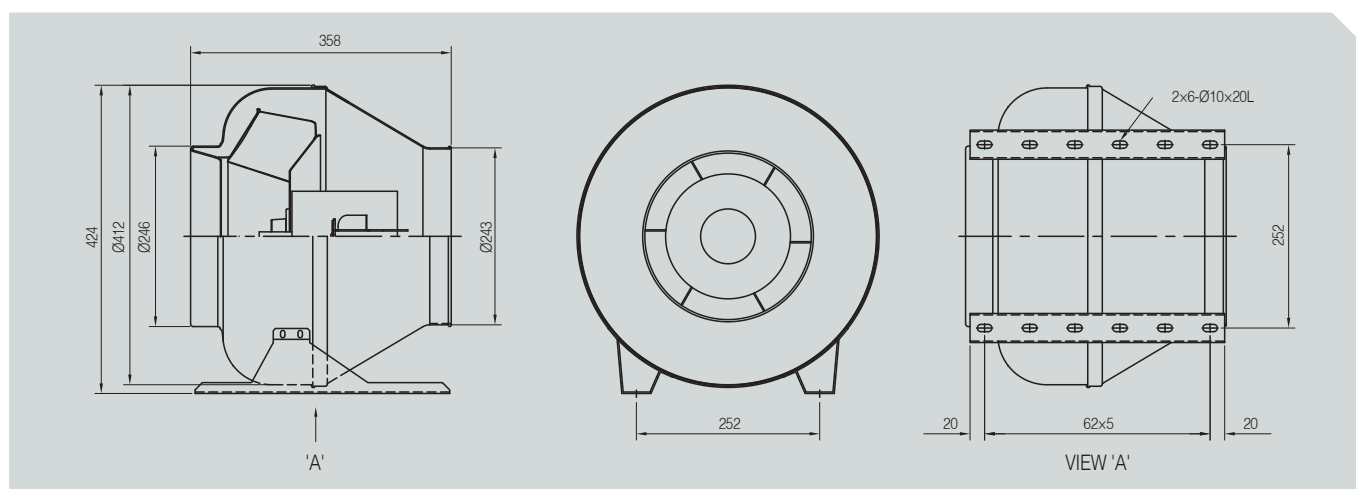
• AD-020-040



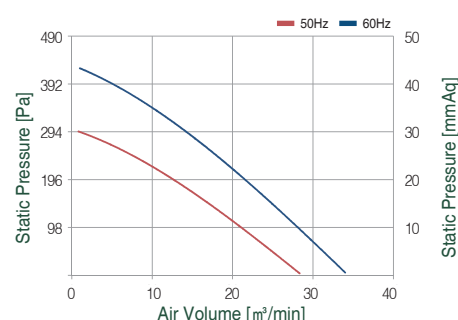
Power source			Static Pressure Pa	Air Volume m <sup>3</sup> /min	Motor power W	Input power W	Current A	Rotative speed RPM
Phase	V	Hz						
∅ 3	440	60Hz	294	20	80	138	0.3	1740
	380						0.4	
	220						0.6	
∅ 1	220					150	0.7	
	440						0.3	
∅ 3	380	50Hz	215	16	65	90	0.4	1470
	220						0.6	
	∅ 1						220	



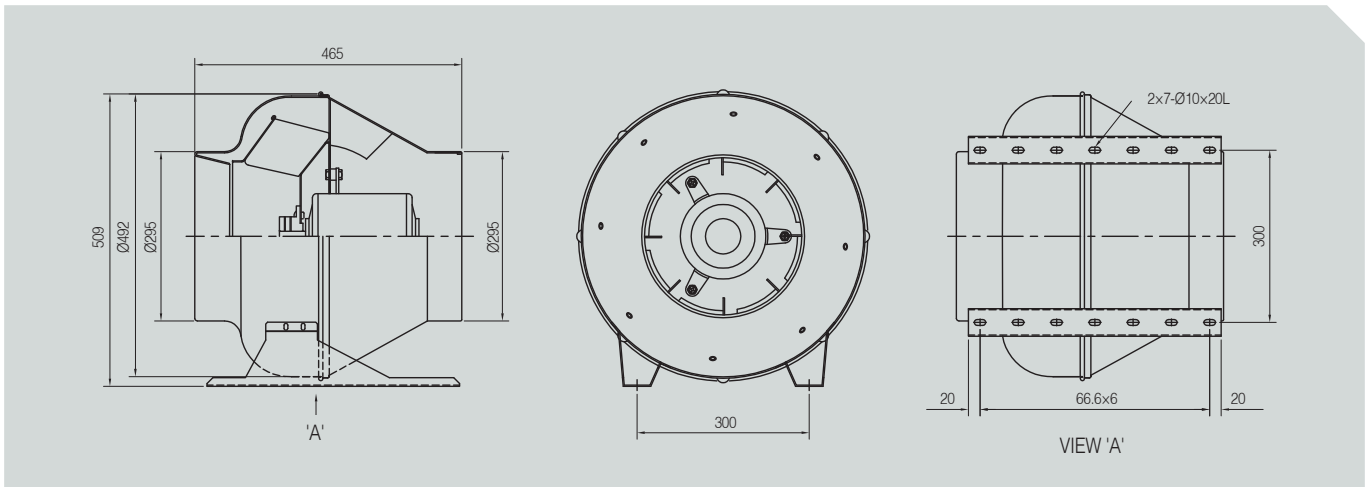
• AD-025-040



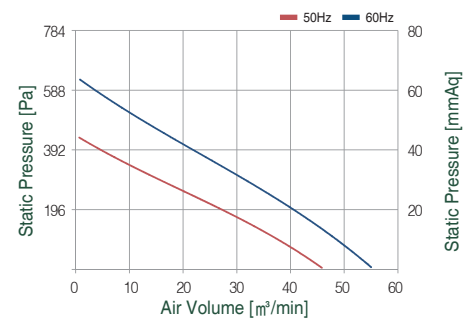
Power source			Static Pressure Pa	Air Volume m <sup>3</sup> /min	Motor power W	Input power W	Current A	Rotative speed RPM
Phase	V	Hz						
∅ 3	380	60Hz	451	33	250	380	0.8	1710
	220						1.3	
	∅ 1						220	
∅ 3	380	50Hz	323	28	200	270	0.6	1470
	220						1.0	
∅ 1	220						1.4	



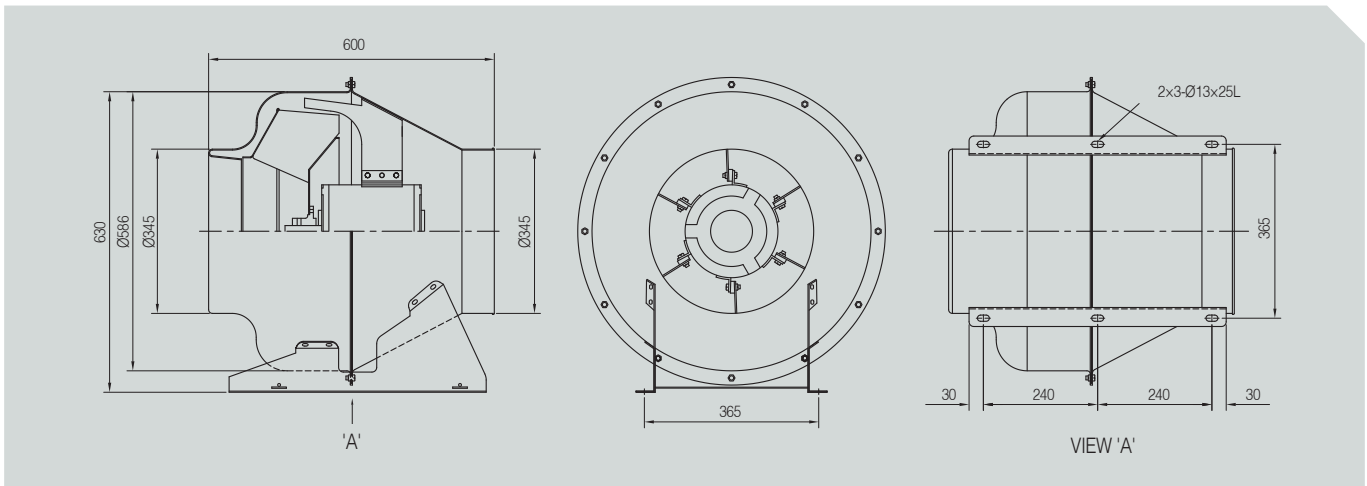
• AD-030-040



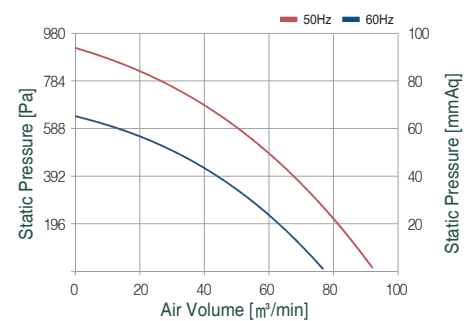
Power source			Static Pressure Pa	Air Volume m³/min	Motor power W	Input power W	Current A	Rotative speed RPM
Phase	V	Hz						
∅ 3	440	60Hz	637	54	750	1150	1.7	1740
	380						1.8	
	220						3.3	
∅ 1	220						5.3	
	440						1.6	
∅ 3	380	50Hz	530	43	600	690	1.7	1390
	220						3.0	
	∅ 1						220	



• AD-035-040

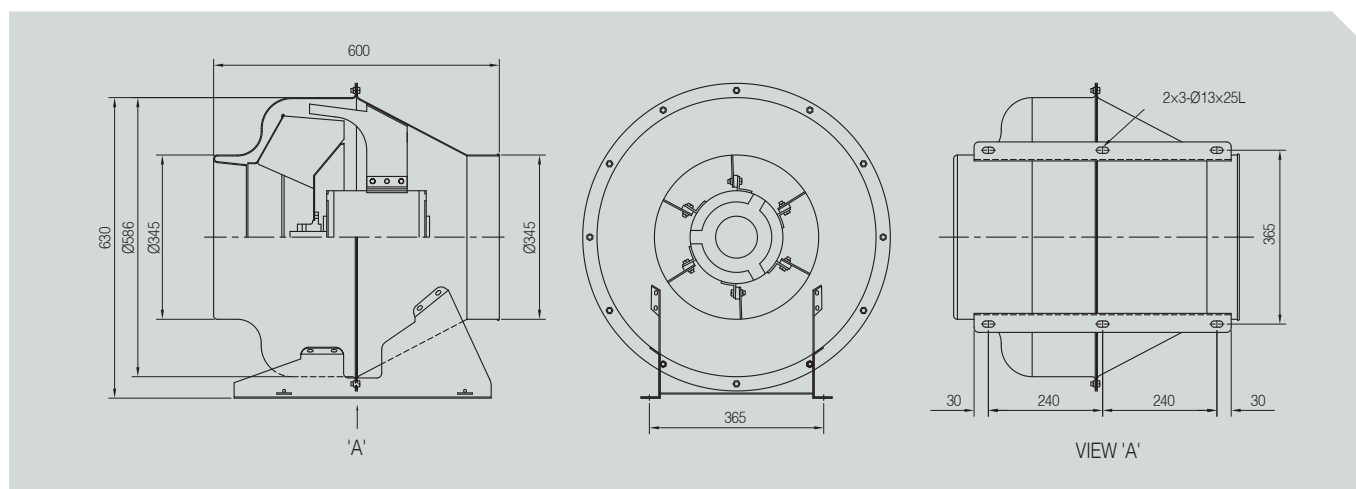


Power source			Static Pressure Pa	Air Volume m³/min	Motor power W	Input power W	Current A	Rotative speed RPM
Phase	V	Hz						
∅ 3	440	60Hz	902	82	2200	2740	4.0	1740
	380						4.7	
	220						8.7	
∅ 1	440						4.0	
	380						4.7	
∅ 3	380	50Hz	720	65.5	1700	1780	4.7	1390
	220						7.0	

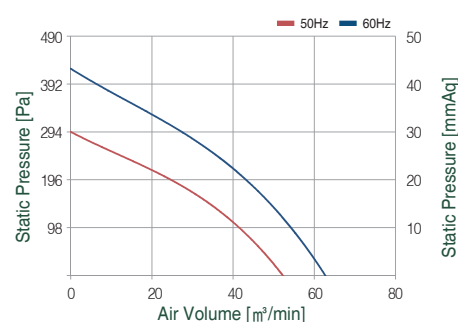


IN-LINE DUCT FANS

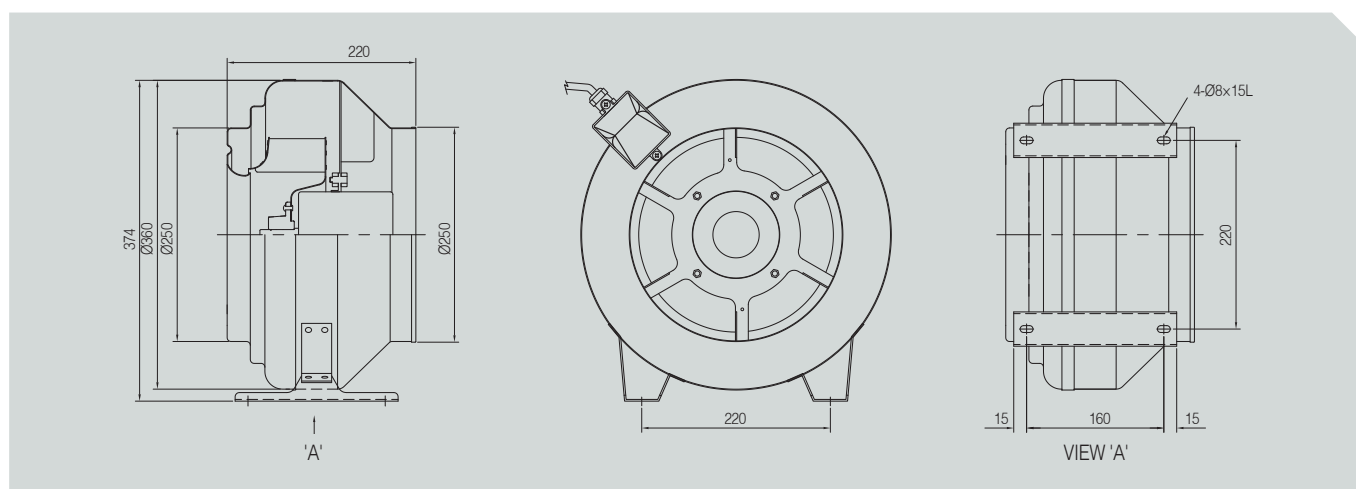
• AD-035-060



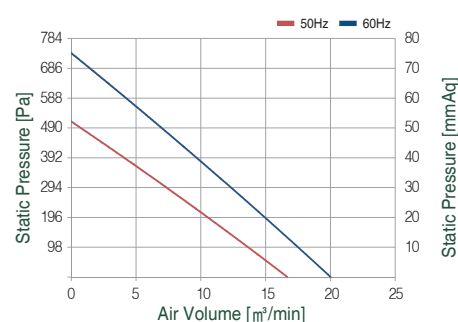
Power source			Static Pressure Pa	Air Volume m <sup>3</sup> /min	Motor power W	Input power W	Current A	Rotative speed RPM
Phase	V	Hz						
∅ 3	380	60Hz	461	63	800	1100	3.0	1190
	220						5.2	
∅ 3	380	50Hz	294	53	640	880	2.5	1000
	220						4.0	



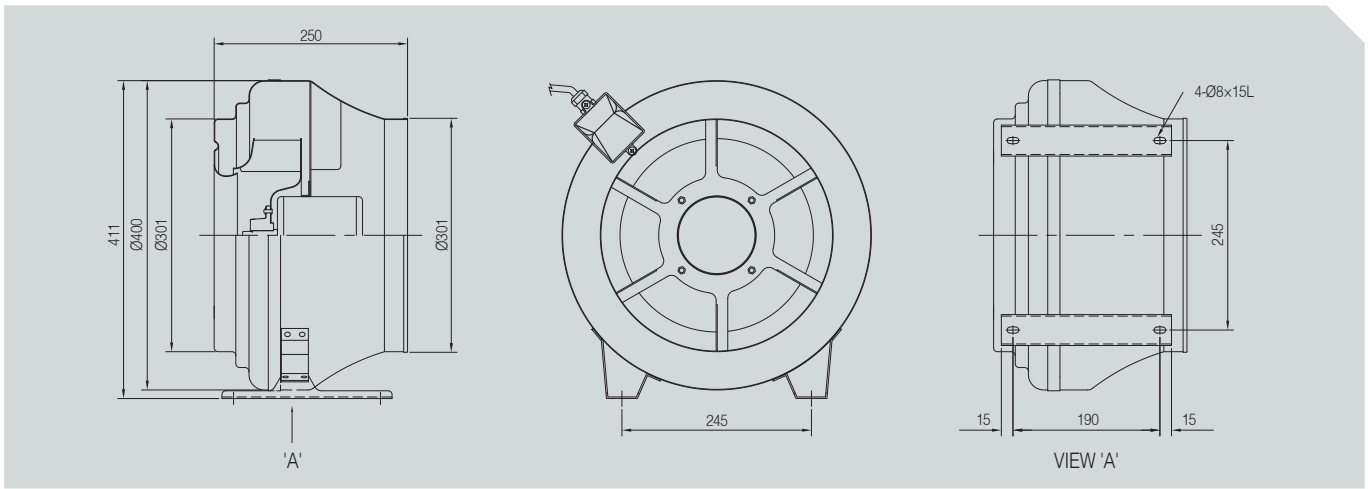
• AD-025-020S (Slim type)



Power source			Static Pressure Pa	Air Volume m <sup>3</sup> /min	Motor power W	Input power W	Current A	Rotative speed RPM
Phase	V	Hz						
∅ 1	220	60Hz	735	20	100	290	1.2	3150
∅ 1	220	50Hz	530	16.8	100	170	0.8	2650



• AD-030-020S (Slim type)



Power source			Static Pressure Pa	Air Volume m <sup>3</sup> /min	Motor power W	Input power W	Current A	Rotative speed RPM
Phase	V	Hz						
φ 1	220	60Hz	853	28	150	360	1.5	3550
φ 1	220	50Hz	593	23	150	210	0.9	2960

