

OTHER FANS

SIROCCO IMPELLERS, FORWARD CURVED

Characteristics

- Impellers with 20~64 blades, forward curved with narrow width used for air- conditioning purpose
- Fan drive system divided into motor direct drive and V-belt drive
- Both single/ double inlet possible
- From the inlet viewpoint, rotation decided upon direction of clockwise or counter-clockwise

TURBO IMPELLERS, BACKWARD CURVED

Characteristics

- Suitable for intake and exhaust for high-static pressure with low air flow
- Designed to generate high-efficiency at high-speed rotation with narrow width of the blade
- Generally used with pressure from 100mmAq to 1000mmAq
- Applied for industrial usages such as air carriers and boilers

CROSS FLOW IMPELLERS, FORWARD CURVED

Characteristics

- High air flow generated with low level of noise
- With narrow blade, long blast possible
- Applied in air curtain, film dryer, fan coil unit, air washer, air conditioning and heater



SIROCCO IMPELLERS, FORWARD CURVED data

Conventional type

[mm]

MODEL	Wheel Dia	Wheel Width
	ØD	W
ASC-070-000	74	24,28,40
ASC-084-000	84	24,28,40
ASC-092-000	92	40
ASC-100-000	100	40,50,80
ASC-108-000	108	30,40
ASC-120-000	120	40,50,60
ASC-133-000	133	40,45,50,60
ASC-140-000	140	45,50,60,70,80
ASC-160-000	160	40,50,60,65,70,75,80,90
ASC-175-000	175	40,50,60,70,80,90,100
ASC-180-000	180	40,65,75,80,85,90,95
ASC-185-000	185	50,60,80,100
ASC-200-000	200	50,60,70,74,80,90,100
ASC-227-000	227	40,50,80,100
ASC-250-000	250	65,80,100,115
ASC-272-000	272	50,80,90,100
ASC-302-000	302	100,105,115
ASC-350-000	350	106
ASC-380-000	380	120

Molding type

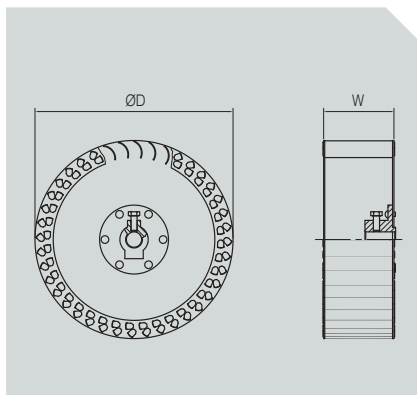
[mm]

MODEL	Wheel Dia	Wheel Width
	ØD	W
ASP-080-000	80	40
ASP-088-000	88	28,40
ASP-090-000	90	28,40
ASP-100-000	100	40,50
ASP-105-000	105	28,50,60,80,90
ASP-118-000	118	25,50,60,80
ASP-125-000	125	50,60,70,80
ASP-132-000	132	50,60,80
ASP-140-000	140	50,60,70,80,90,100,105
ASP-148-000	148	40,48,50,60,70,80,90,100,105
ASP-154-000	154	48,50,60,70,80,90,100
ASP-160-000	160	80,90
ASP-175-000	175	50,60,70,80,90,100,105,130
ASP-200-000	200	50,60,70,80,90,100,105
ASP-227-000	227	50,60,70,80,90,100,105,130
ASP-260-000	260	90,100,105,130
ASP-300-000	300	130,150

Rolling type

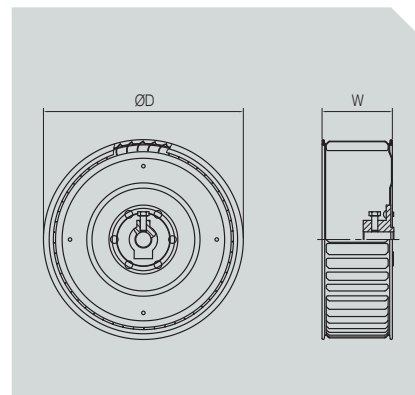
[mm]

MODEL	Wheel Dia	Wheel Width (W)	
	ØD	SINGLE INLET	DOUBLE INLET
ASR-145-000	145	140,150,160	
ASR-120-000	120	125	
ASR-190-000	190	190	
ASR-206-000	206	74,120	190
ASR-227-000	227	105	185,200,260
ASR-260-000	260	135	185,200,210,230,250,260
ASR-272-000	272	255,280	
ASR-274-000	274	185,272	
ASR-295-000	295	200,230,250,260,300	
ASR-328-000	328	200,240,270,280,300,328	
ASR-380-000	380	270,280,300,380	
ASR-450-000	450	450	



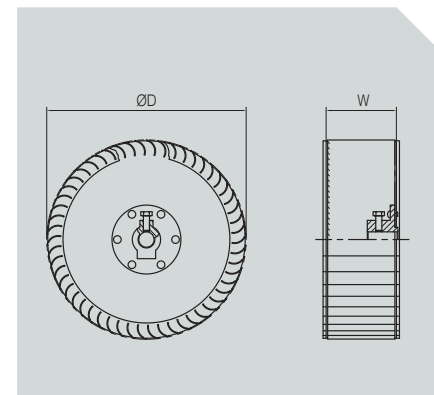
Characteristics

- High air volume. High static pressure.
- High speed R.P.M.
- The material of impeller is aluminum(AL), steel(GI).



Characteristics

- Low air volume. Low static pressure.
- Low speed R.P.M. Low noise sound.
- The wheel width is various and the material of impeller is aluminum(AL), steel(GI).



Characteristics

- High air volume. Low static pressure.
- The wheel width can be adjustable and efficiency is high.
- The material of impeller is aluminum(AL), steel(GI).

TURBO IMPELLERS, BACKWARD CURVED data

• Side plate straight type

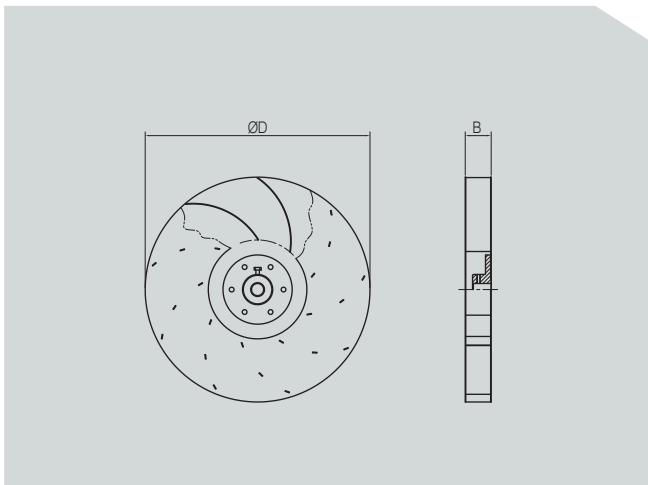
[mm]

MODEL	Wheel Dia	D1	B
	ØD		
ATS-121-000	121	65	15,20
ATS-140-000	140	65	11,14,17
ATS-150-000	150	65	11,13,17,22
ATS-153-000	153	65	11,13,17
ATS-160-000	160	65	11,17,22
ATS-170-000	170	75	17,22
ATS-180-000	180	75	17,22,30
ATS-200-000	200	75	17,32

• Side plate taper type

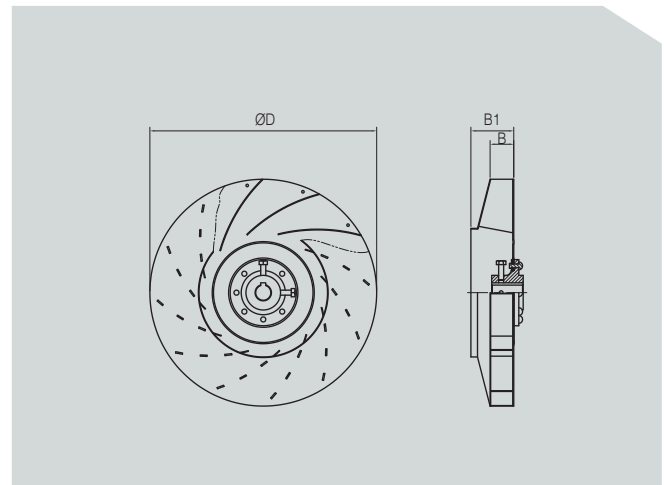
[mm]

MODEL	Wheel Dia	D1	B1	B
	ØD			
ATT-170-000	170	85	11	26
ATT-180-000	180	85	11	26
ATT-254-000	254	107	23	42
ATT-280-000	288	130	21	30
ATT-320-000	320	140	38	60
ATT-360-000	360	202	34.8	65
ATT-380-000	380	230	47	88



• Characteristics

- Used for small size and high pressure
- Suitable for high RPM
- Used for burner and boiler



• Characteristics

- Used for large size, high air volume and high pressure
- Used for carrying dust or foreign materials

CROSS FLOW IMPELLERS, FORWARD CURVED data

[mm]

MODEL	Wheel Dia	Wheel Dia	Material
	ØD	W	
ACA-040-000	Ø40	193	AL
ACA-045-000	Ø45	238	AL
ACA-055-000	Ø55	270	AL
ACA-060-000	Ø60	105, 153, 178, 230, 303, 380, 420, 680	AL
		105, 158, 210, 263	ABS
ACA-078-000	Ø78	224, 310, 332, 442, 550	AL
ACA-088-000	Ø88	224, 310, 332, 370, 442, 550	AL
ACA-090-000	Ø90	183, 275, 366, 458, 550, 642, 734, 810	ABS
ACA-095-000	Ø95	640	AL
ACA-097-000	Ø97	148, 222, 296, 370, 444, 518, 592	ABS
ACA-100-000	Ø100	193, 370, 450, 640, 780	AL
ACA-120-000	Ø120	360, 414, 502	AL/ABS
ACA-150-000	Ø150	350, 400, 500	AL

