

HIGH STATIC PRESSURE DUCT TYPE FANS

Characteristics

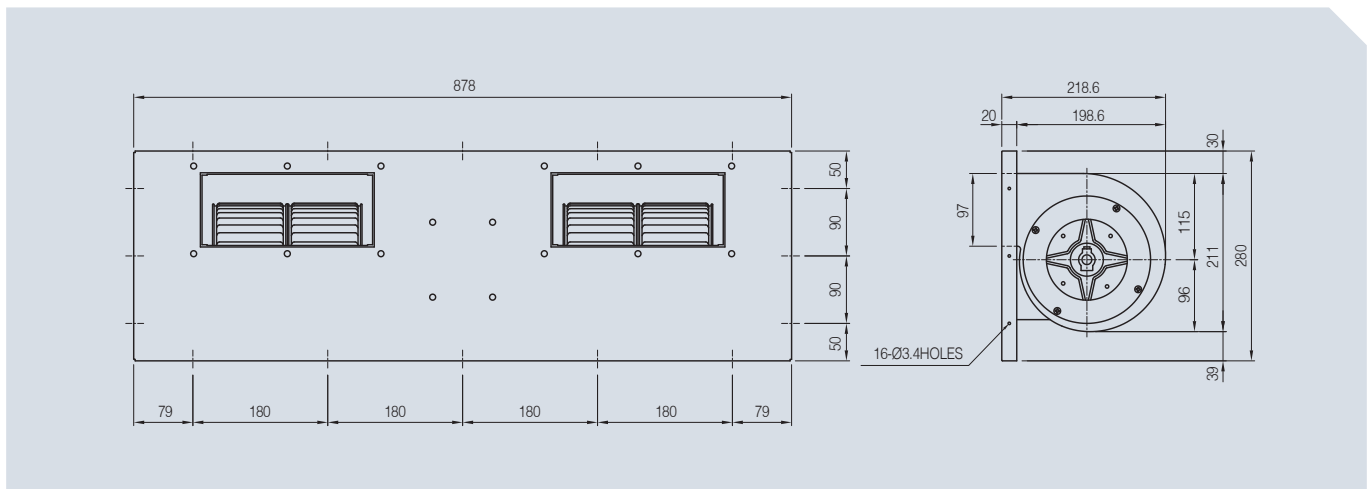
- Structure suited for cassette type high static pressure ceiling blower
- With the adoption of motor direct drive system, high airflow and high static pressure achieved relative to the area of installation
- High efficiency achieved through optimal design of the fan
- With the adoption of biaxial direct drive system, handling and installation made easier (1 motor + 2 fans)
- Level of noise and vibration lowered by mounting a motor equipped with self anti-vibration rubber



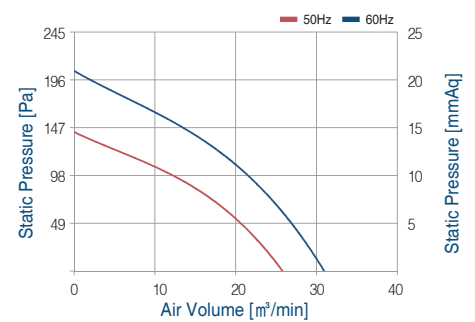
Product data

MODEL	Motor Power	Static Pressure		Air Volume	Page
	kw	Pa	mmAq	m ³ /min	
ATP-0680-040	0.11	196.0	20	32	91p
ATP-0780-040	0.27	274.4	28	48	
ATP-0880-040	0.32	294.0	30	54	92p
ATP-0980-040	0.4	460.6	47	65	

• ATP-0680-040

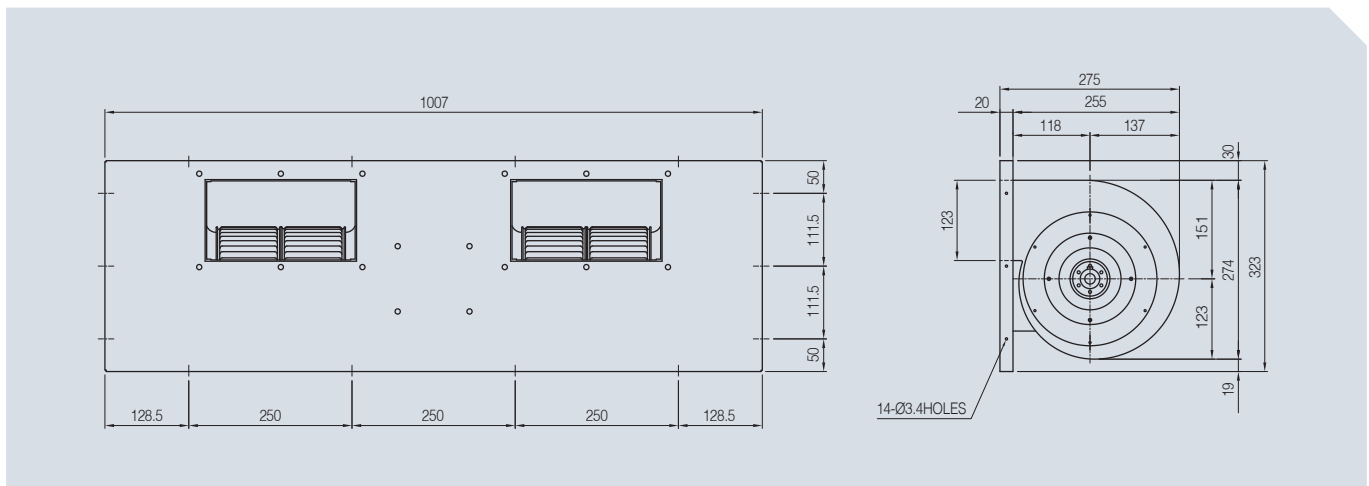


Power source			Static Pressure Pa	Air Volume m ³ /min	Motor power W	Input power W	Current A	Rotative speed RPM
Phase	V	Hz						
φ 1 φ 3	220	60Hz	196	20	110	240	1.5	1650
	380							
φ 1 φ 3	220	50Hz	137	14	110	200	1.2	1350
	380							

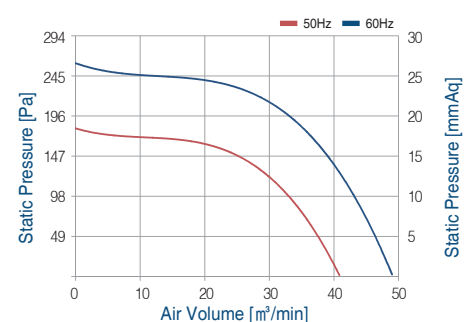


HIGH STATIC PRESSURE
DUCT TYPE FANS

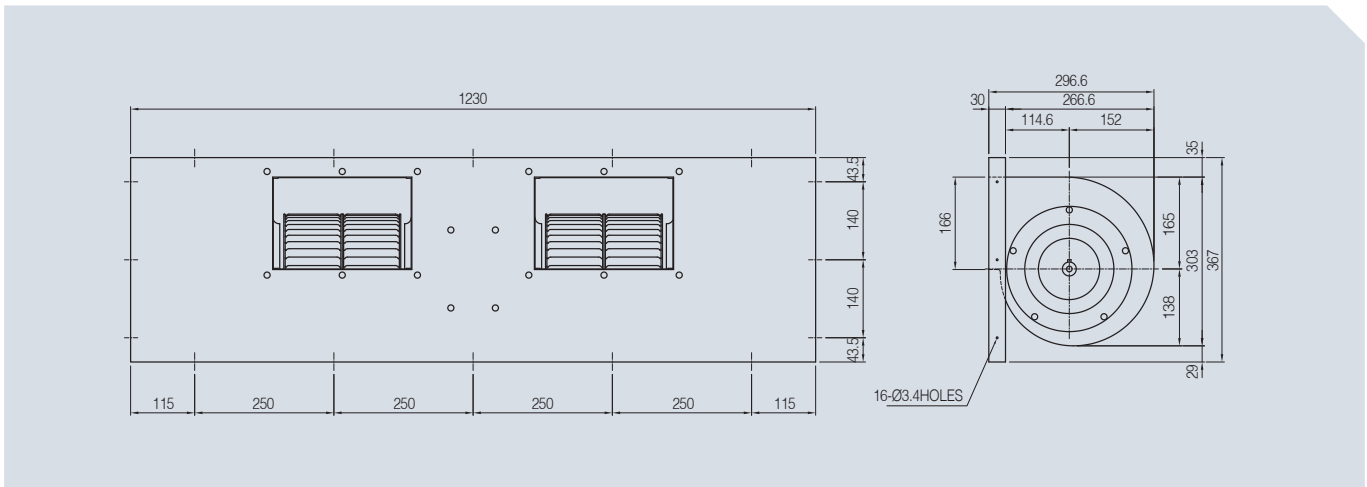
• ATP-0780-040



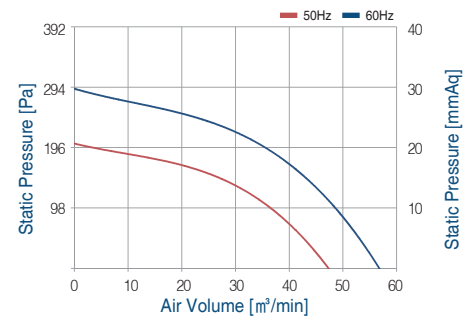
Power source			Static Pressure Pa	Air Volume m ³ /min	Motor power W	Input power W	Current A	Rotative speed RPM
Phase	V	Hz						
φ 1 φ 3	220	60Hz	274.4	48	270	420	2.5	1650
	380							
φ 1 φ 3	220	50Hz	196	39	270	353	2.0	1350
	380							



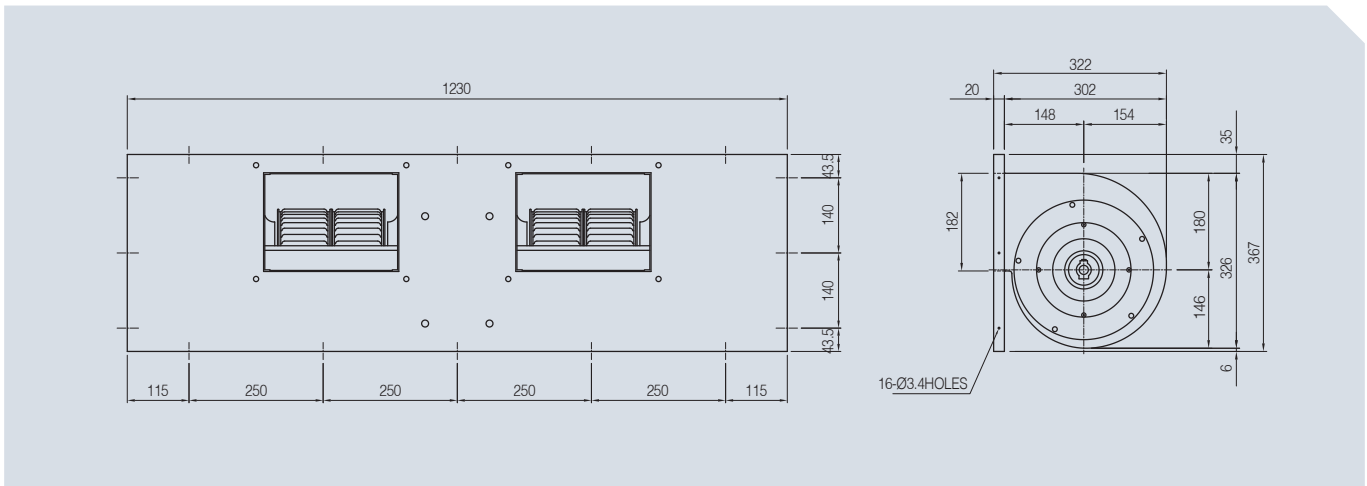
• ATP-0880-040



Power source			Static Pressure Pa	Air Volume m ³ /min	Motor power W	Input power W	Current A	Rotative speed RPM
Phase	V	Hz						
φ 1 φ 3	220	60Hz	294	54	320	610	3.0	1650
	380							
φ 1 φ 3	220	50Hz	196	45	320	500	2.4	1350
	380							



• ATP-0980-040



Power source			Static Pressure Pa	Air Volume m ³ /min	Motor power W	Input power W	Current A	Rotative speed RPM
Phase	V	Hz						
φ 1 φ 3	220	60Hz	460.6	65	400	970	4.5	1650
	380							
φ 1 φ 3	220	50Hz	294	52	400	770	3.6	1350
	380							

