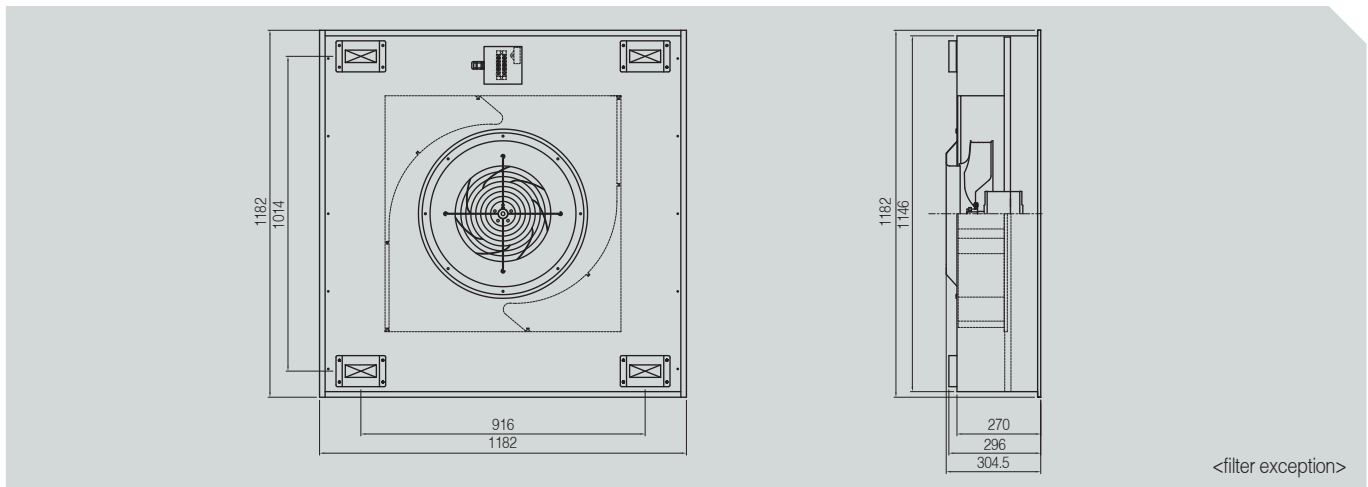


FFU (FAN FILTER UNIT)

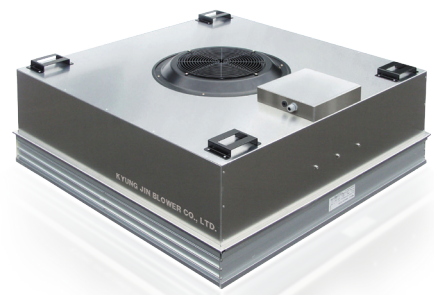
Characteristics

- Level of noise and vibration lowered (high volume of airflow possible)
- Easy handling and installation due to light-weight
- Ultra power saving realized through adoption of a highly efficient design
- Various size of the product available

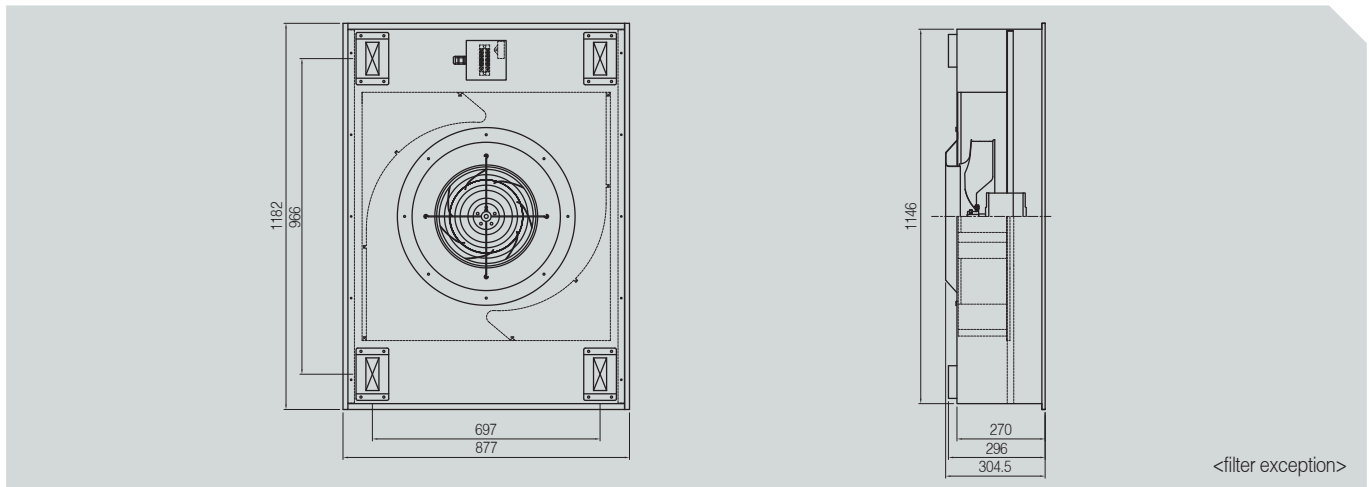
• KJ FFU - A TYPE



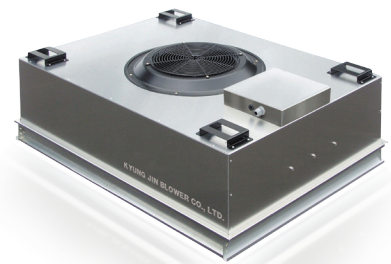
Power source			Static Pressure		Air Velocity	Impeller	Input power	Current	Rotative speed
Phase	V	Hz	External	Filter					
			Pa		m/s	mm	W	A	RPM
φ 1 φ 3	220	60Hz	88	93	0.45	Ø470	220	0.9	1050
	380								
φ 1 φ 3	220	50Hz	88	93	0.4	Ø470	185	0.8	930
	380								



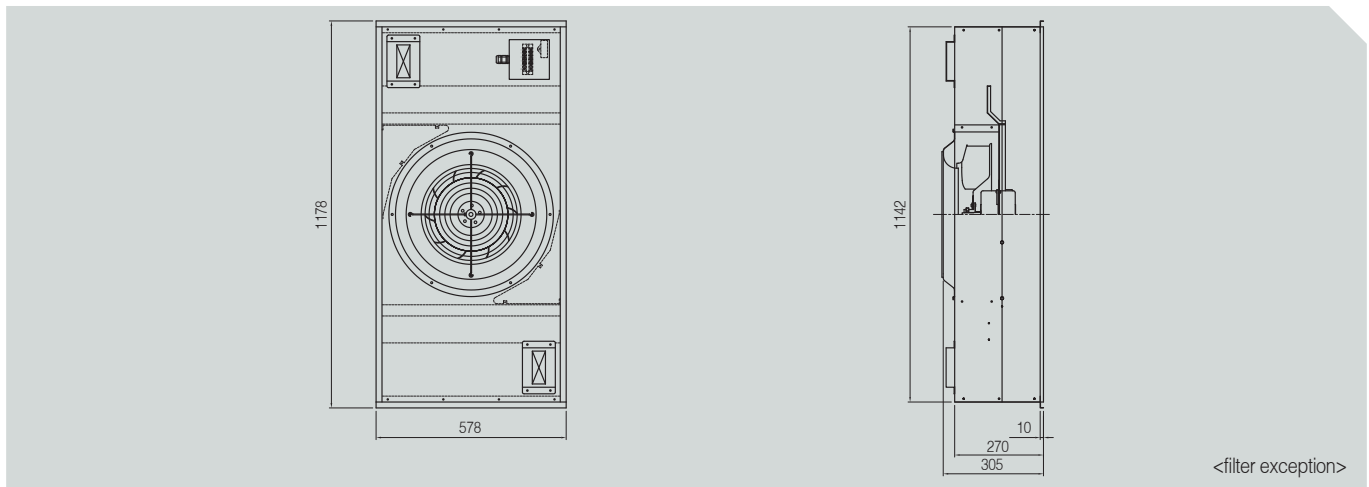
• KJ FFU - B TYPE



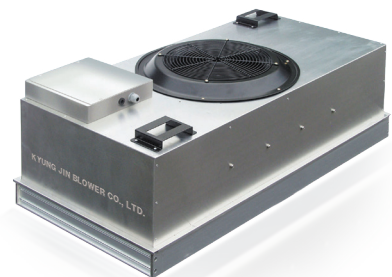
Power source			Static Pressure		Air Velocity	Impeller	Input power	Current	Rotative speed
Phase	V	Hz	External	Filter					
			Pa		m/s	mm	W	A	RPM
φ 1 φ 3	220	60Hz	88	93	0.4	Ø470	200	0.8	1060
	380								
φ 1 φ 3	220	50Hz	88	93	0.4	Ø470	160	0.7	950
	380								



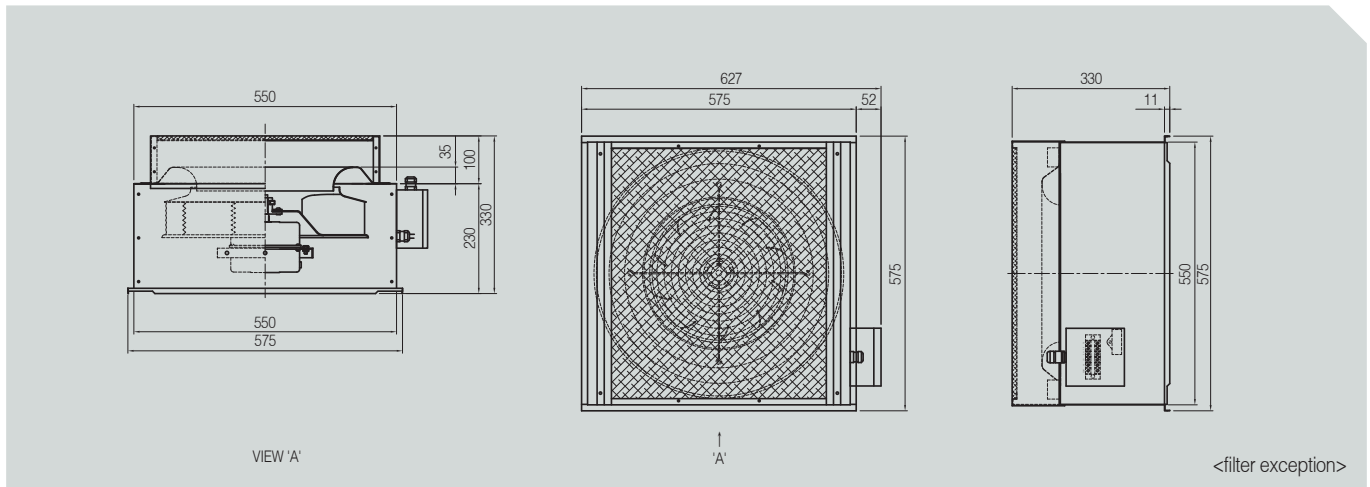
• KJ FFU - C TYPE



Power source			Static Pressure		Air Velocity	Impeller	Input power	Current	Rotative speed
Phase	V	Hz	External	Filter					
			Pa		m/s	mm	W	A	RPM
φ 1 φ 3	220	60Hz	88	93	0.4	Ø432	180	0.8	1090
	380								
φ 1 φ 3	220	50Hz	88	93	0.4	Ø432	110	0.7	920
	380								



• KJ FFU - D TYPE



Power source			Static Pressure		Air Velocity	Impeller	Input power	Current	Rotative speed
			External	Filter					
Phase	V	Hz	Pa		m/s	mm	W	A	RPM
φ 1 φ 3	220	60Hz	88	93	0.4	Ø432	170	0.8	1090
	380								
φ 1 φ 3	220	50Hz	88	93	0.4	Ø432	110	0.7	920
	380								

