

CROSS FLOW FANS

Characteristics

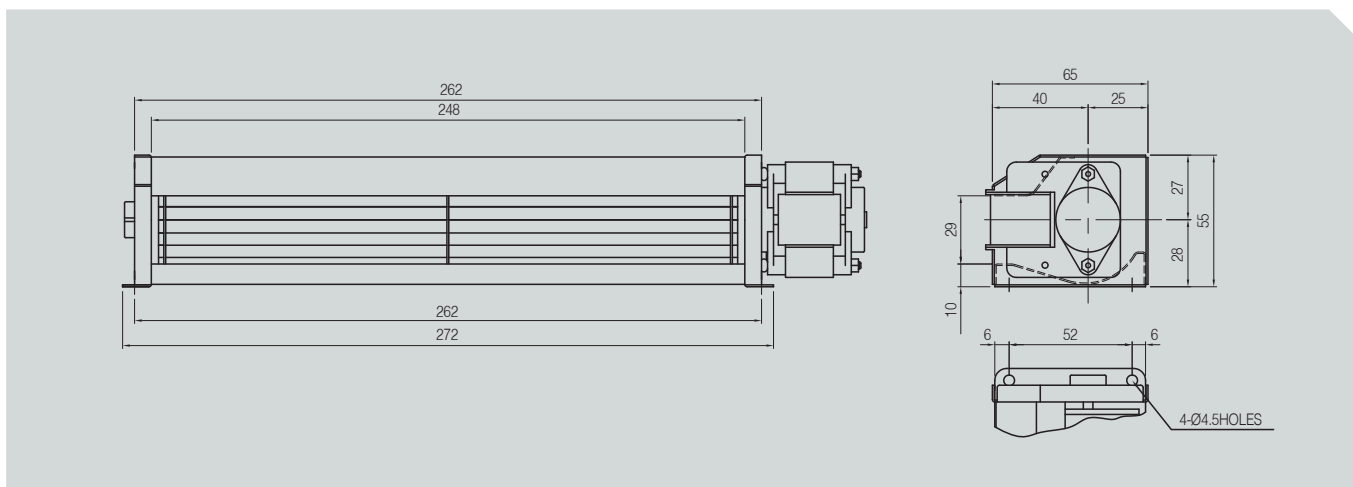
- With uniform distribution of airflow per length, excellence in operation with lower level of noise achieved
- With less vortex generation, excellent function in reaching distance ensured
- Specifications available to be customized in accordance to customer's order request. (RPM 2-8 poles)
- Various models available per size of the product



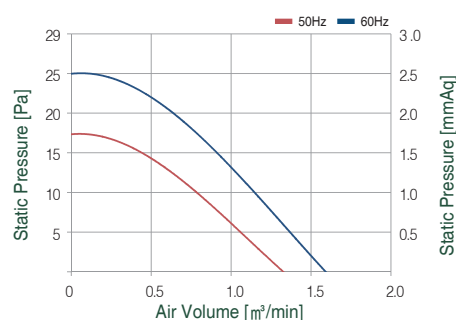
Product data

MODEL	Static Pressure		Air Volume	Page
	Pa	mmAq	m ³ /min	
AC-045-020	24.5	2.5	1.6	129p
AC-060-010	39.2	4	2.0	
AC-060-020	39.2	4	3.1	130p
AC-060-030	39.2	4	4.2	
AC-060-040	39.2	4	5.8	131p
AC-060-050	39.2	4	6.5	
AC-090-070	58.8	6	14.1	132p
AC-097-030	58.8	6	5.0	
AC-097-040	58.8	6	7.0	133p
AC-097-050	58.8	6	8.5	
AC-097-060	58.8	6	9.5	134p

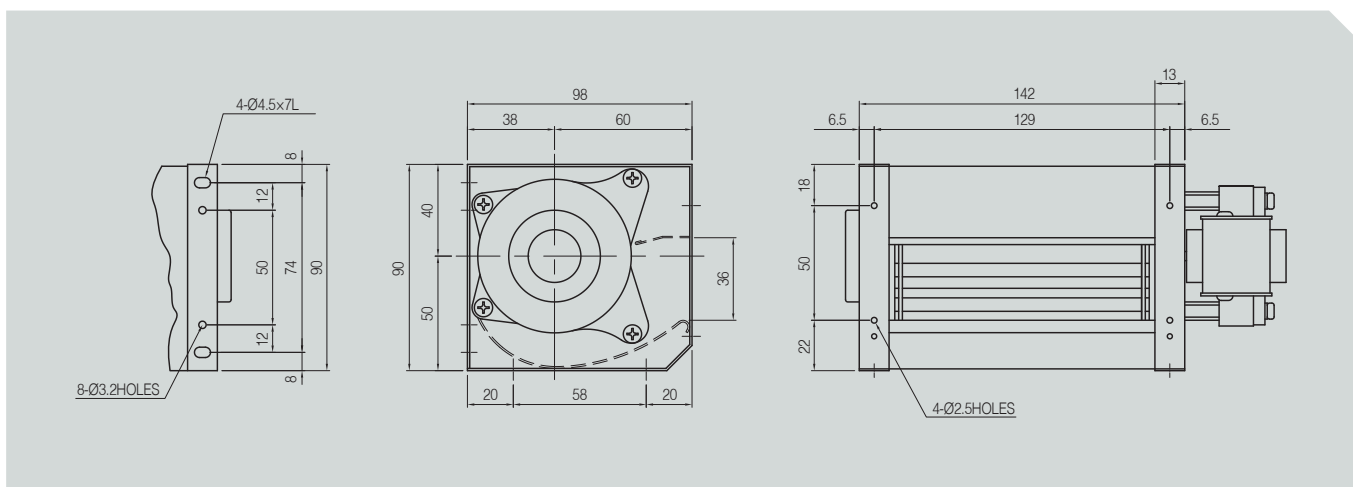
• AC-045-020



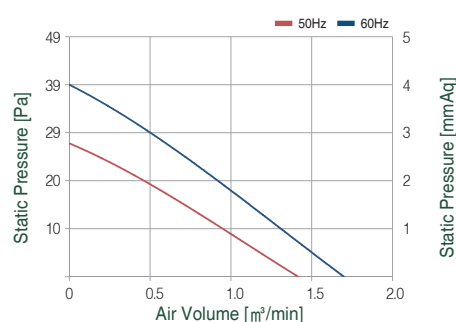
Power source			Static Pressure Pa	Air Volume m ³ /min	Motor power W	Input power W	Current A	Rotative speed RPM
Phase	V	Hz						
∅ 1	220	60Hz	24.5	1.6	4	13	0.1	2400
∅ 1	220	50Hz	17.6	1.4	4	8	0.1	2030



• AC-060-010

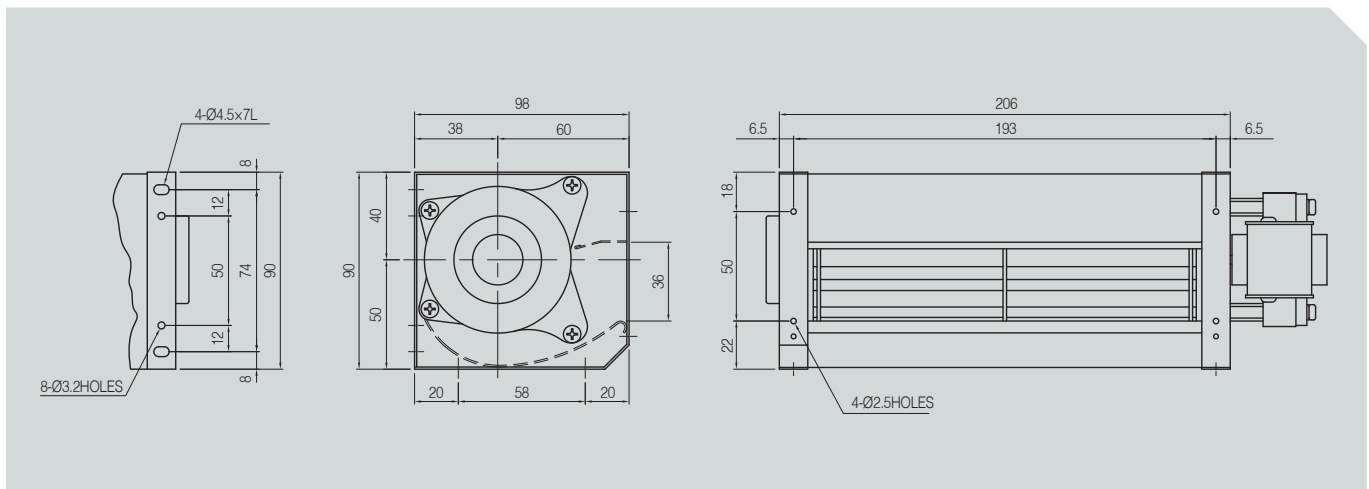


Power source			Static Pressure Pa	Air Volume m ³ /min	Motor power W	Input power W	Current A	Rotative speed RPM
Phase	V	Hz						
∅ 1	220	60Hz	39.2	2	15	21	0.2	2300
∅ 1	220	50Hz	19.6	1.5	15	12	0.1	1600

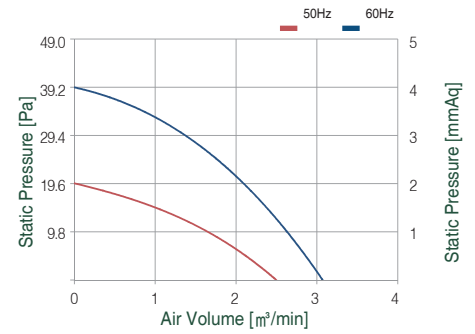


CROSS FLOW FANS

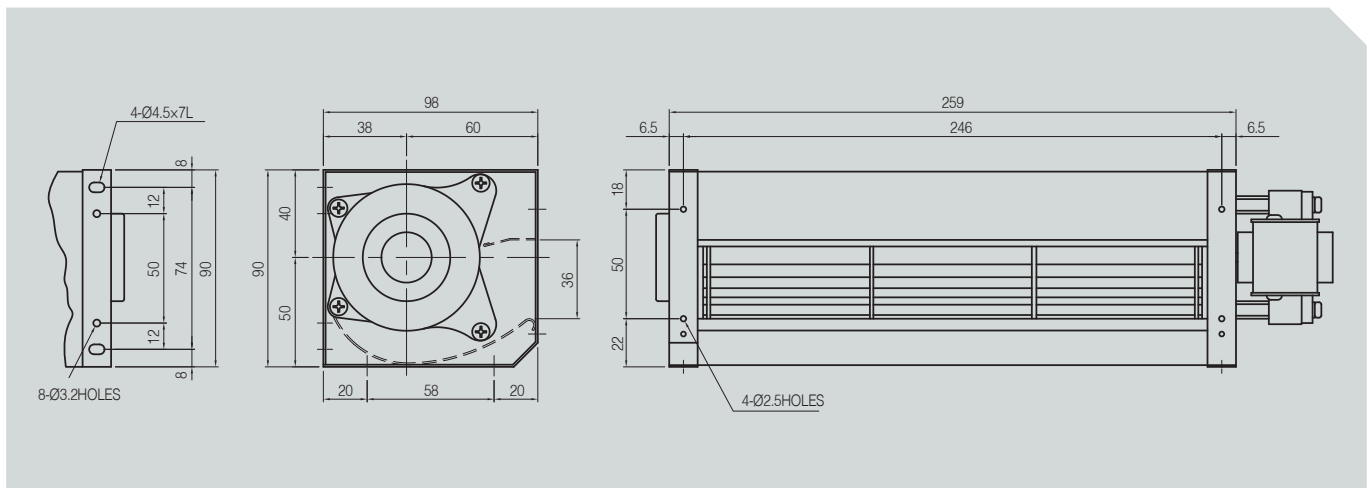
• AC-060-020



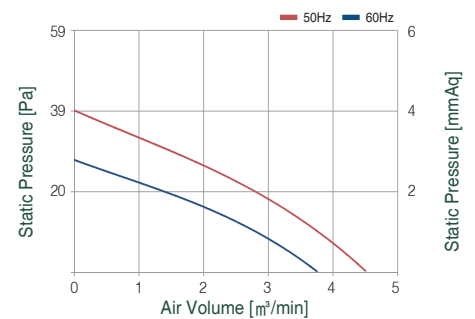
Power source			Static Pressure Pa	Air Volume m³/min	Motor power W	Input power W	Current A	Rotative speed RPM
Phase	V	Hz						
φ 1	220	60Hz	39.2	3.1	19	30	0.25	2200
φ 1	220	50Hz	19.6	2.4	18	20	0.20	1700



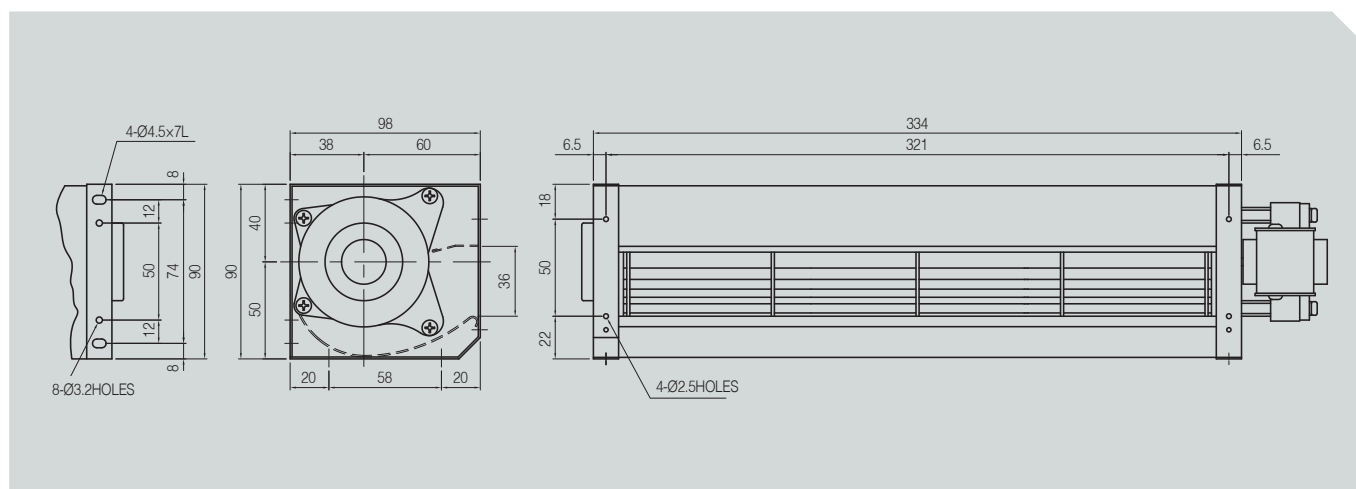
• AC-060-030



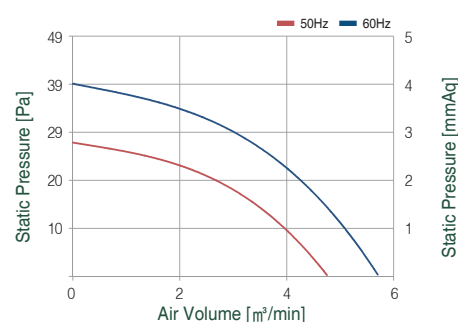
Power source			Static Pressure Pa	Air Volume m³/min	Motor power W	Input power W	Current A	Rotative speed RPM
Phase	V	Hz						
φ 1	220	60Hz	39.2	4.2	24	30	0.3	2300
φ 1	220	50Hz	19.6	3	24	20	0.2	1600



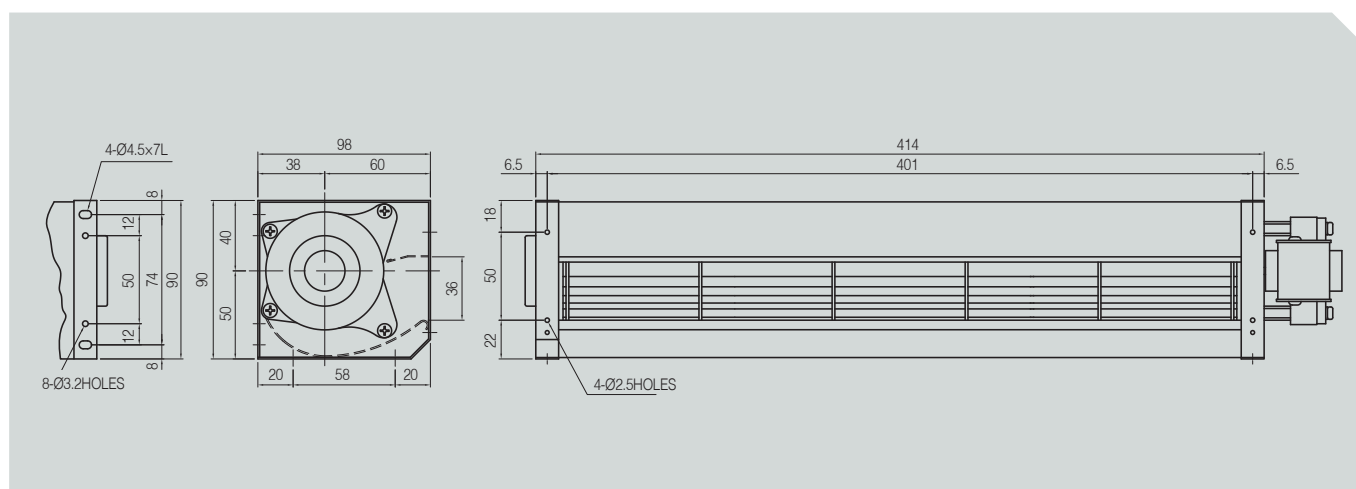
• AC-060-040



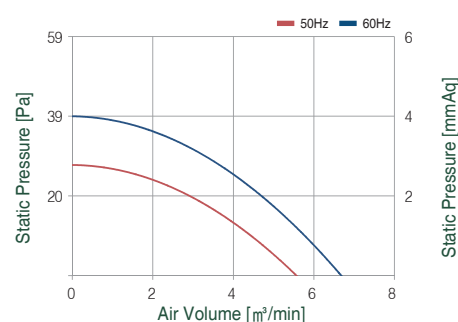
Power source			Static Pressure Pa	Air Volume m ³ /min	Motor power W	Input power W	Current A	Rotative speed RPM
Phase	V	Hz						
φ 1	220	60Hz	39.2	5.8	34	50	0.4	2300
φ 1	220	50Hz	19.6	4.2	34	30	0.3	1600



• AC-060-050

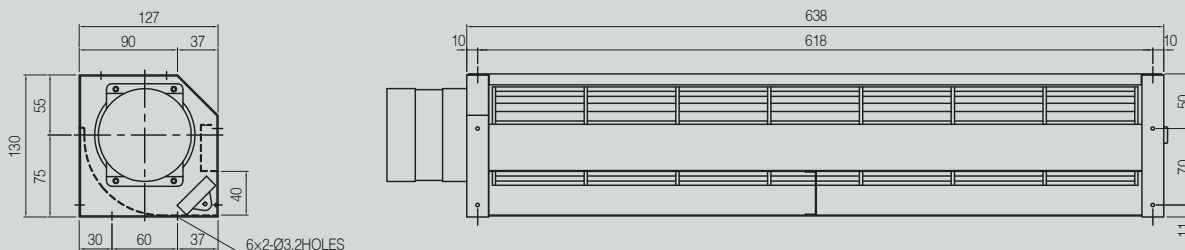


Power source			Static Pressure Pa	Air Volume m ³ /min	Motor power W	Input power W	Current A	Rotative speed RPM
Phase	V	Hz						
φ 1	220	60Hz	39.2	6.5	40	60	0.4	2300
φ 1	220	50Hz	19.6	5	40	40	0.3	1600

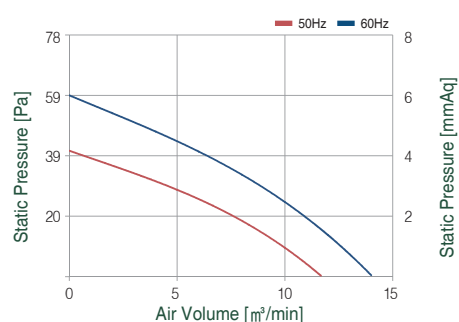


CROSS FLOW FANS

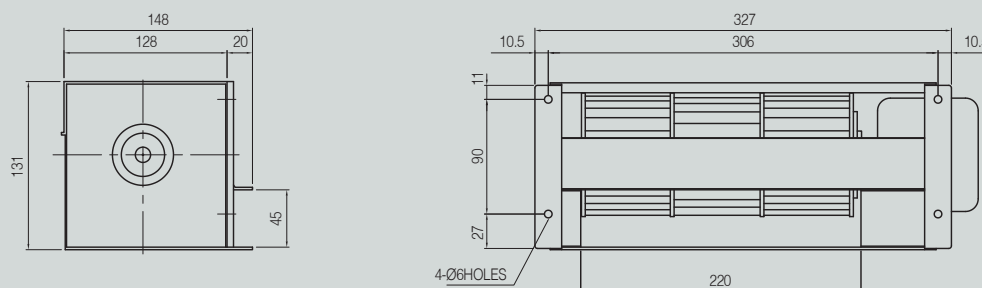
• AC-090-070



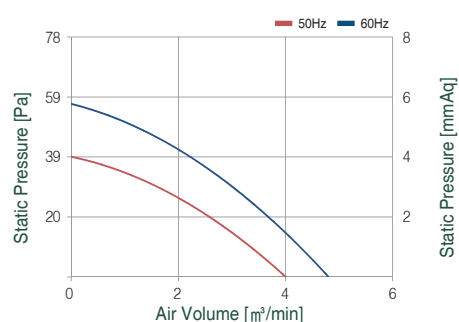
Power source			Static Pressure Pa	Air Volume m³/min	Motor power W	Input power W	Current A	Rotative speed RPM
Phase	V	Hz						
∅ 1	220	60Hz	58.8	14.1	25	50	0.3	1400
∅ 1	220	50Hz	59.2	11.6	22	40	0.2	1160



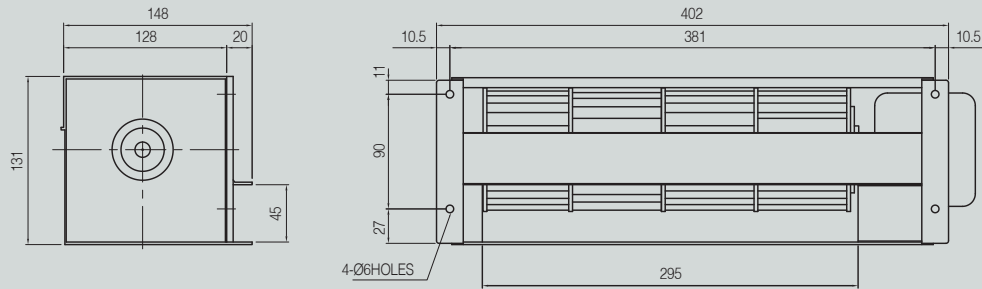
• AC-097-030



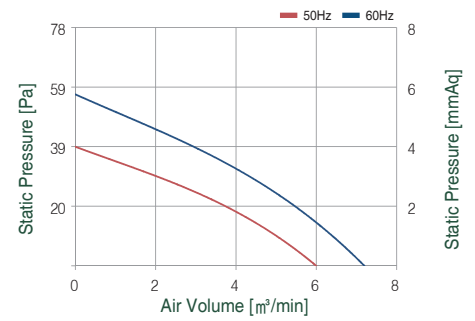
Power source			Static Pressure Pa	Air Volume m³/min	Motor power W	Input power W	Current A	Rotative speed RPM
Phase	V	Hz						
∅ 1	220 380	60Hz	58.8	5	40	50	0.2	1650
∅ 1	220 380	50Hz	39.2	4	40	40	0.2	1350



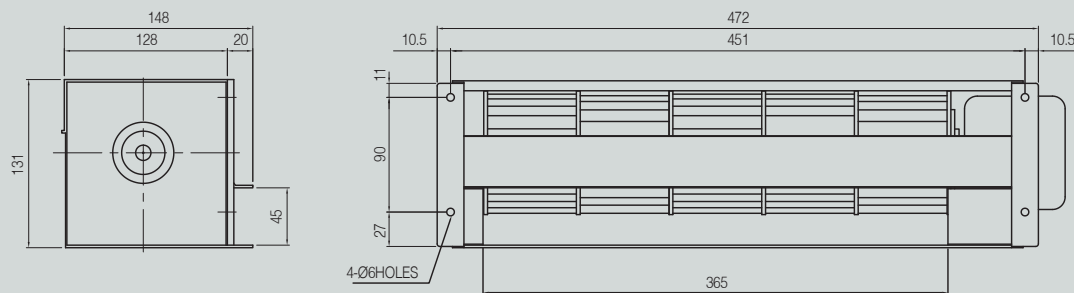
• AC-097-040



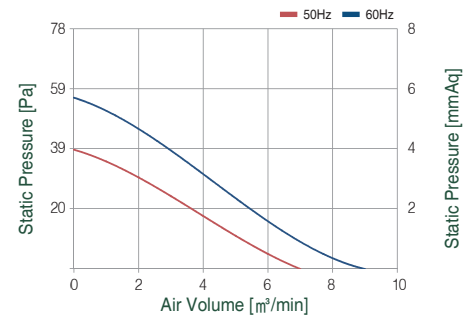
Power source			Static Pressure Pa	Air Volume m ³ /min	Motor power W	Input power W	Current A	Rotative speed RPM
Phase	V	Hz						
φ 1	220	60Hz	58.8	7	40	50	0.3	1650
	380							
φ 1	220	50Hz	39.2	6	40	40	0.3	1350
	380							



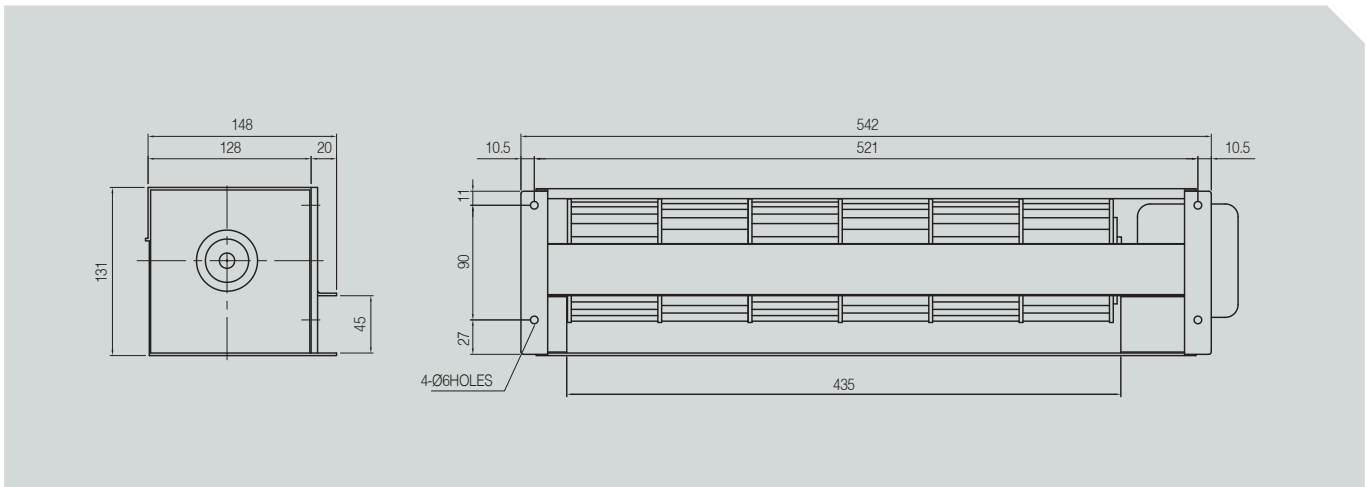
• AC-097-050



Power source			Static Pressure Pa	Air Volume m ³ /min	Motor power W	Input power W	Current A	Rotative speed RPM
Phase	V	Hz						
φ 1	220	60Hz	58.8	8.5	60	80	0.4	1650
	380							
φ 1	220	50Hz	39.2	7.5	60	70	0.3	1350
	380							



• AC-097-060



Power source			Static Pressure Pa	Air Volume m ³ /min	Motor power W	Input power W	Current A	Rotative speed RPM
Phase	V	Hz						
φ 1	220	60Hz	58.8	9.5	60	90	0.4	1650
	380							
φ 1	220	50Hz	39.2	8	60	70	0.3	1350
	380							

