

COMMERCIAL AIR CURTAINS

Characteristics

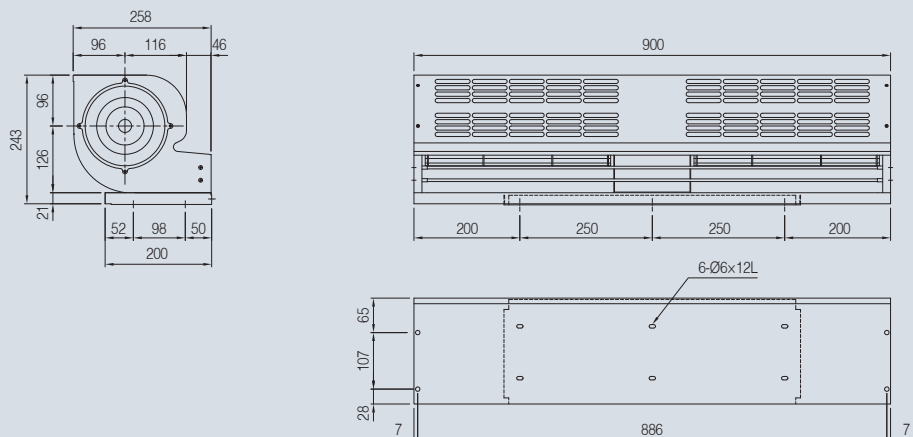
- Generally used in small and mid-sized freezers, terminals, large stores etc.
- Air fricatives minimized and efficiency of the fan maximized
- As a structure with detachable electric heaters, optimal heat capacity possible to be adjusted per sizes



Product data

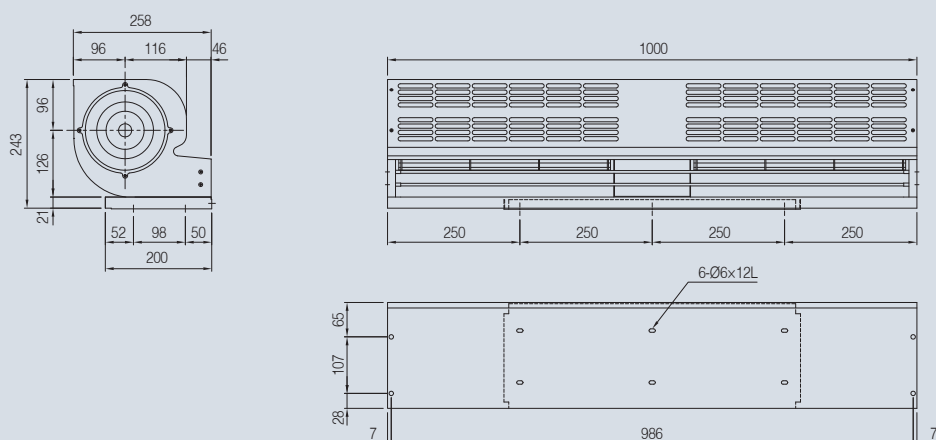
MODEL	Power source		Air Speed	Air Volume	Input power	heater	Page
	Phase	V	m/s	CMM	W	KW	
AC-150-900	φ 1, φ 3	220,	10.5	39	450	3~9	175p
AC-150-1000		220/380	10.5	44	450	6~10	
AC-150-1200				10.5	53	570	

• AC-150-900



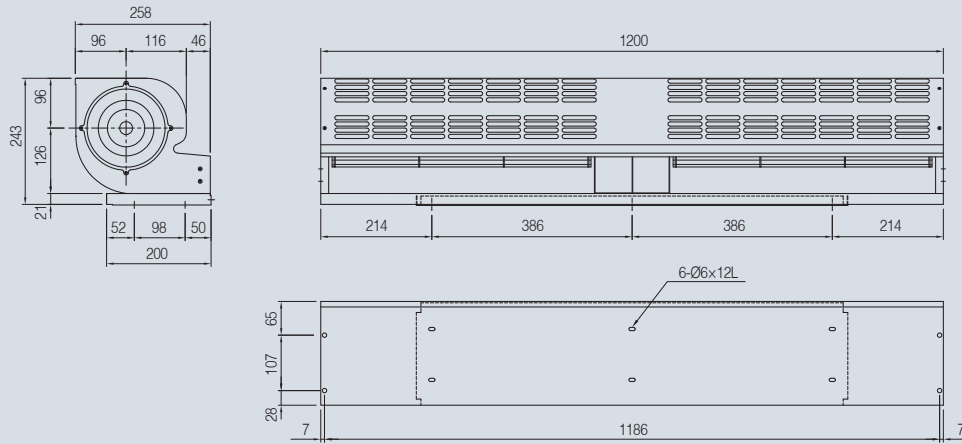
Power source			SPEED	Air Speed	Air Volume	Input power	Current	heater	Noise	Weight
Phase	V	Hz	STEP	m/s	CMM	W	A	kw	dB	Kg
φ 1	220	60Hz	HI	10.5	39	450	2.7	3~9	68	24
			LO	7.5	29	430	2.0		64	
φ 3	220		HI	10.5	39	370	1.3	3~9	68	
			380	10.5	39	370	0.7		68	
φ 1	220	50Hz	HI	8.5	32	360	2.2	3~9	66	24
			LO	6.0	24	340	1.6		62	
φ 3	220		HI	8.5	32	300	1.0	3~9	66	
			380	8.5	32	260	0.6		66	

• AC-150-1000



Power source			SPEED	Air Speed	Air Volume	Input power	Current	heater	Noise	Weight
Phase	V	Hz	STEP	m/s	CMM	W	A	kw	dB	Kg
φ 1	220	60Hz	HI	10.5	44	450	2.7	6~10	69	27
			LO	7.5	32	430	2.0		65	
φ 3	220		HI	10.5	44	370	1.3	6~10	69	
			380	10.5	44	370	0.7		69	
φ 1	220	50Hz	HI	8.5	35	400	2.5	6~10	67	27
			LO	6.0	26	370	1.8		62	
φ 3	220		HI	8.5	35	350	1.2	6~10	67	
			380	8.5	35	350	0.7		67	

• AC-150-1200



Power source			SPEED	Air Speed	Air Volume	Input power	Current	heater	Noise	Weight
Phase	V	Hz	STEP	m/s	CMM	W	A	kw	dB	Kg
φ 1	220	60Hz	HI	10.5	53	570	3.1	6~12	70	29
			LO	7.3	37	480	2.3		66	
φ 3	220		HI	10.5	53	440	1.5	6~12	70	
			380	HI	10.5	53	440		0.8	
φ 1	220	50Hz	HI	8.5	43	460	2.5	6~12	68	29
			LO	6.0	30	380	1.9		64	
φ 3	220		HI	8.5	43	380	1.2	6~12	68	
			380	HI	8.5	43	360		0.7	