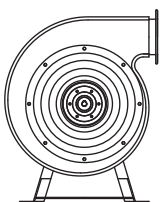


CENTRIFUGAL TURBO BLOWERS

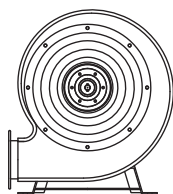
Characteristics

- With the adoption of specially designed fans, mainly used for high wind pressure
- Excellent rate of energy saving achieved with implementation of high-efficiency motors for all the models
- As a flange integrated structure, easy handling and structural strength ensured
- Level of noise and vibration lowered by applying a bearing suitable for high-speed rotation

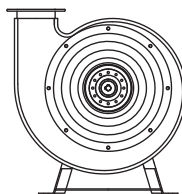
Example



A-Front



B-Substructure



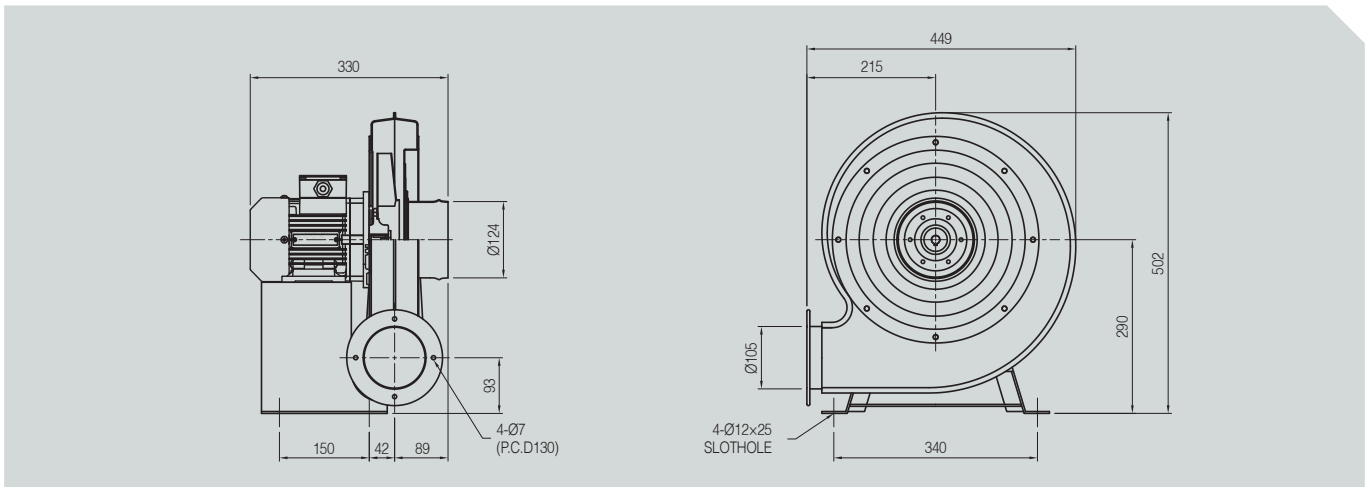
C-Superstructure



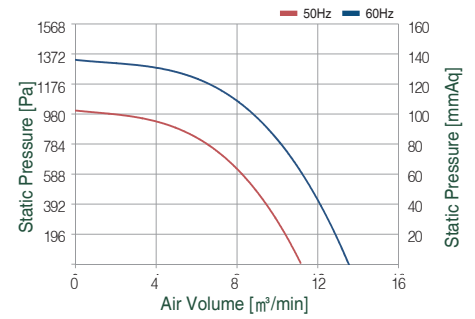
Product data

MODEL	Motor Power		Static Pressure		Air Volume	Page
	kw	HP	Pa	mmAq	m ³ /min	
ATT-024-002	0.2	1/4	13063	1333	13.7	51p
ATT-025-004	0.4	1/2	19972	2038	20.0	
ATT-030-007	0.75	1	25931	2646	29.5	
ATT-034-012	1.5	2	28136	2871	33.0	52p
ATT-036-012	2.2	3	30733	3136	56.2	
ATT-038-015	3.7	5	40817	4165	62.7	53p
ATT-045-017	5.5	7.5	45139	4606	75.0	
ATT-048-020	7.5	10	56664	5782	93.0	

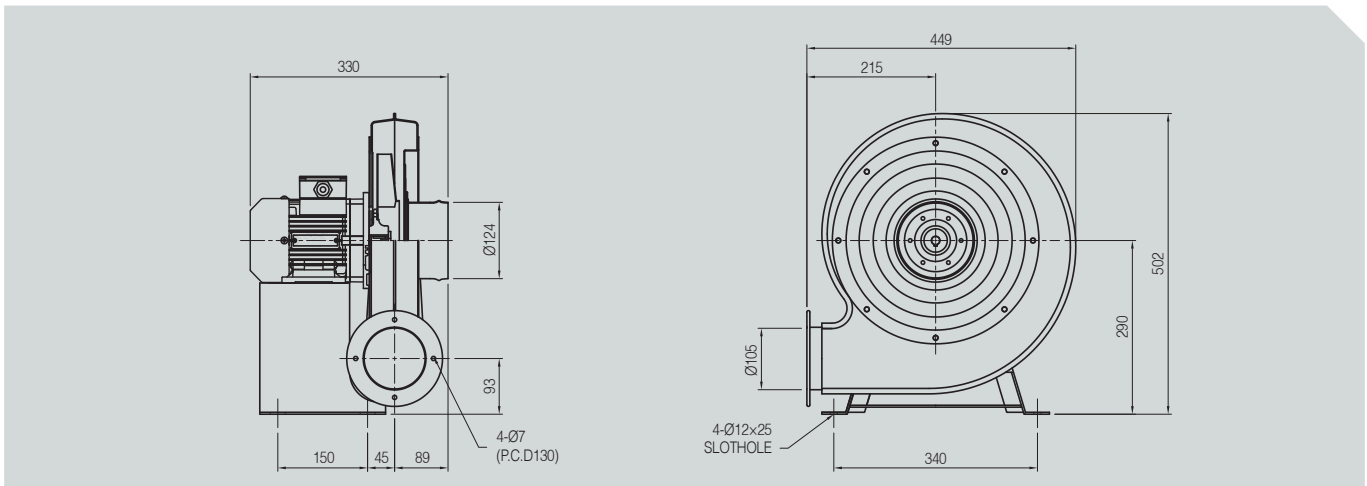
• ATT-024-002 (1/4HP)



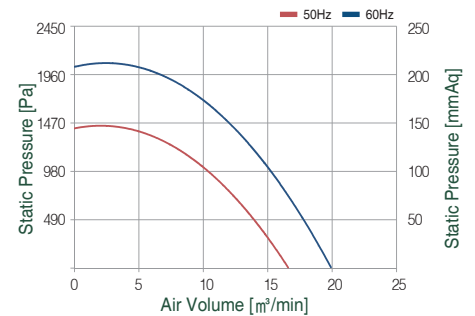
Power source			Static Pressure Pa	Air Volume m ³ /min	Motor power W	Input power W	Current A	Rotative speed RPM
Phase	V	Hz						
φ 3	380	60Hz	1333	13.7	200	360	0.7	3560
	220						1.2	
φ 1	220						1.8	
φ 3	380	50Hz	1078	11.1	200	300	0.6	2990
	220						1.0	
φ 1	220						1.5	



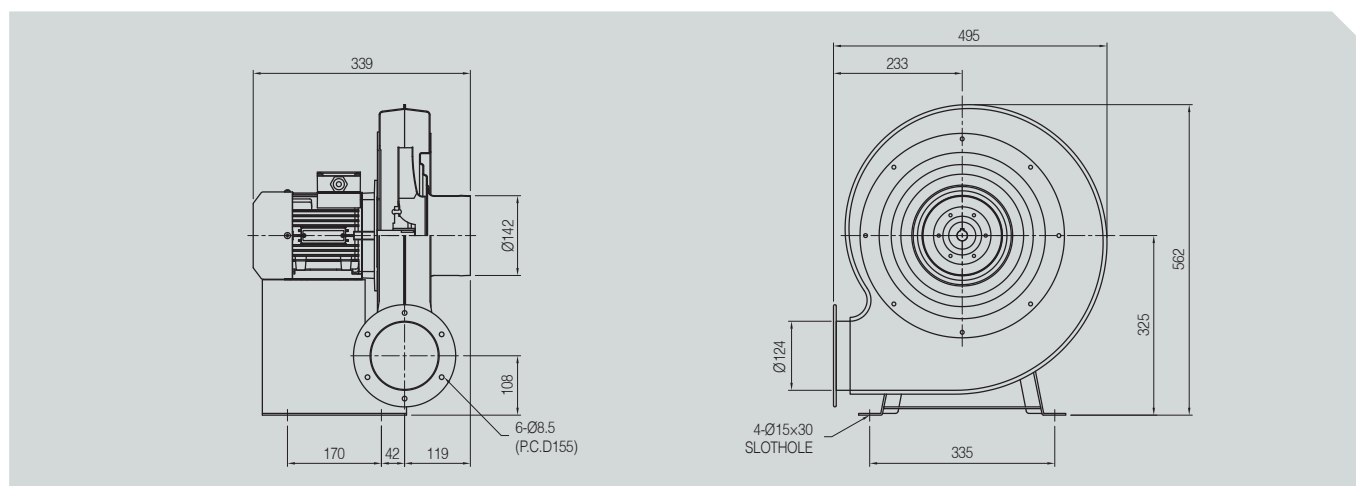
• ATT-025-004 (1/2HP)



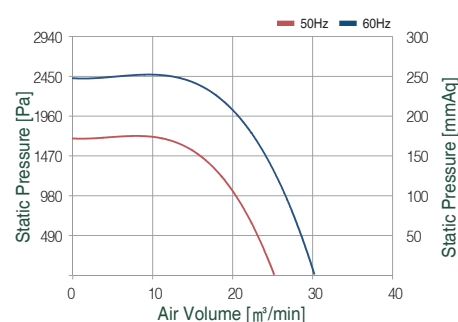
Power source			Static Pressure Pa	Air Volume m ³ /min	Motor power W	Input power W	Current A	Rotative speed RPM
Phase	V	Hz						
φ 3	380	60Hz	2038	20	400	720	1.3	3550
	220						2.2	
φ 1	220						3.4	
φ 3	380	50Hz	1705	16.8	400	600	1.1	2980
	220						1.8	
φ 1	220						2.9	



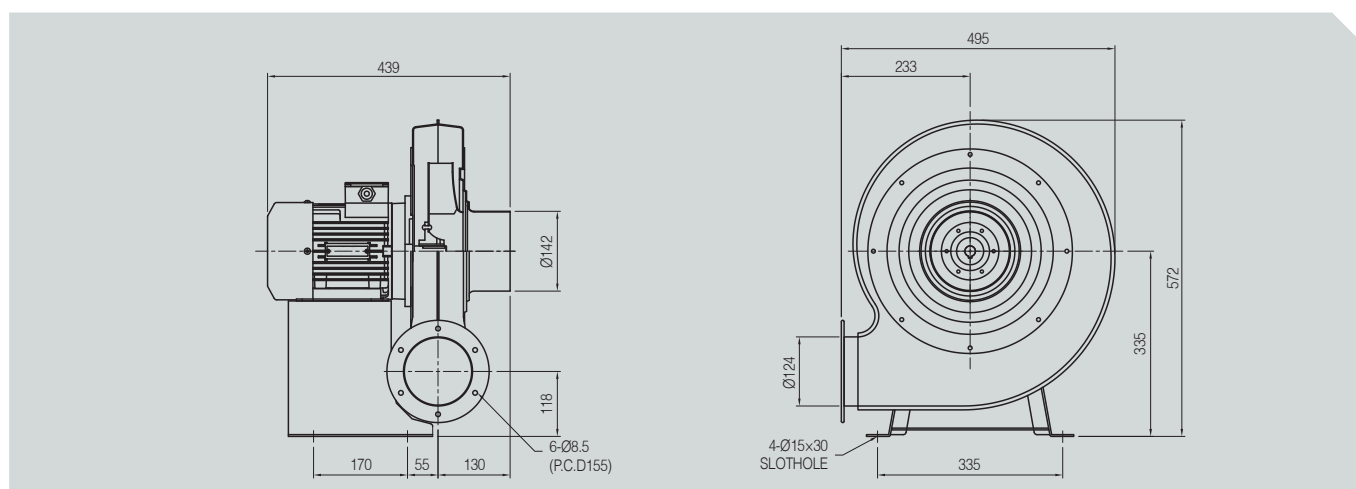
• ATT-030-007 (1HP)



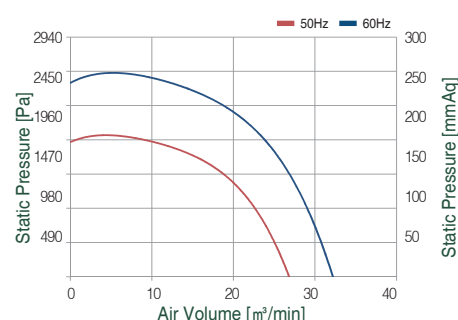
Power source			Static Pressure Pa	Air Volume m³/min	Motor power W	Input power W	Current A	Rotative speed RPM
Phase	V	Hz						
φ 3	380	60Hz	2646	29.5	750	1260	2.2	3560
	220						3.9	
φ 1	220						5.8	
φ 3	380	50Hz	2421	24.7	750	1060	1.8	2990
	220						3.3	
φ 1	220						4.9	



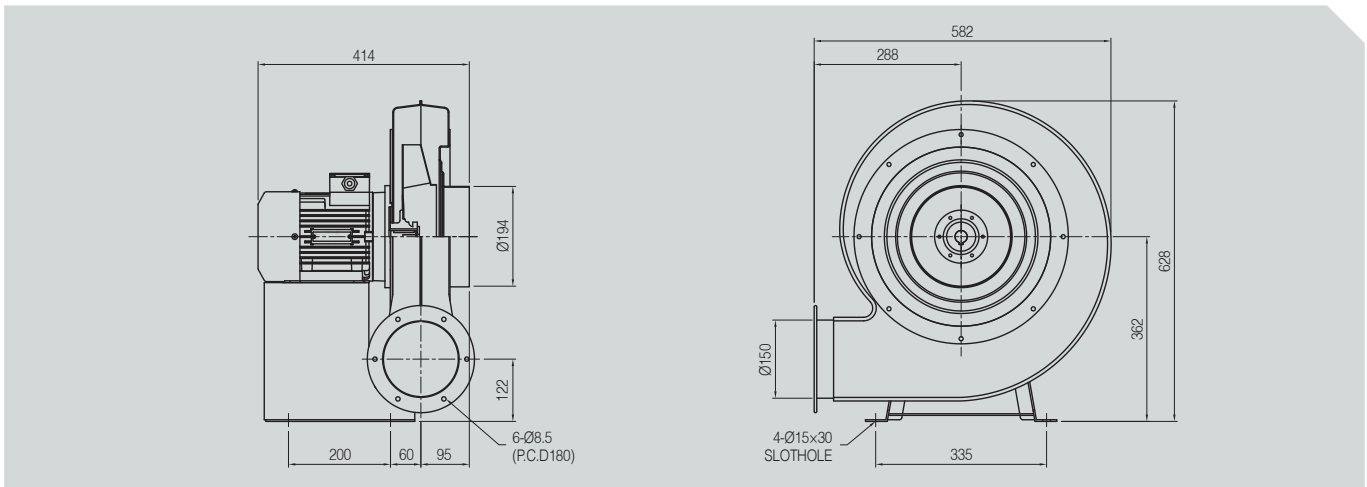
• ATT-034-010 (2HP)



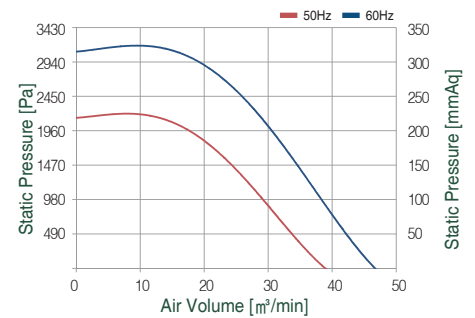
Power source			Static Pressure Pa	Air Volume m³/min	Motor power W	Input power W	Current A	Rotative speed RPM
Phase	V	Hz						
φ 3	440	60Hz	2871	33	1500	1680	2.5	3570
	380						3.0	
	220						5.3	
φ 1	220						7.9	
φ 3	440	50Hz	2009	25.4	1500	1370	2.1	2980
	380						2.5	
	220						4.4	
φ 1	220						6.6	



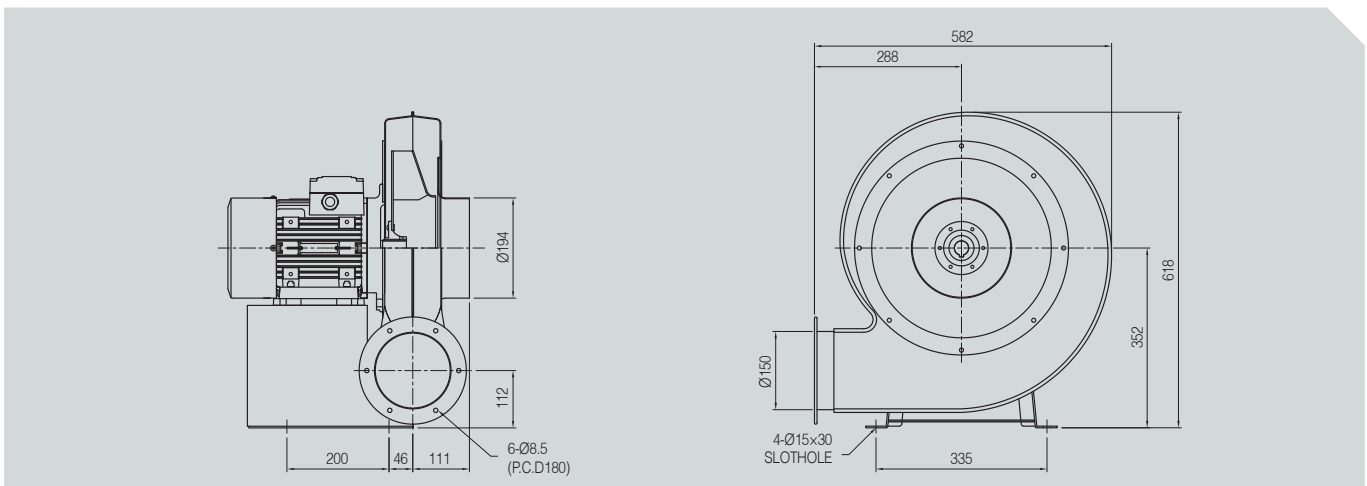
• ATT-036-012 (3HP)



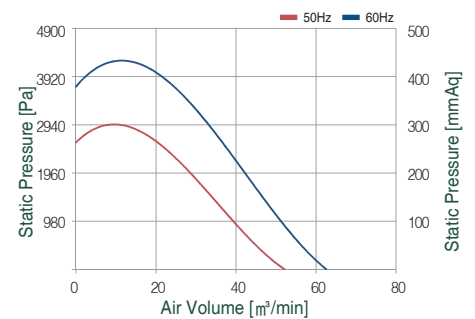
Power source			Static Pressure Pa	Air Volume m ³ /min	Motor power W	Input power W	Current A	Rotative speed RPM
Phase	V	Hz						
φ 3	440	60Hz	3136	56.2	2200	2590	4.0	3570
	380						4.3	
	220						11.6	
φ 1	220						11.9	
	440						3.4	
φ 3	380	50Hz	2636	47	2200	2180	3.6	3000
	220						8.9	
	φ 1						220	



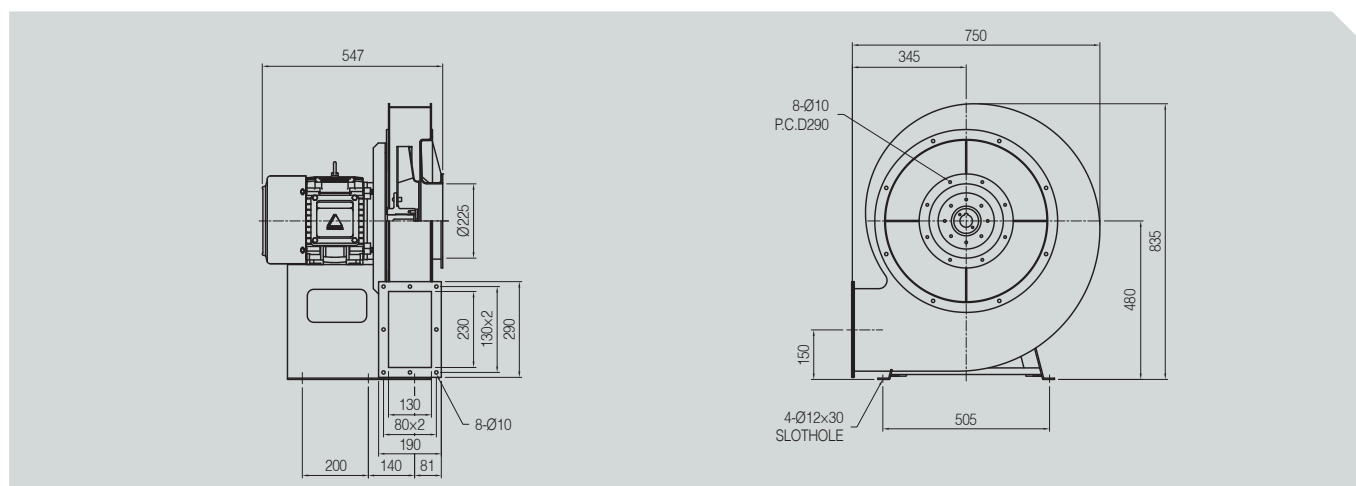
• ATT-038-015 (5HP)



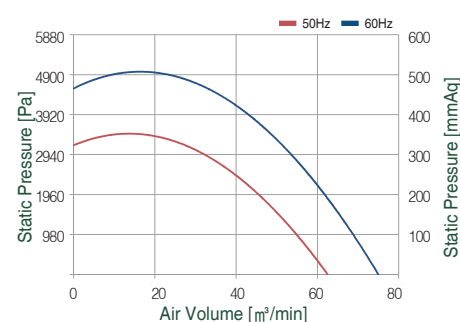
Power source			Static Pressure Pa	Air Volume m ³ /min	Motor power W	Input power W	Current A	Rotative speed RPM
Phase	V	Hz						
φ 3	440	60Hz	4165	62.7	3700	4010	6.3	3580
	380						7.2	
	220						12.6	
φ 3	380						5.2	
	220						6.0	
φ 3	220	50Hz	3126	52.6	3700	3370	6.0	3010
	220						10.5	



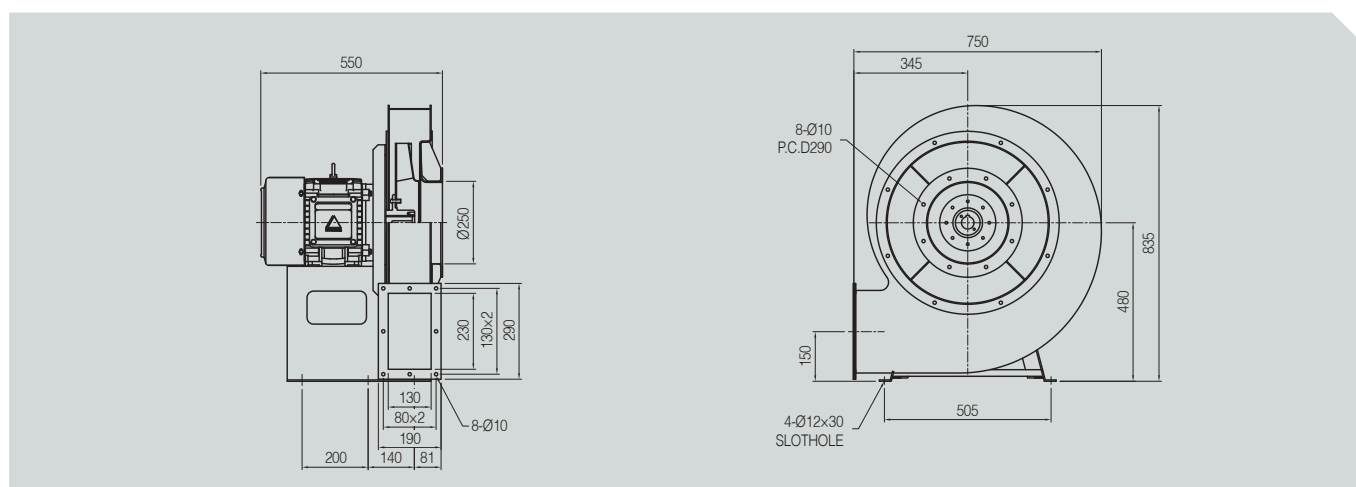
• ATT-045-017 (7.5HP)



Power source			Static Pressure Pa	Air Volume m ³ /min	Motor power W	Input power W	Current A	Rotative speed RPM
Phase	V	Hz						
∅ 3	380	60Hz	4606	75	5500	5900	11.1	3530
∅ 3	380	50Hz	3381	63	5500	4800	8.2	2930



• ATT-048-020 (10HP)



Power source			Static Pressure Pa	Air Volume m ³ /min	Motor power W	Input power W	Current A	Rotative speed RPM
Phase	V	Hz						
∅ 3	380	60Hz	5782	93	7500	8400	14.6	3520
∅ 3	380	50Hz	4214	78	7500	6800	12.0	2930

