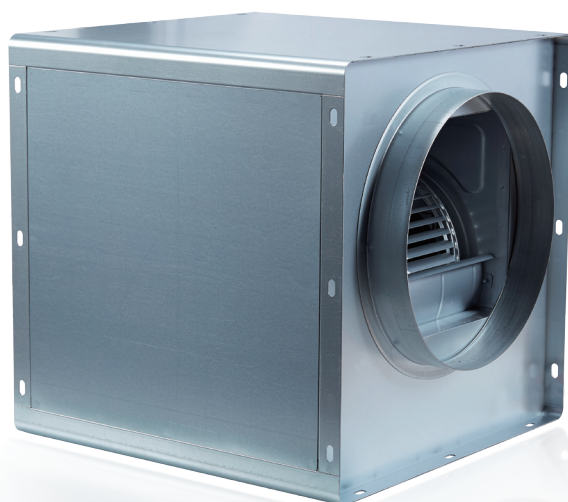


BOX TYPE FANS

Characteristics

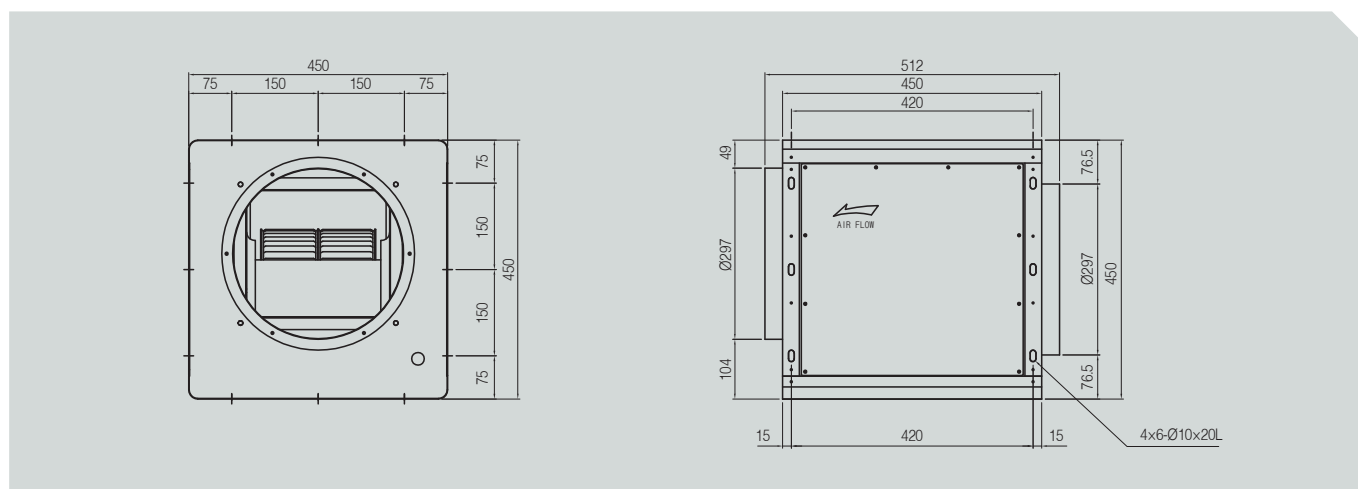
- Designed as an integrated structure with level of noise and vibration minimized
- Easy handling with optimum structural design in which transport and construction considered
- Easy ducting through circular structure of suction and discharge port
- Simple check and repair due to removable cover structure



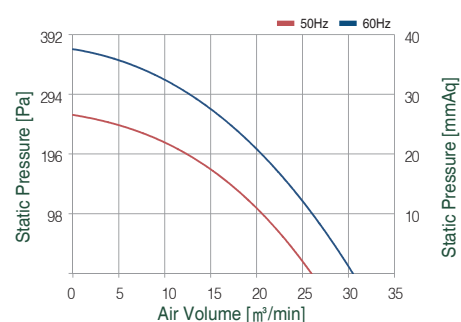
Product data

MODEL	Static Pressure		Air Volume	Page
	Pa	mmAq	m ³ /min	
BB-AS880D4	372	38	30	75p
BB-AS910D6	304	31	30	
BB-AS910D4	637	65	43	76p
BB-AS110D6	392	40	43	
BB-AS122D6	412	42	65	77p
BB-AS133D8	372	38	80	
BB-AS133D6	608	62	105	78p
BB-AS1512D8	490	50	110	
BB-AS1512D6	921	94	150	79p

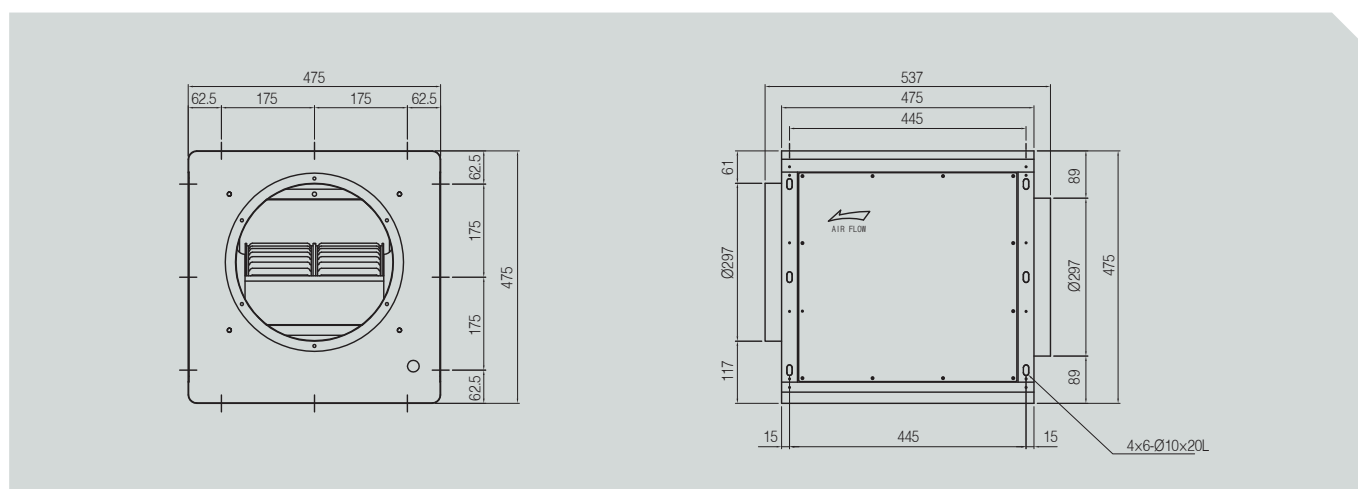
• BB-AS880D4



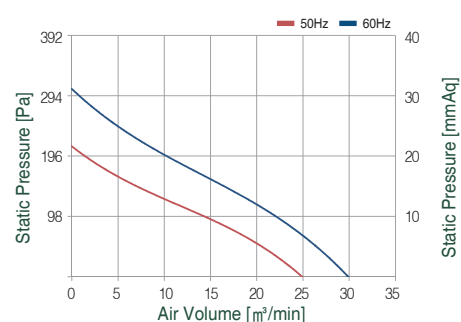
Power source			Static Pressure Pa	Air Volume CMM	Input power W	Current A	Rotative speed RPM
Phase	V	Hz					
φ 3	220	60Hz	372	30	450	1.1	1470
	380					0.9	
φ 1	220	50Hz	255	28	300	1.6	1300
	380					0.6	
φ 1	220				340	1.6	



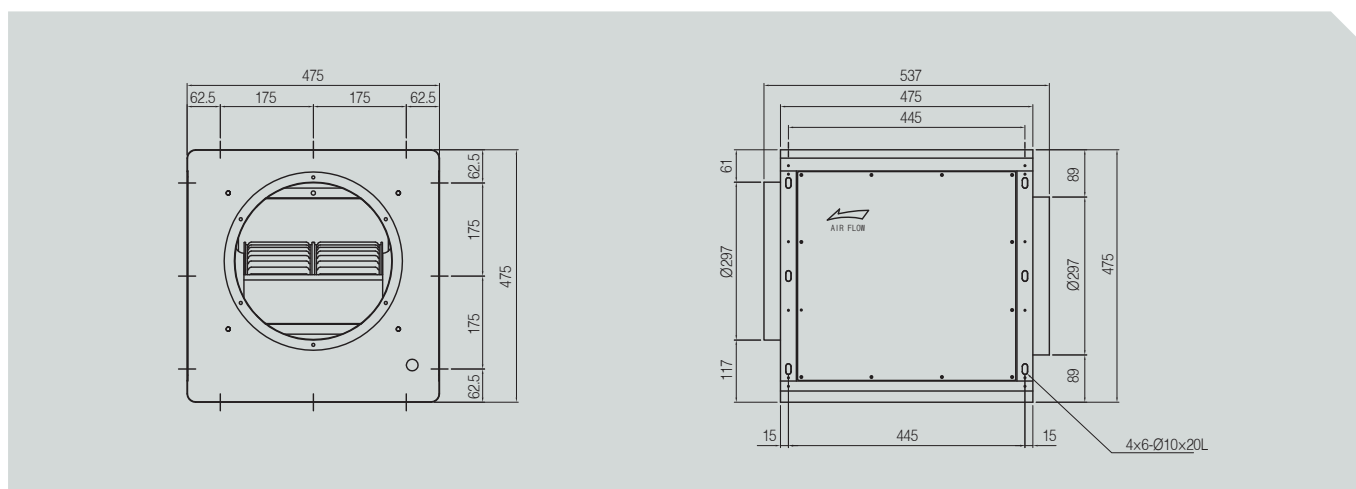
• BB-AS910D6



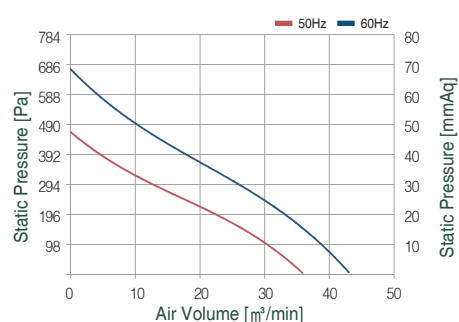
Power source			Static Pressure Pa	Air Volume CMM	Input power W	Current A	Rotative speed RPM
Phase	V	Hz					
φ 3	220	60Hz	304	30	300	1.4	1070
	380					0.8	
φ 1	220	50Hz	196	25	200	1.5	900
	380					0.6	
φ 1	220					1.7	



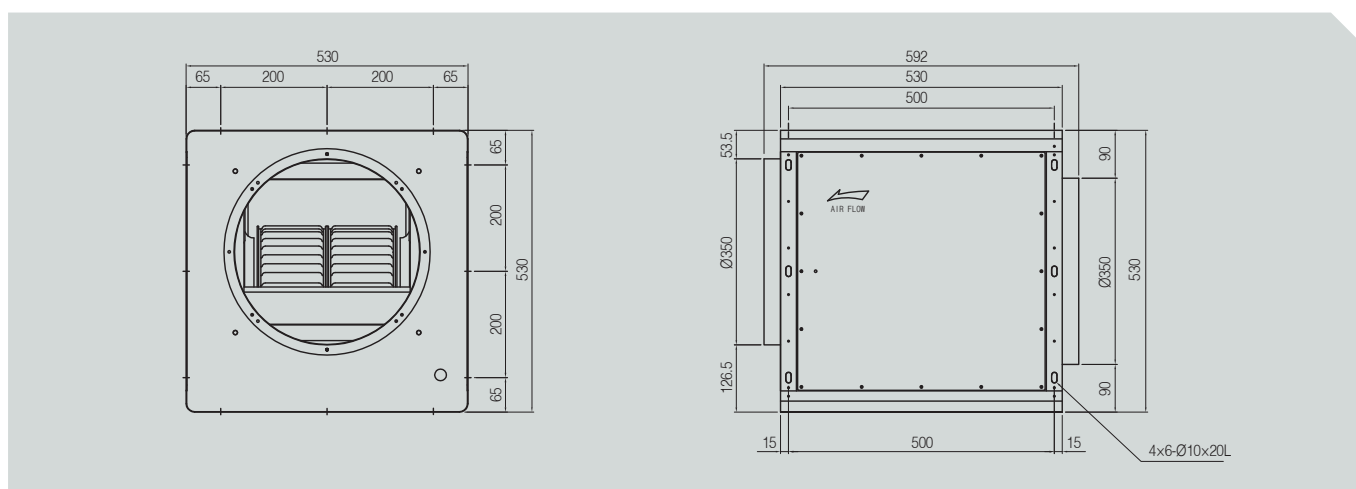
• **BB-AS910D4**



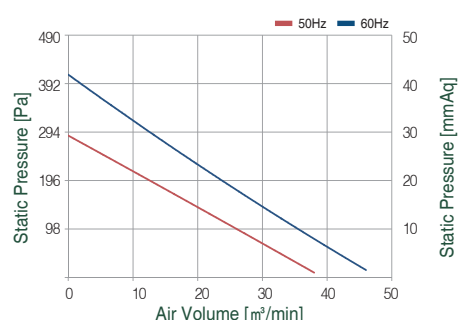
Power source			Static Pressure Pa	Air Volume CMM	Input power W	Current A	Rotative speed RPM
Phase	V	Hz					
φ 3	220	60Hz	65	43	770	2.6	1570
	380						
φ 1	220	50Hz	255	28	500	2.2	1340
	380						
φ 1	220				550	2.8	



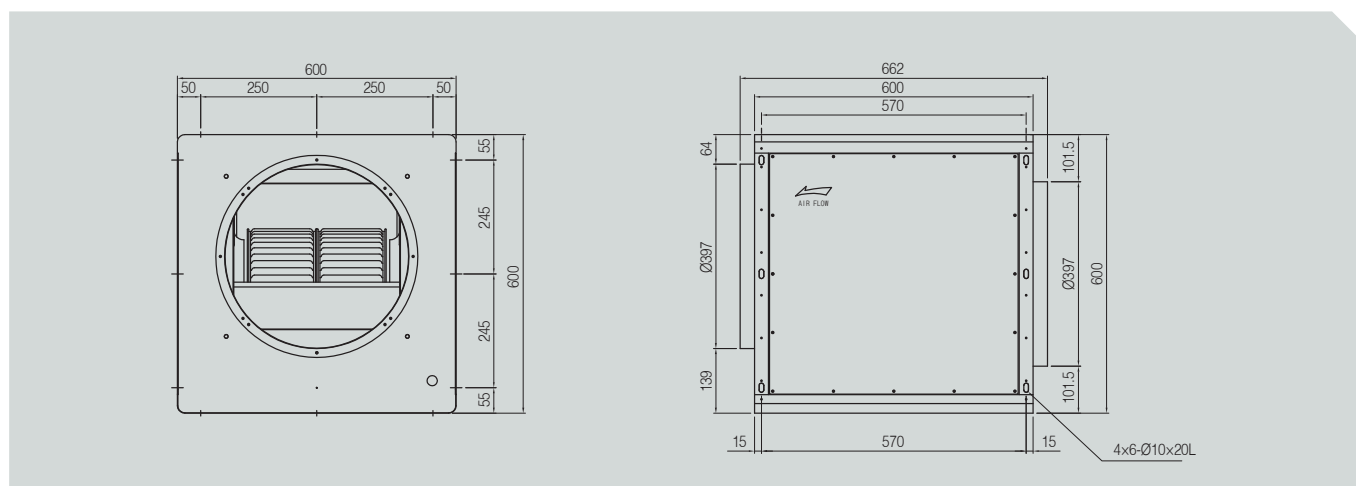
• **BB-AS110D6**



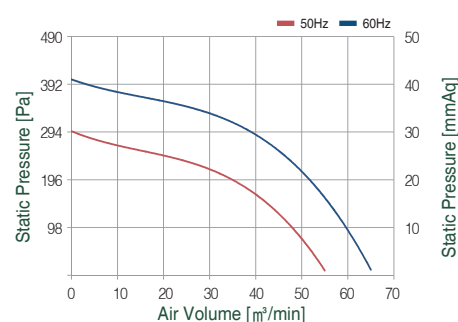
Power source			Static Pressure Pa	Air Volume CMM	Input power W	Current A	Rotative speed RPM
Phase	V	Hz					
φ 3	220	60Hz	392	43	470	1.7	1090
	380						
φ 1	220	50Hz	275	37	280	1.3	940
	380						
φ 1	220				330	2.0	



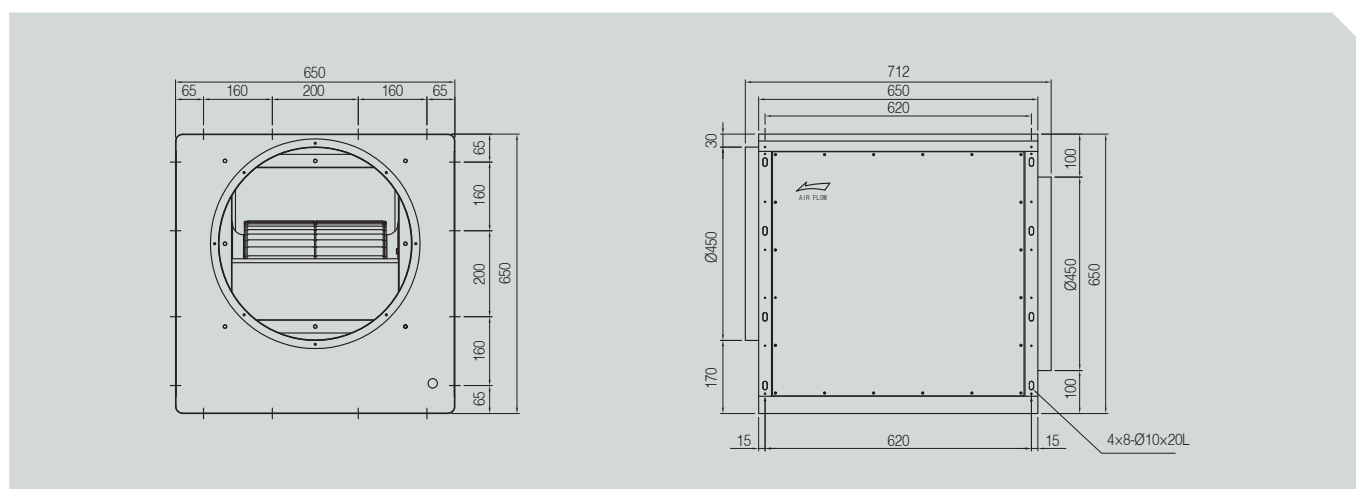
• **BB-AS122D6**



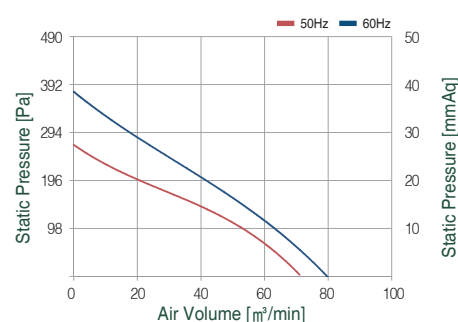
Power source			Static Pressure Pa	Air Volume CMM	Input power W	Current A	Rotative speed RPM
Phase	V	Hz					
φ 3	220	60Hz	412	65	730	2.7	1130
	380						
φ 1	220	50Hz	284	55	440	1.3	960
φ 3	380						
φ 1	220				690	3.8	



• **BB-AS133D8**

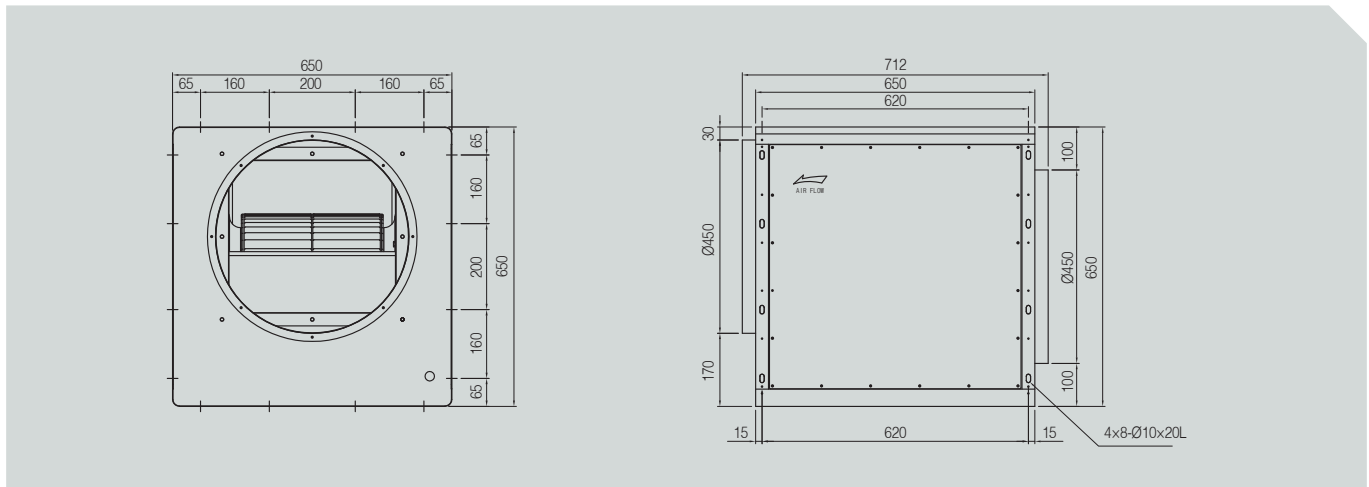


Power source			Static Pressure Pa	Air Volume CMM	Input power W	Current A	Rotative speed RPM
Phase	V	Hz					
φ 3	220	60Hz	372	80	930	2.0	830
	380						
φ 3	220	50Hz	255	70	590	1.5	720
	380						

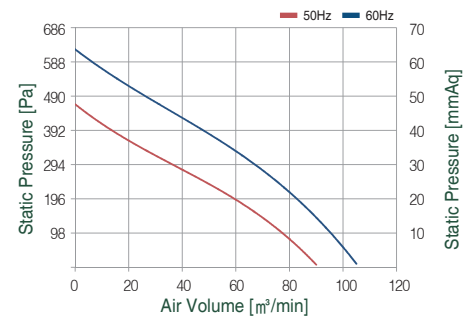


BOX TYPE FANS

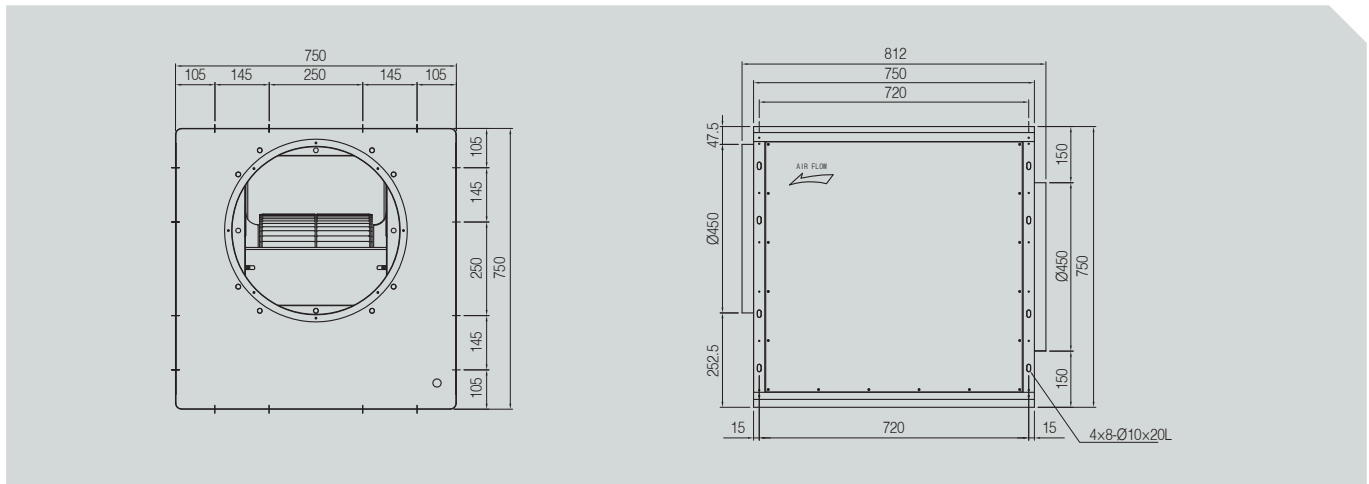
• **BB-AS133D6**



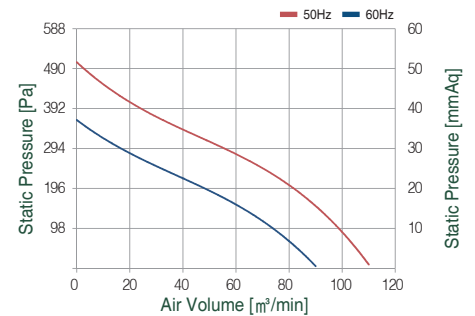
Power source			Static Pressure Pa	Air Volume CMM	Input power W	Current A	Rotative speed RPM
Phase	V	Hz					
∅ 3	220	60Hz	608	105	2000	7.5	1090
	380						
∅ 3	220	50Hz	450	87	1150	4.9	940
	380						



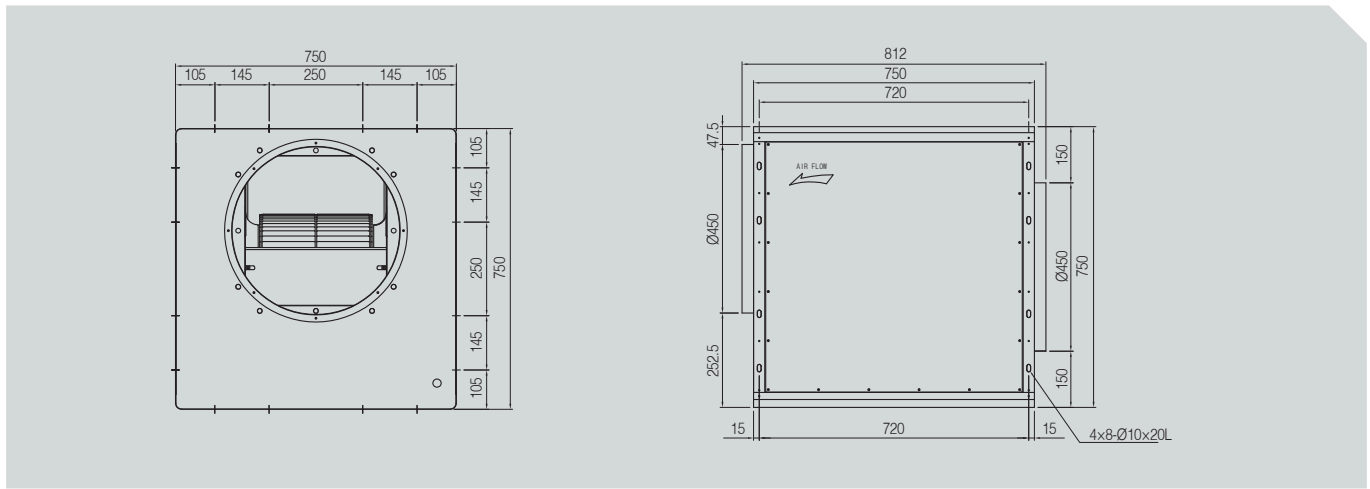
• **BB-AS1512D8**



Power source			Static Pressure Pa	Air Volume CMM	Input power W	Current A	Rotative speed RPM
Phase	V	Hz					
∅ 3	220	60Hz	490	110	1500	5.7	820
	380						
∅ 3	220	50Hz	353	86	920	3.9	700
	380						



• BB-AS1512D6



Power source			Static Pressure Pa	Air Volume CMM	Input power W	Current A	Rotative speed RPM
Phase	V	Hz					
∅ 3	220	60Hz	921	150	3300	12	1090
	380						
∅ 3	220	50Hz	647	120	2000	7.5	930
	380						

