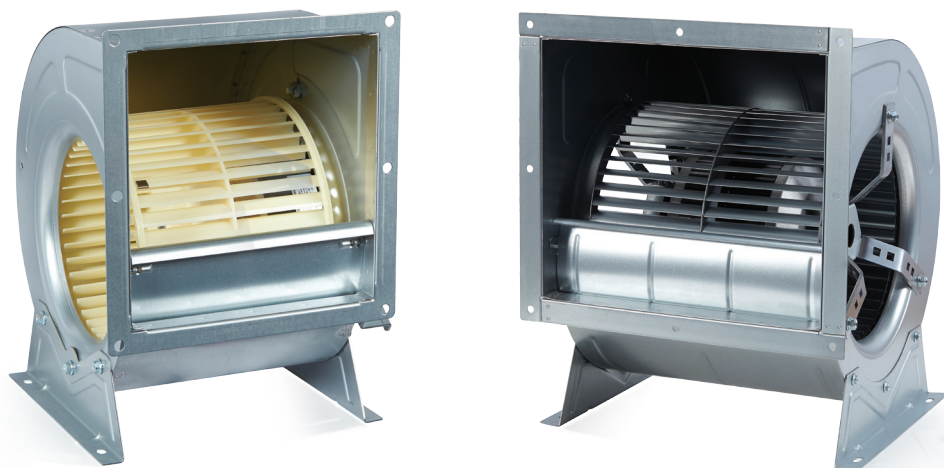


BLDC DOUBLE INLET FANS

Characteristics

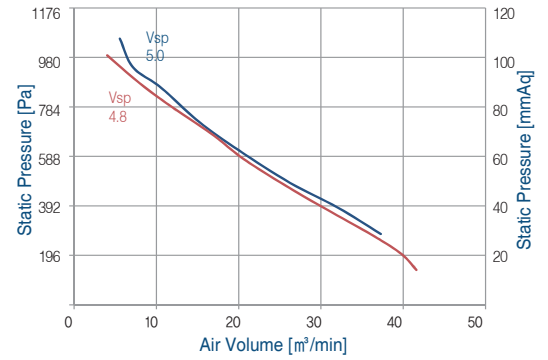
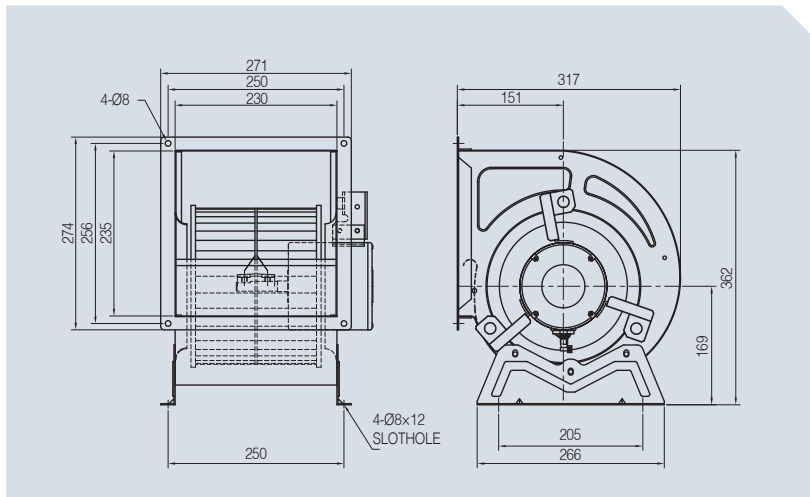
- Power consumption saved up to 38% relative to ECO ultra-low power A/C motor consumption
- With the adoption of display controller, free control from 300 rpm up to the maximum number of rotations possible
- Built-in self-diagnostic function installed to see the product operation status
- Relative to other models with the same specification, 5dB noise level lowered by applying special vibration isolation structure
- Simultaneous control of 64 channels enabled and individual selection control function (RS-485 communication) embedded



Product data

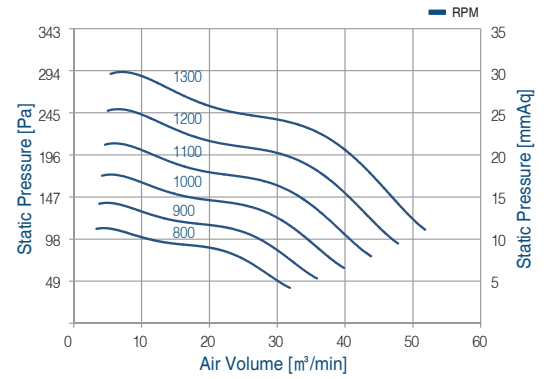
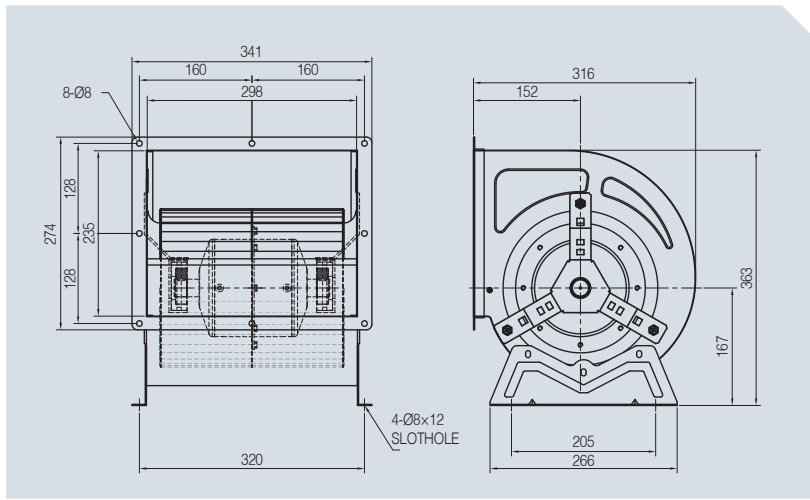
MODEL	Motor Power		Static Pressure		Air Volume	Page
	kw	HP	Pa	mmAq	m ³ /min	
ECA-980BL	0.45	1/2	1117	114	44	17p
ECA-910BL	0.4	1/2	294	30	46	18p
ECA-110BL	0.45	1/2	421	43	54	19p
ECA-111BL	1.1	1.5	421	43	77	20p
ECA-122BL	1.5	2	402	41	97	21p
ECA-133BL	2.5	3.3	588	60	125	22p
ECA-1512BL	3.0	4	902	92	132	23p

• ECA-980BL



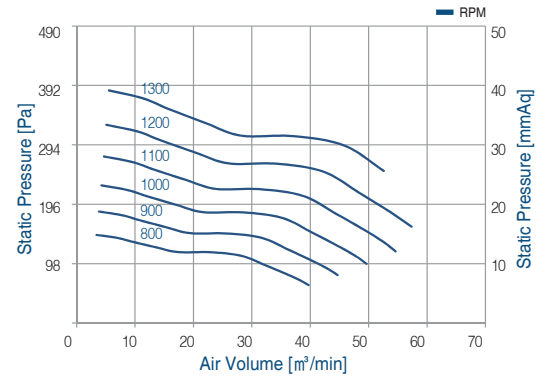
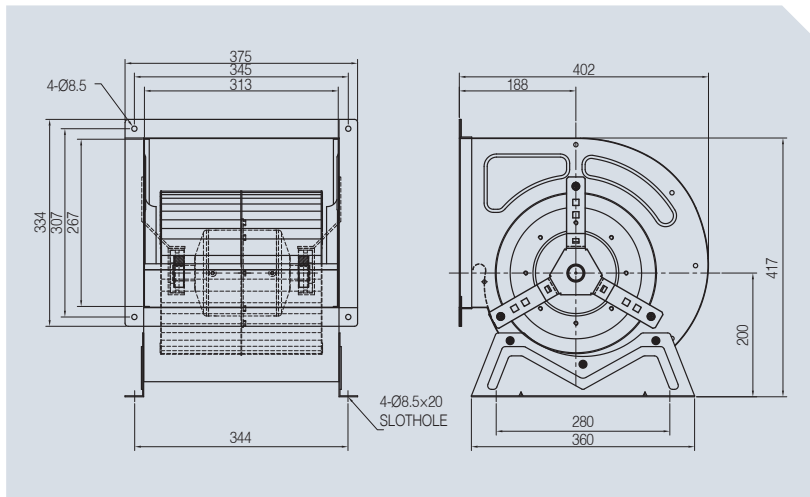
Vsp(VDC)		Static Pressure							
Vsp		196	20	294	30	392	40	490	50
		Pa	mmAq	Pa	mmAq	Pa	mmAq	Pa	mmAq
4.8	Air Volume	39.5		35.5		29.5		24.5	
		1394		1253		1041		865	
	Input Power	490		470		450		440	
5.0	Air Volume			36		31.5		25.5	
				1271		1112		900	
	Input Power			500		490		470	

• ECA-910BL



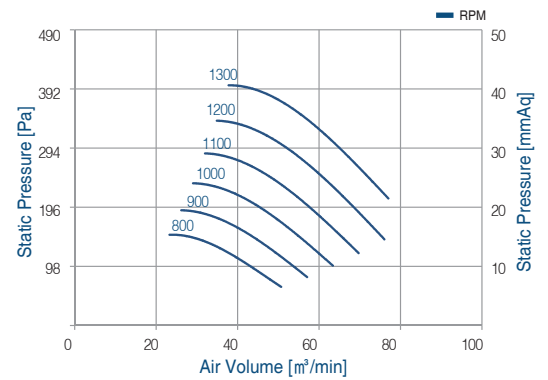
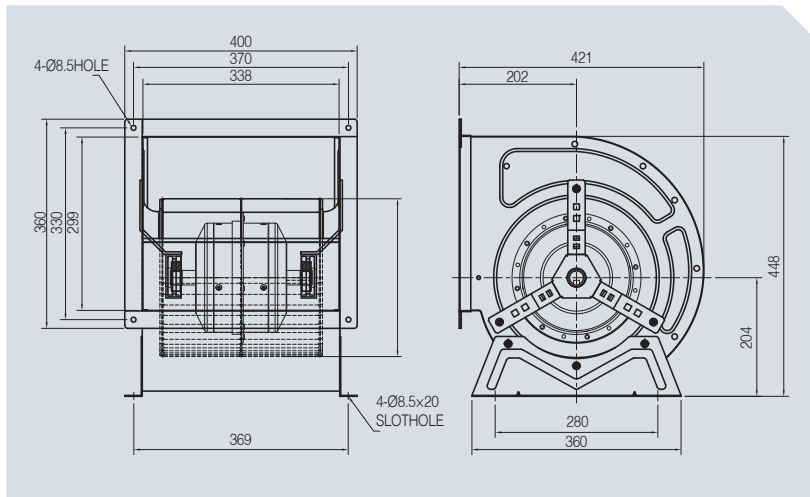
Rotative speed		Static Pressure							
		98	10	147	15	196	20	245	25
RPM		Pa	mmAq	Pa	mmAq	Pa	mmAq	Pa	mmAq
900	Air Volume	27.5							
		971							
	Input Power	150							
1000	Air Volume	34		17					
		1200		600					
	Input Power	240		110					
1100	Air Volume	42		34		12			
		1483		1183		424			
	Input Power	380		270		110			
1200	Air Volume	47		39		32		11	
		1659		1377		1130		371	
	Input Power	510		90		290		130	
1300	Air Volume	48		41		24			
		1677		1447		847			
	Input Power	510		470		250			

• ECA-110BL



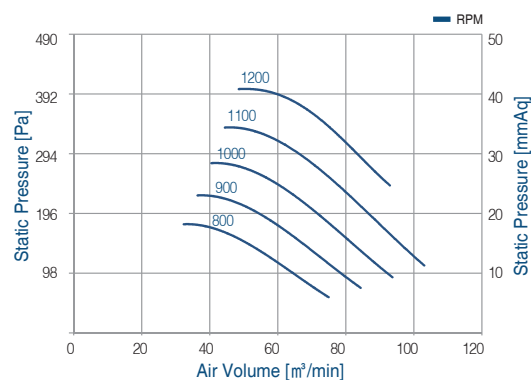
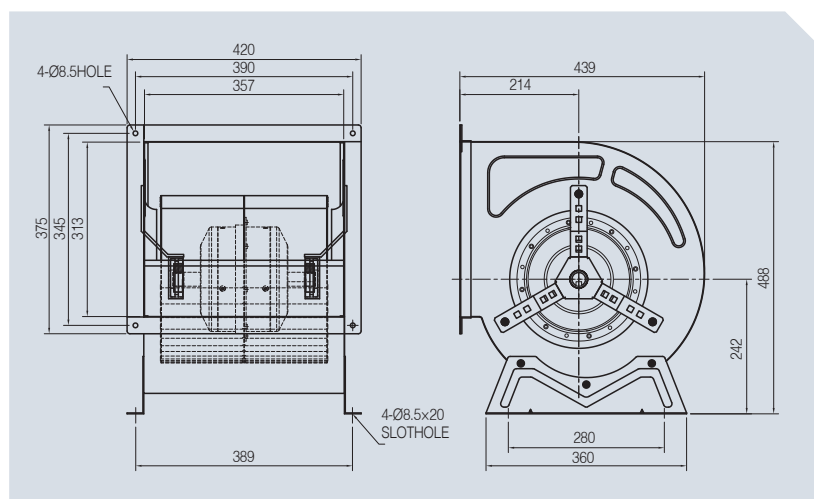
Rotative speed		Static Pressure					
RPM		98	10	196	20	294	30
		Pa	mmAq	Pa	mmAq	Pa	mmAq
800	Air Volume	32					
	m³/min	1130					
	ft³/min	170					
900	Input Power	42					
	Air Volume	1483					
	m³/min	310					
1000	Input Power	49		17			
	Air Volume	1730		582			
	m³/min	450		150			
1100	Input Power	42		1483			
	Air Volume	380		600			
	m³/min	52		240			
1200	Input Power	46		1624			
	Air Volume	600		600			
	m³/min	46		240			
1300	Input Power	46		1624			
	Air Volume	600		600			
	m³/min	46		240			

• ECA-111BL



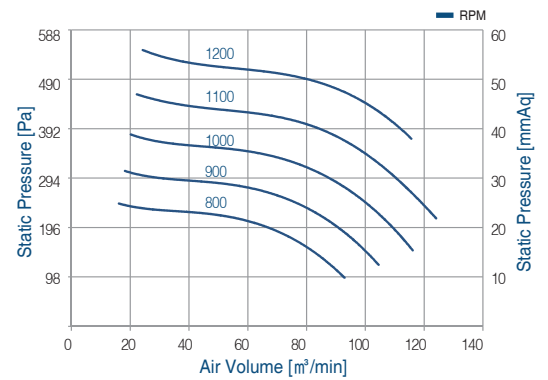
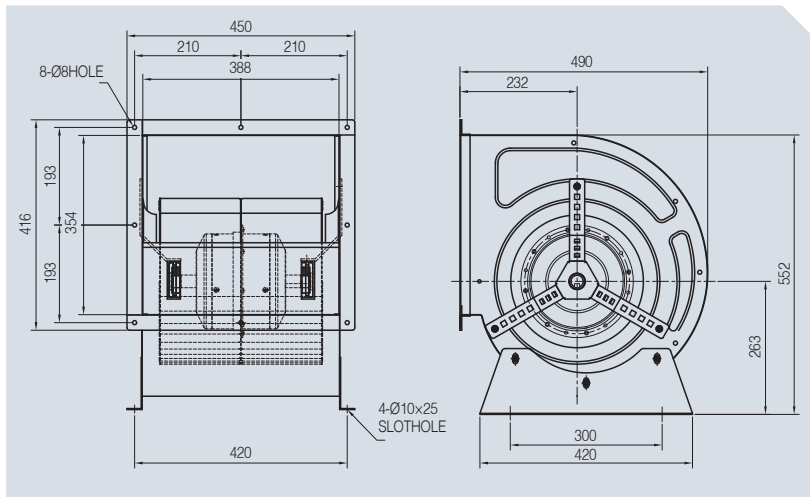
Rotative speed		Static Pressure									
		98	10	196	20	294	30	392	40		
RPM		Pa	mmAq	Pa	mmAq	Pa	mmAq	Pa	mmAq		
800	Air Volume	m³/min		33							
		ft³/min		1165							
	Input Power	W		170							
900	Air Volume	m³/min		52							
		ft³/min		1836							
	Input Power	W		400							
1000	Air Volume	m³/min		63		45					
		ft³/min		2224		1589					
	Input Power	W		590		360					
1100	Air Volume	m³/min				58					
		ft³/min				2047					
	Input Power	W				630					
1200	Air Volume	m³/min				68		52			
		ft³/min				2400		1836			
	Input Power	W				880		600			
1300	Air Volume	m³/min						64		43	
		ft³/min						2259		1518	
	Input Power	W						930		570	

• ECA-122BL



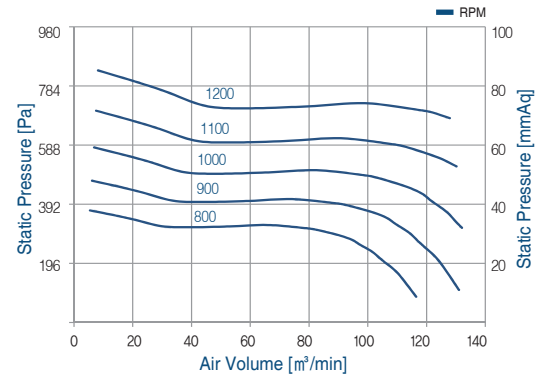
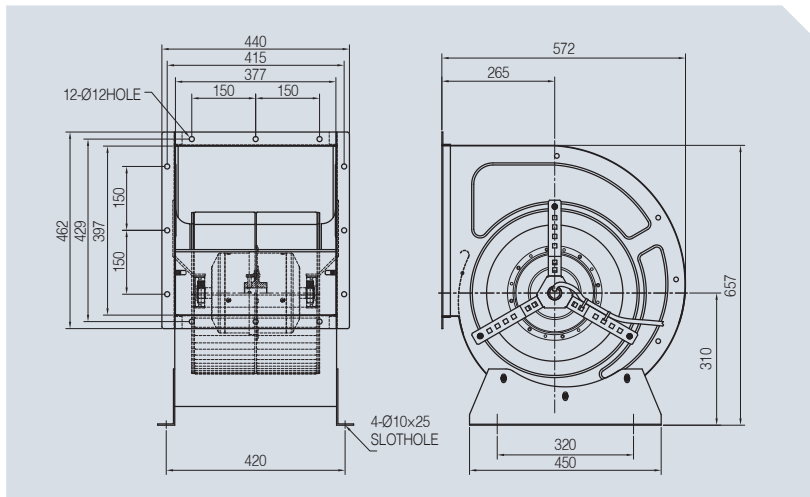
Rotative speed		Static Pressure									
		98	10	196	20	294	30	392	40	490	50
RPM		Pa	mmAq	Pa	mmAq	Pa	mmAq	Pa	mmAq	Pa	mmAq
800	Air Volume	64									
		2259									
	Input Power	470									
900	Air Volume	79		54							
		2789		1906							
	Input Power	780		440							
1000	Air Volume	93		72							
		3283		2542							
	Input Power	1150		770							
1100	Air Volume			87		66					
				3071		2330					
	Input Power			1170		820					
1200	Air Volume					83		58			
						2930		2047			
	Input Power					1250		790			

• ECA-133BL



Rotative speed		Static Pressure											
		98	10	196	20	294	30	392	40	490	50		
RPM		Pa	mmAq	Pa	mmAq	Pa	mmAq	Pa	mmAq	Pa	mmAq		
800	Air Volume	m³/min		93		66							
		ft³/min		3283		2330							
	Input Power	W		1110		560							
900	Air Volume	m³/min				91		32					
		ft³/min				3212		1130					
	Input Power	W				1130		330					
1000	Air Volume	m³/min				109		87					
		ft³/min				3848		3071					
	Input Power	W				1860		1190					
1100	Air Volume	m³/min				126		111		84			
		ft³/min				4448		3918		2965			
	Input Power	W				2730		2060		1300			
1200	Air Volume	m³/min						129		112		835	
		ft³/min						4554		3954		29476	
	Input Power	W						3100		2300		1470	

• ECA-1512BL



Rotative speed		Static Pressure															
RPM		98	10	196	20	294	30	392	40	490	50	588	60	686	70	784	80
		Pa	mmAq	Pa	mmAq	Pa	mmAq	Pa	mmAq	Pa	mmAq	Pa	mmAq	Pa	mmAq	Pa	mmAq
800	Air Volume	m³/min		115		106		88									
		ft³/min		4060		3742		3106									
	Input Power	W		2020		1570		1030									
900	Air Volume	m³/min				125		114		91							
		ft³/min				4413		4024		3212							
	Input Power	W				2550		1990		1250							
1000	Air Volume	m³/min						123		96							
		ft³/min						4342		3389							
	Input Power	W						2490		1610							
1100	Air Volume	m³/min										119		13			
		ft³/min										4201		459			
	Input Power	W										2550		690			
1200	Air Volume	m³/min												124		25	
		ft³/min												4377		883	
	Input Power	W												3000		950	