

AIRFOIL FANS

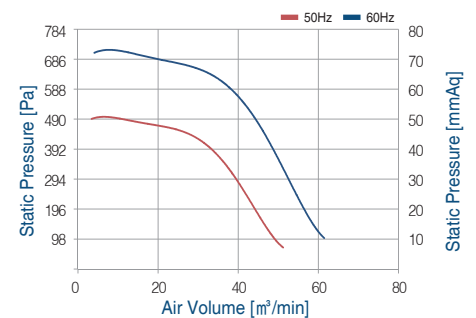
Characteristics

- High efficiency and low level of noise achieved by designing the blade (section of the wing) as airfoil structure
- With implementation of high-efficiency motor, resistance in vibration and durability enhanced
- Widely applied in the commercial and industrial sector
- Easy installation and handling
- Direction of discharge adjustable in accordance to customer's request
- As a design of direct drive, less space needed for installation
- Light weight and durability ensured by designing the structure with the aluminium made blades

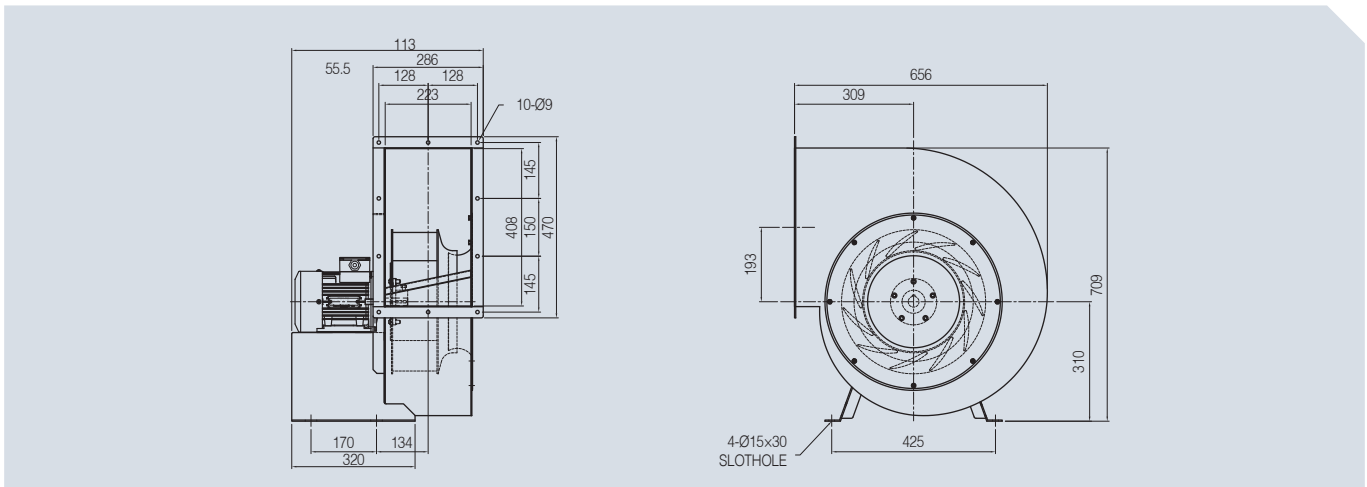


Product data

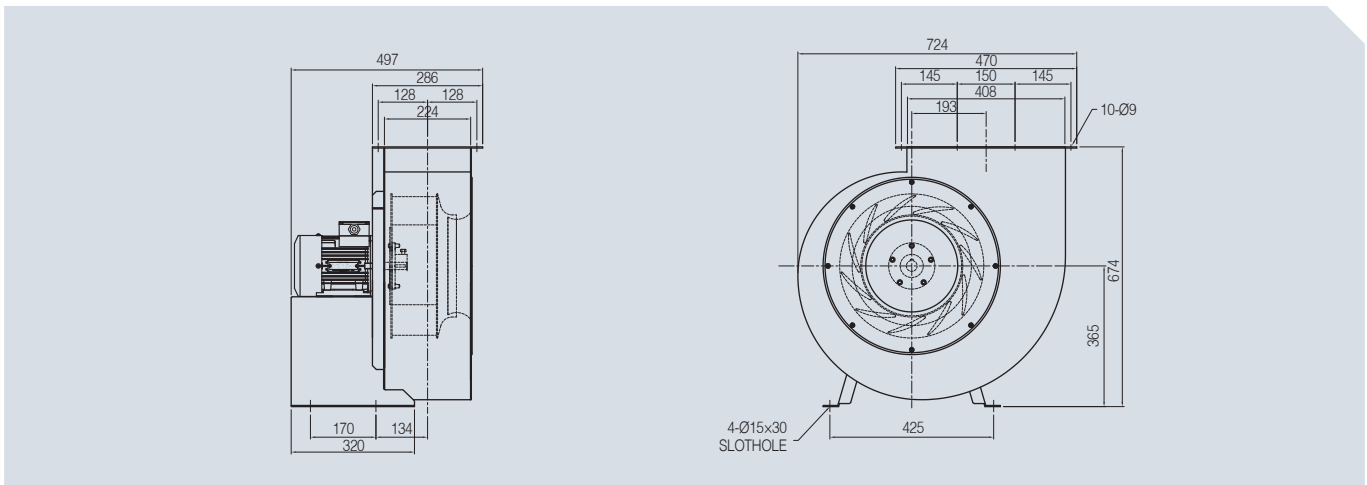
Power source			Static Pressure Pa	Air Volume m ³ /min	Motor power W	Input power W	Current A	Rotative speed RPM
Phase	V	Hz						
φ 3	220	60Hz	715	61.5	0.75	630	2.6	1750
	380						1.5	
φ 3	220	50Hz	497	51	0.75	365	1.5	1450
	380						0.9	



• ABA-037SD ("A" TYPE)



• ABA-037SD ("B" TYPE)



• ABA-037SD ("C" TYPE)

