

Guitar Wire



Special wire with physical properties for various Guitar strings.

+ **Application** Strings for Acoustic guitar, Electric and Bass guitar.

다양한 Guitar String에 사용되는 물리적 특성을 갖춘 와이어.

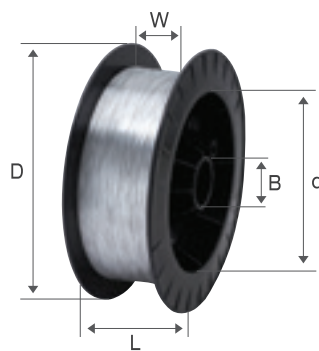
+ **용도** 어쿠스틱, 일렉트릭, 베이스 기타 스트링용.

Wire Specification

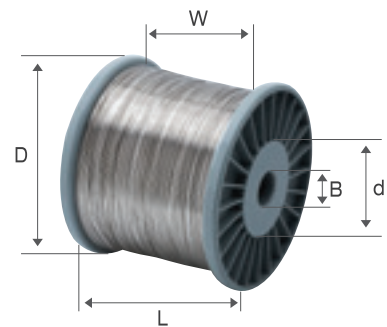
Item Type	Applied Part	Plating Material	Base Material	Shape	Diameter		Tensile Strength (kgf/mm ²)
					mm	inch	
Acoustic	Single	Sn	Fe	Round	0.2 - 0.6	0.0078~0.0236	240~301
	Core	Sn	Fe	Hexagon	0.25~0.5	0.0098~0.0196	
	Wrap	-	Bronze	Round	0.12 - 0.6	0.0047~0.0236	
Elec/Bass	Single	Sn	Fe	Round	0.2 - 0.4	0.0078~0.0236	240~301
	Core	Sn	Fe	Hexagon	0.25 - 0.5	0.0098~0.0196	
	Wrap	Ni	CP	Round	0.12 - 0.6	0.0047~0.0236	

* Any specification except the above is negotiable.

Packing



Single / Core Wire



Wrap Wire

Item Application	Bobbin Type	Dimension (mm)					Packing Weight (kg)
		D	d	B	W	L	
Single / Core	SD-300	300	210	52	90	102	30
Wrap	P-3	130	60	21	90	110	3
	P-4	160	90	21	90	114	4

* Any packing requirement except the above is negotiable.

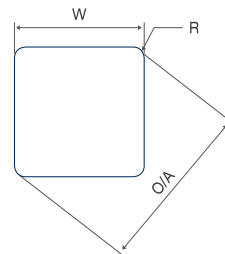
Tinned Brass Square Wire

With excellent ductility and cold-forging property for the application of connector pins defined by JIS H3260

JIS H3260에 따른 커넥터 핀용으로 전연성, 냉간 단조성이 우수한 주석도금 황동선

Wire Specification

Item	Composition(%)			
	Cu	Pb	Fe	Zn
C2600W	68.5~71.5	Max. 0.05	Max. 0.05	31.4~28.4
C2700W	63.0~67.0	Max. 0.05	Max. 0.05	36.9~32.9



Plating Thickness(μm)		Base Material	Dimension (mm)				Tensile Strength(kgf/mm ²)			
Underlayer	Outlayer		Gauge	Width (W)	Opposite Angle (O/A)	Edge Radius(R)	1/4H	1/2H	3/4H	H
Ni	Sn	Brass wire	0.5 □*	0.50±0.007	0.67±0.03	0.0418	40~52	50~62	60~72	70~82
0.7~1.6	1.5~2.6		0.6 □	0.60±0.007	0.80±0.03	0.0556				
			0.64 □	0.64±0.007	0.85±0.03	0.0635				
			1.14 □	1.14+0.002/-0.017	1.46±0.03	0.1807				

※ □ is Square.

※ Any specification except the above is negotiable.

※ Any packing requirement is negotiable.

Aluminum Rod for Making High Purity Alumina

+ **Application** LED Substrate, Secondary battery membrane.

+ **용도** LED 기판용, 2차 전지 분리막용.

Chemical Composition

Purity (%)	Si	Fe	Cu	Mn	Cr	Zn	Ti	V	Al
	Na	Ni	Ca	Ga	Cr	Zr	K		
99.995	0.00028	0.0004	0.00047	0.00003	0.00029	0.00017	0.00006	0.00006	99.995 over
	0.00004	0.00003	0.00001	0.00003	0.00002	0.00003	0.00005		

※ Any specification except the above is negotiable.

※ Any packing requirement is negotiable.