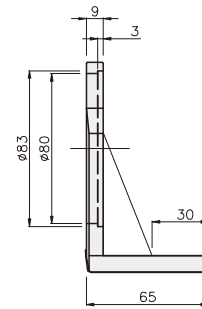
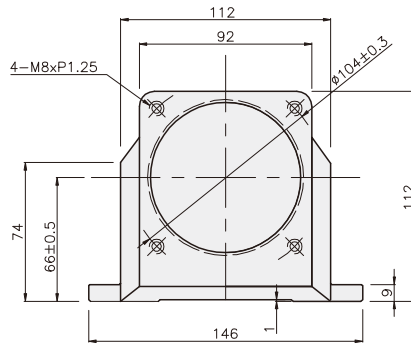
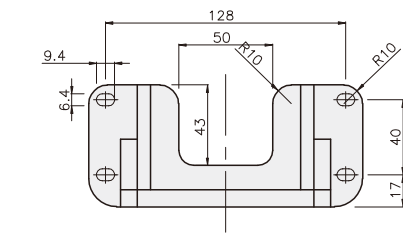


OPTION

MOUNTING BRACKET FOR MOTOR GEARHEAD

DIMENSIONS

K9B-M8(□90mm)



applied product
GEARHEAD : K9P□BU
characteristics
Weight 270g, Materials AL