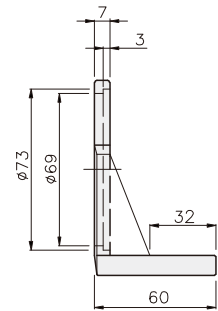
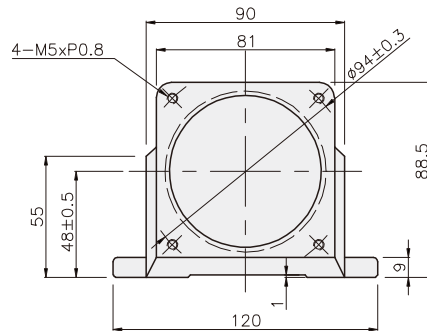
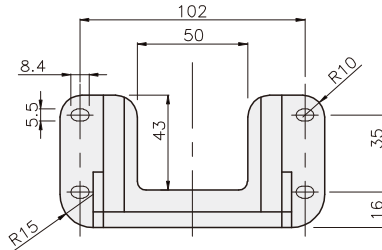


OPTION

MOUNTING BRACKET FOR MOTOR GEARHEAD

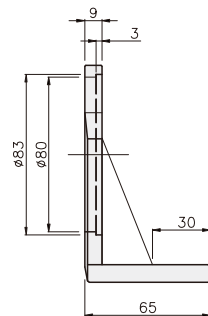
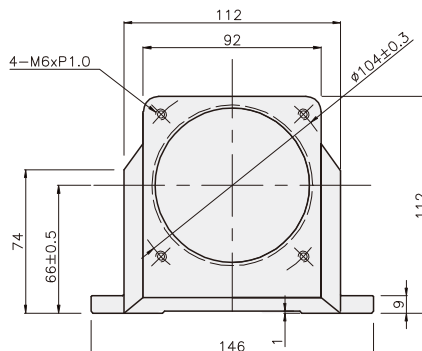
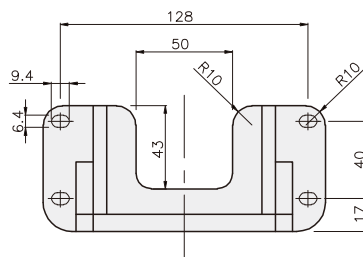
DIMENSIONS

K8B(□80mm)



applied product
MOTOR : K8□S25N□ GEARHEAD : K8G□B(C)
characteristics
Weight 120g, Materials AL

K9B-M6(□90mm)



applied product
MOTOR : K9□S□F□ GEARHEAD : K9G□B, K9P□B
characteristics
Weight 270g, Materials AL