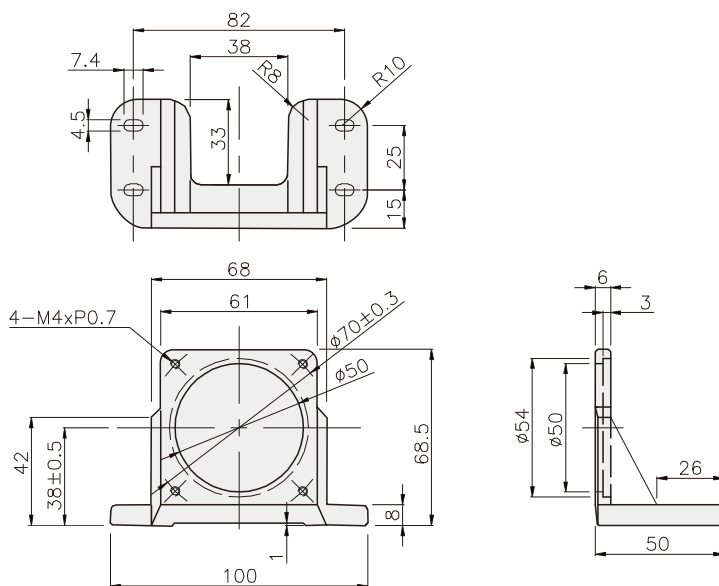


OPTION

MOUNTING BRACKET FOR MOTOR GEARHEAD

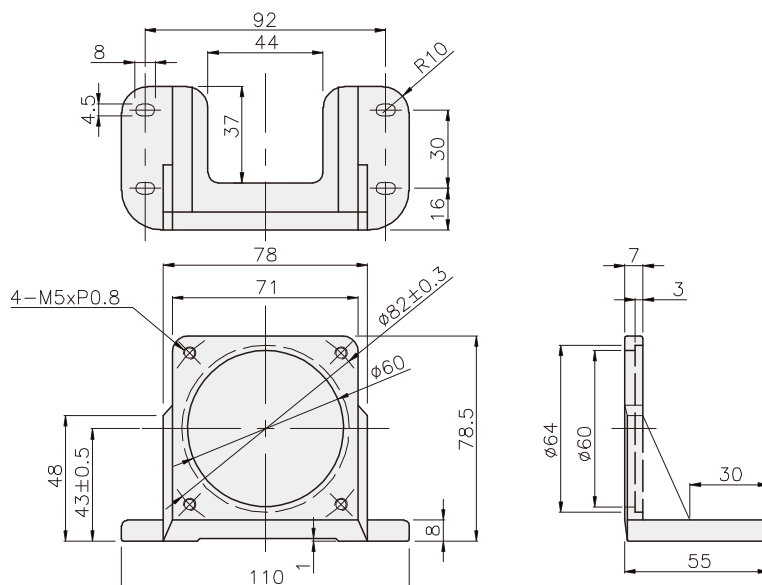
DIMENSIONS

K6B(□60mm)



applied product
MOTOR : K6□S6N□ GEARHEAD : K6G□B(C)
characteristics
Weight 45g, Materials AL

K7B(□70mm)



applied product
MOTOR : K7□S15N□ GEARHEAD : K7G□B(C)
characteristics
Weight 75g, Materials AL