

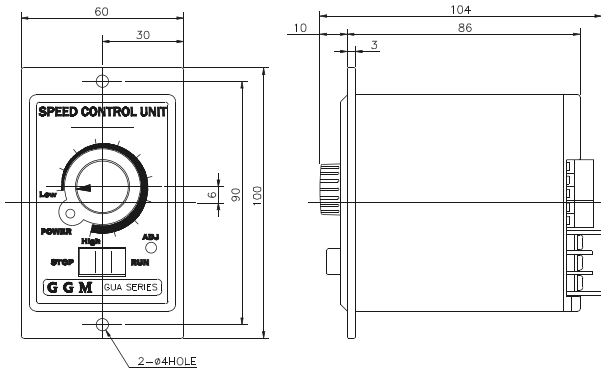
SPEED CONTROL UNIT

● GUA

Diagram and general contents



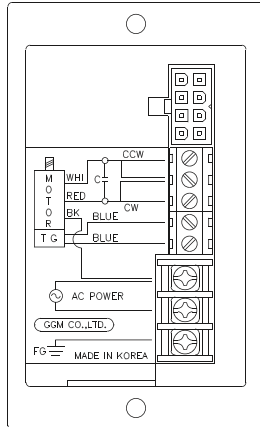
Appearance of Products



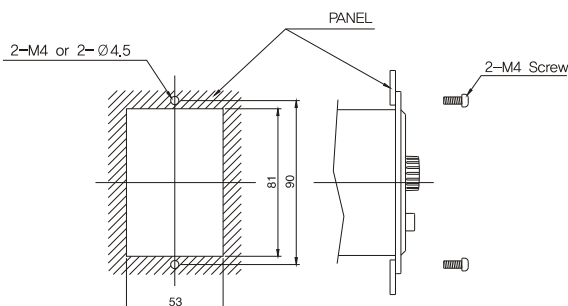
Specification

Model	GUA-U	GUA-J	GUA-C	GUA-L
Characteristics				
Rated voltage and power Frequency	Single Phase AC110V 60Hz Single Phase AC115V 60Hz	Single Phase AC110V 50/60Hz	Single Phase AC220V 50/60Hz Single Phase AC230V 50/60Hz Single Phase AC240V 50Hz	Single Phase AC200V 50/60Hz
Operating Voltage Range	± 10% (compared to the lightning voltage)			
Application MOTOR output	INDUCTION : 6~180W REVERSIBLE : 6~ 90W			
Speed control range	60Hz : 90~1700rpm, 50Hz : 90~1400rpm			
Speed regulation	5% (standard)			
Speed setter	Setting by VOLUME			
Operating temperature range	-10~40°C			
Storage temperature range	-20~60°C			
Operating humidity range	Below 85% (where is no condensation)			

Wiring Diagram



Panel Processing

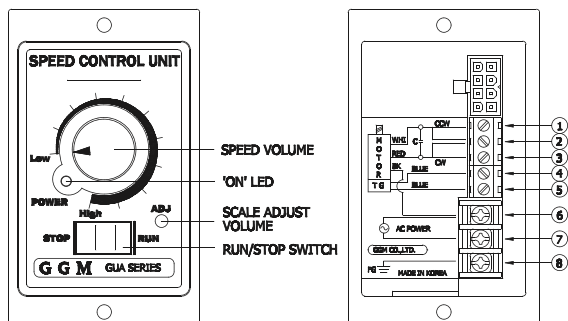


Product Features

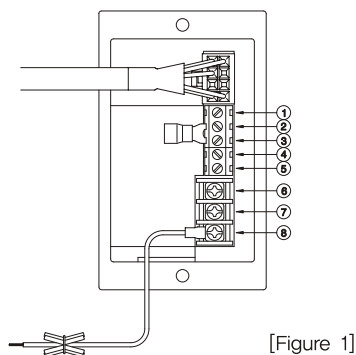
- It is an UNIT product of detachable CONTROL MOTOR and CONTROL MOTOR. CONNECTOR is connected with the ONE TOUCH. It is most suitable in usage that remote control need. (There is not Moment stop function.)
- There are assembled all needed devices of Speed control circuit, MOTOR CONDENSER, speed setter etc. in CONTROL UNIT. (There is also an external mounting type CONDENSER.) Connect together MOTOR and CONTROL UNIT by exclusive use CONNECTOR and can control the speed of MOTOR simply by connection AC terminals to POWER SOURCE.
- If use an extension cord for the CONNECTOR OPTION, can be controlled speed by apart MOTOR and MOTOR CONTROL UNIT part maximum up to 2,0m.
- Variable speed range is widely available by 50Hz: 90~1400rpm, 60Hz: 90~1700rpm speed widely available.

SPEED CONTROL UNIT

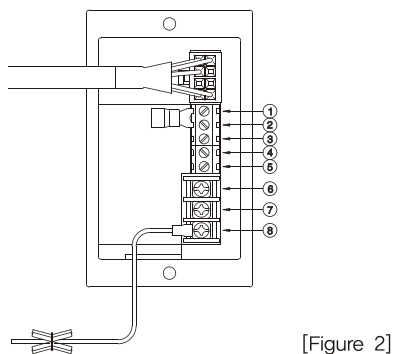
How to Use



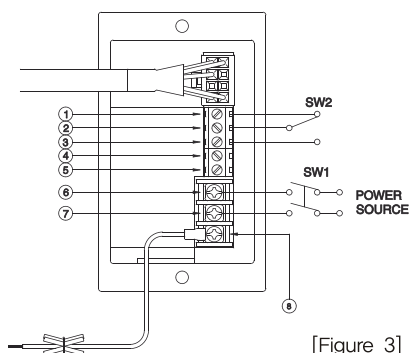
▶ When driving forward



▶ When driving backward



▶ When driving two-way



SWITCH Specification

SWITCH Number	SWITCH contact capacity
SW1	AC125V or AC250V More than 5A
SW2	AC125V or AC250V More than 5A

■ Operation

Connects LEAD line CONNECTOR of CONTROLLER UNIT and MOTOR, and connect AC terminal to AC power.

If set RUN/STOP SWITCH of CONTROL UNIT by RUN side, MOTOR rotates clockwise direction when view at output side, (It is SET to rotate clockwise when shipping.)

■ Transmission

If turn handle of SPEED VOLUME of CONTROLLER UNIT to clockwise number of MOTOR rotation becomes rapid and the speed is delayed if turn in contrary. It is possible to control and set the MOTOR SPEED.

■ Stop

This is not ON/OFF SWITCH that please equip separate power SWITCH in case of stop MOTOR long hours.

■ Switching the direction of rotation

1. Case of continuous operation

In case of set inverse the rotational direction of motor in transmission device such as GEAR HEAD, please exchange position of terminals to be connected terminal position of ② COM and ③ CW attached to CONTROL UNIT backside to position of ② COM and ① CCW.

Please connect always power cord terminal to ⑥ AC, ⑦ AC. This time, please exchange and access after turning OFF the power.

2. In case of control Normal/Reverse rotation

As like [Figure3] in left, please exchange the direction of rotation by install SWITCH(SW1) for power and Normal/Reverse exchange SWITCH(SW2). It is impossible moment Normal/Reverse rotation, Exchange SWITCH(SW2) after stop motor completely after turn off power SWITCH(SW1) firstly.

■ SPEED OUT

④, ⑤ is terminal which is used connecting revolution-indicator by SPEED OUT.

* Can see number of rotation by connecting DIGITAL indication type revolution-indicator.