

## BRUSHLESS DC MOTOR UNIT - B Series

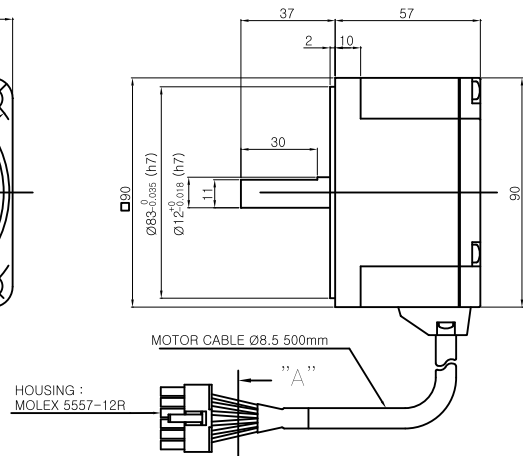
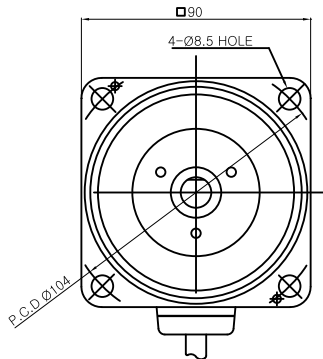
### 200W

□90mm

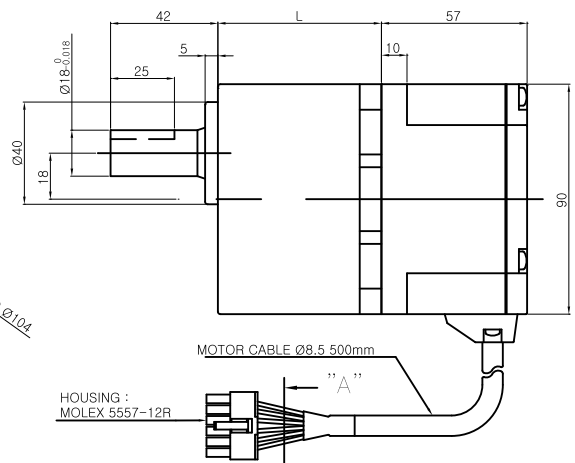
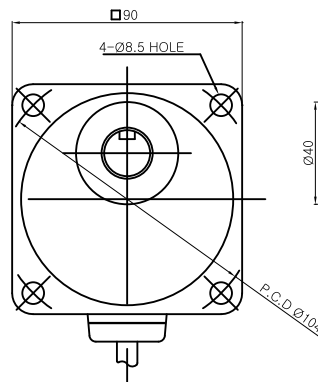
AC voltage input

### DIMENSIONS

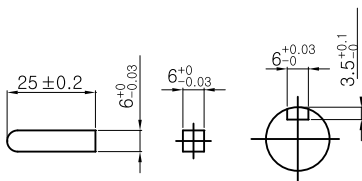
**K9BS200N** ■  
(weight : 1.5Kg)



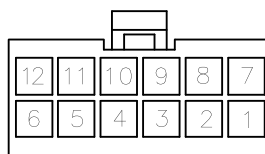
**K9BH200N** ■ + **K9H** □B  
(weight : 3.0Kg)



\* KEY · KEY GROOVE



\* CONNECTOR HOUSING (VIEW A)



\* PIN MAP

PIN No.	COLOR	SIGNAL
1	GRAY	W
2	-	-
3	-	-
4	ORANGE	Hw
5	WHITE	Hv
6	BROWN	Hu
7	PURPLE	V
8	BLUE	U
9	GREEN & YELLOW	EARTH
10		(DRAIN)
11	YELLOW	Vcc
12	GREEN	Ground

MOTOR PRODUCT NAME	GEARHEAD PRODUCT NAME	DECCELERATION RATIO	L	FIXING BOLT
K9BH200N ■	K9H □B	5~20	45	M8 P1,25×75
		30~100	58	M8 P1,25×90
		200	64	M8 P1,25×95

- \* In dimension, in ■ of name represents power voltage U (single-phase 100-115V) and C (single-phase 200-230V)
- \* In □ of name, it represents a deceleration ratio.
- \* Geared motor is included with fixing bolt set (normal washer, spring washer, cube nut; 4each)