

Applications

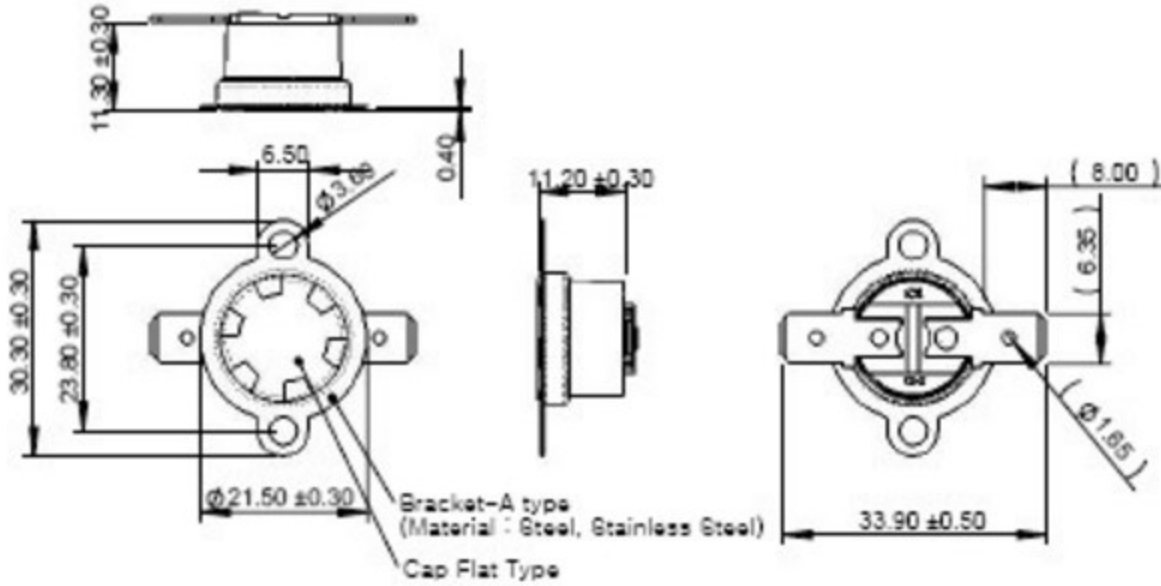
Microwave Ovens, Refrigerators, Vending Machines, Hot Water Heaters, Boilers, Tableware Dryers, etc

Function & Features

- Automatic temperature control and prevention from overheating
- Small size with high current rating and low internal resistance



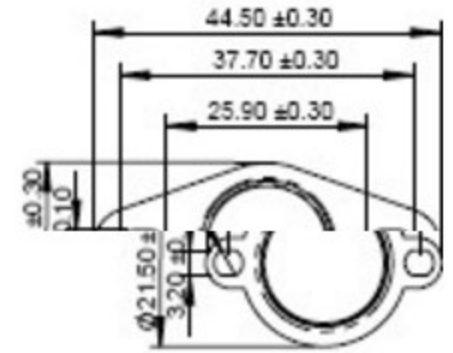
[ISOMETRIC VIEW]



BRACKET TYPE



BRACKET-RING TYPE
(Material : Steel)



BRACKET-L TYPE
(Material : Steel)

TERMINAL TYPE

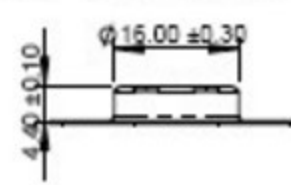


250 VERTICAL TYPE
(MATERIAL : Brass Tin 0.8t)

187 VERTICAL TYPE
(MATERIAL : Brass Tin 0.5t)

187 VERTICAL TYPE
(MATERIAL : Brass Tin 0.8t)

CAP- FLANGE TYPE



- * TERMINAL PART : Fasten #250, #187
- * TERMINAL APPERANCE : HORIZONTAL TYPE, VERTICAL TYPE
- * BRACKET PITCH : 23.8mm, 30.0mm

Safety Certificates

UL File No. E126365
CSA File No. 085546
VDE File No. 40009641

Specification

Rated Current	AC 125V / 15A, 250V / 7.5A
Temperature Range	-20°C to +150°C
Reset_Temperature	10°C Min.
On/Off Differential	Min. 10°C, Normal 15 to 25°C
Temp. Tolerance	Operating or Reset Temp. ±3°C Min. (Standard ±5°C)
Life Cycle	100,000 cycles Min. at rated load
Dielectric Withstand	AC 1.8kV for 1second
Insulation Resistance	100MΩ Min.
Internal Resistance	100mΩ Max. (including lead wires resistance)