

### Applications

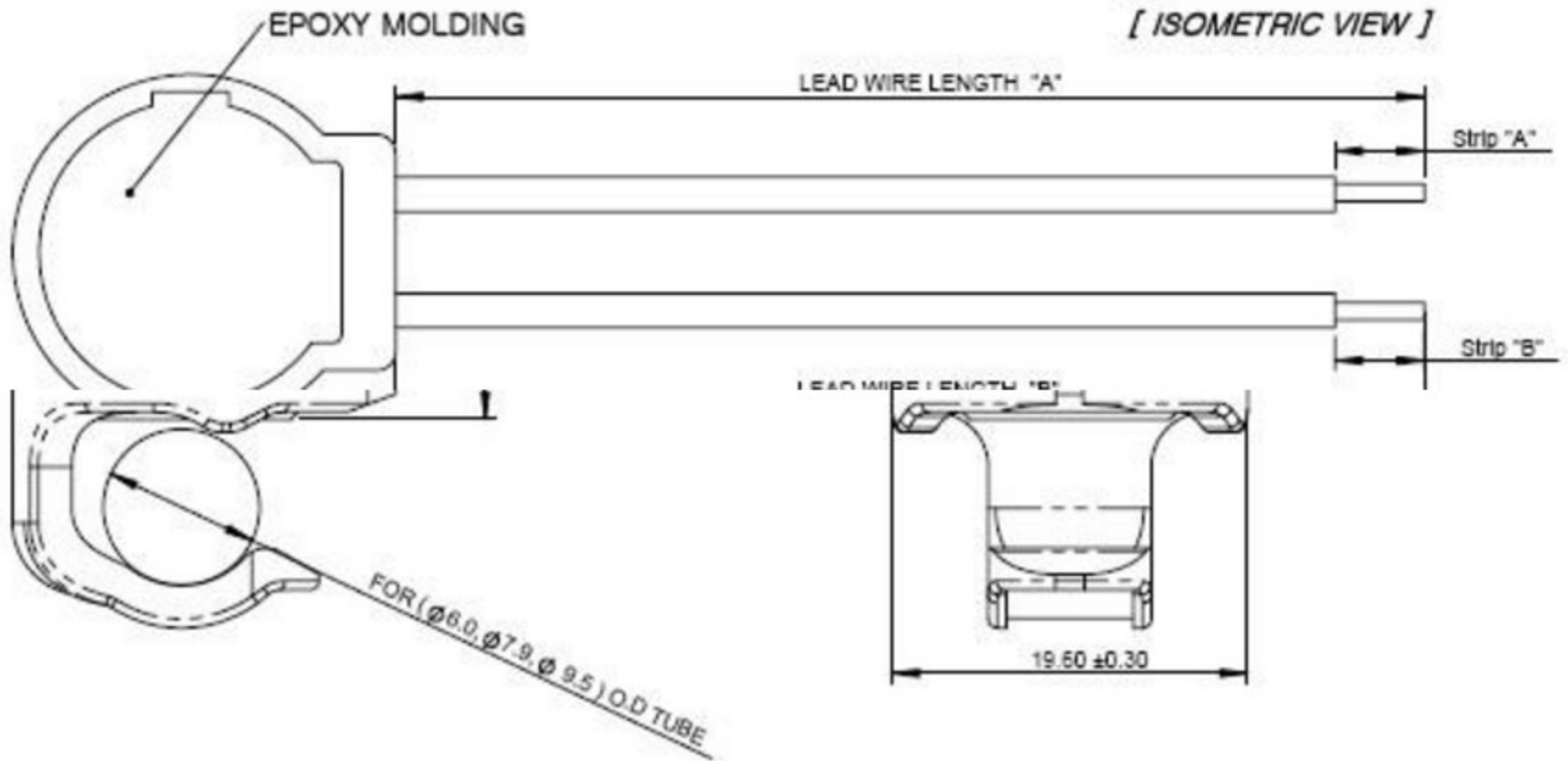
Refrigerators, Show Cases(cold storage, freezing, thermal insulation), Ice Maker, etc

### Function & Features

- Temperature automatic control for removing frost and for protecting the frozen rupture in the cold storage or freezing systems
- Easy to install at the small or narrow space as slim shape
- Small size with high contacting capacitance
- Available waterproof and dustproof types with welding vinyl tube on the part



[ ISOMETRIC VIEW ]



### Safety Certificates

UL File NO. E126365  
VDE File NO. 40003392

#### Specification

Rated Current	AC 125V / 10A, 250V / 5A
Temperature Range	-20°C to +90°C

#### Specification

Rated Current	AC 125V / 10A, 250V / 5A
Temperature Range	-20°C to +90°C
On/Off Differential	10°C Min.
Temp. Tolerance	Operating or Reset Temp. ±3°C Min. (Standard ±5°C)
Life Cycle	100,000 cycles Min. at rated load
Dielectric Withstand	AC 1.8kV for 1second
Insulation Resistance	100MΩ Min.
Internal Resistance	100mΩ Max. (including lead wires resistance)
Lead Wire Spec.	UL1015 AWG18 STANDED.